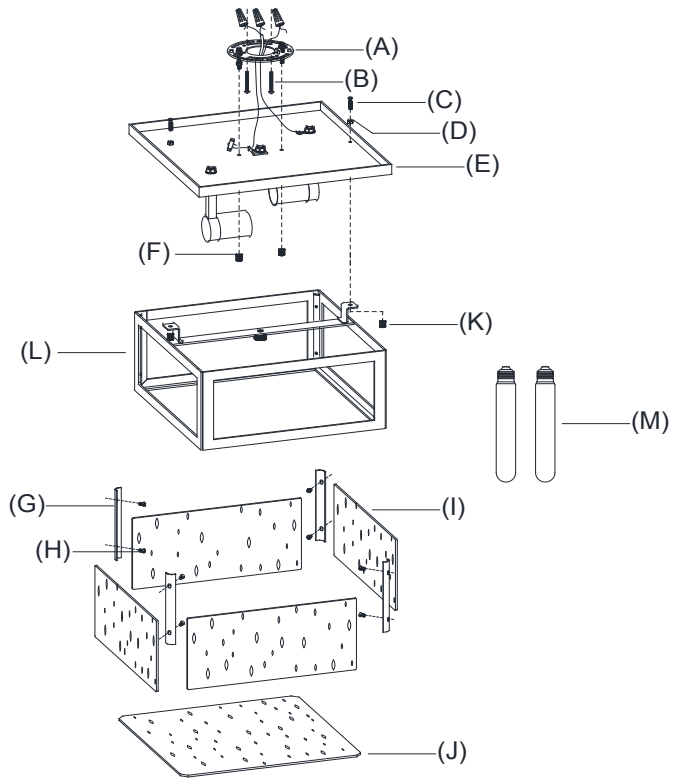


## LUMET BOX FLUSHMOUNT

### PARTS ENCLOSED

- (A) Mounting Plate (1)
- (B) Mounting Screws (2)
- (C) Bolts (2)
- (D) Nuts (2)
- (E) Fixture Base (1)
- (F) Cap Nuts (2)
- (G) Angle Steel Bars (4)
- (H) Set Screws (8)
- (I) Glass Panels (4)
- (J) Glass Panel (1)
- (K) Cap Nuts (2)
- (L) Lantern Box (1)
- (M) Bulbs (2)



## LUMET BOX FLUSHMOUNT

**IMPORTANT SAFETY INSTRUCTIONS**

INSTALLATION BY A LICENSED ELECTRICIAN IS STRONGLY RECOMMENDED.

This fixture has been rated for up to two (2) 40-Watt maximum Type T lightbulbs (M) (included) or (2) two 9-Watt compact fluorescent lightbulbs (not included). To avoid the risk of fire, do not exceed the recommended wattage.

**WARNINGS**

All wires are connected. When unpacking, be careful not to pull wires, as a bad connection may result. Do not connect electricity until your fixture is fully assembled. To reduce the risk of fire, electrical shock, or personal injury, always turn off fixture and allow it to cool prior to replacing the lightbulb. Do not touch or look directly at the bulb when fixture is illuminated. Keep flammable materials away from lit bulb.



**WARNING:** This product can expose you to lead, which is known to the State of California to cause cancer and birth defects or other reproductive harm. For more information, go to [www.P65Warnings.ca.gov](http://www.P65Warnings.ca.gov).

**THIS IS NOT A TOY AND THE PRODUCT HAS NO PLAY VALUE.**



**WARNING: STRANGULATION HAZARD**

Keep cord at least 3 ft away from cribs, bassinets, and toddler beds. Keep out of reach of children under 3.

**ASSEMBLY & INSTALLATION**

SHUT OFF THE MAIN ELECTRICAL SUPPLY FROM THE FUSE BOX OR CIRCUIT BREAKER PANEL.

1. Carefully remove all parts from the box and remove all plastic covering.
2. Remove Mounting Plate (A) from Fixture Base (E) by removing Cap Nuts (F).
3. Remove Angle Steel Bars (G) from Lantern Box (L) by removing Set Screws (H). Place Glass Panels (I and J) onto Lantern Box (L). Secure by replacing Angle Steel Bars (G) onto Lantern Box (L) and tightening with Set Screws (H).
4. Attach Mounting Plate (A) to ceiling outlet box by aligning the holes and securing with Mounting Screws (B).
5. Attach the fixture ground wire (GREEN) to the ground wire from the outlet box (usually green or bare wire) with a plastic wire connector and wrap the connection with electrical tape.
6. Connect the neutral wire (WHITE) to the neutral outlet wire (usually white) with a plastic wire connector and wrap the connection with electrical tape.
7. Connect the hot wire (BLACK) to the hot outlet box wire (usually black) with a plastic wire connector and wrap the connection with electrical tape. **DO NOT REVERSE THE HOT AND NEUTRAL CONNECTIONS; OTHERWISE, SAFETY WILL BE COMPROMISED.**
8. Attach Fixture Base (E) to the affixed Mounting Plate (A), letting the rods on Mounting Plate (A) pass through the holes on Fixture Base (E), and secure with Cap Nuts (F).
9. Insert Bulb (M) into socket.
10. Remove Cap Nuts (K) from Bolts (C). Attach assembled Lantern Box (L) to Fixture Base (E) and secure with Cap Nuts (K). Tighten the Nuts (D) if needed.
11. Assembly is complete.

**CARE INSTRUCTIONS**

Do not use polishes or cleaners on your lamp. Just wipe clean with a soft cloth.