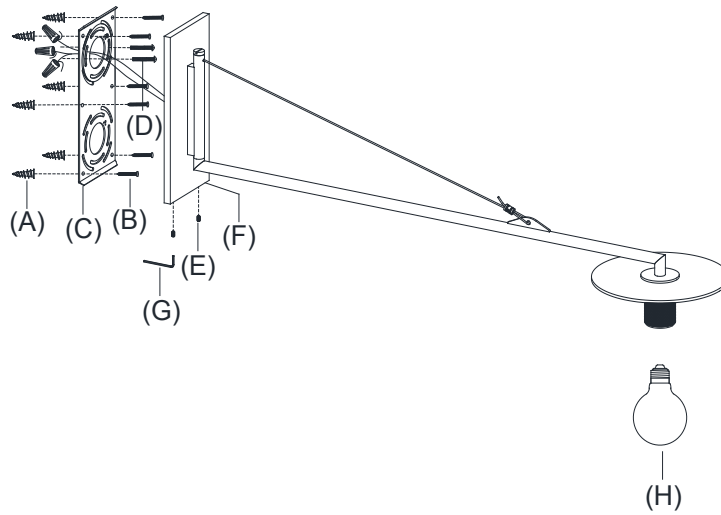


UTILITAIRE DISK SWING-ARM SCONCE

PARTS ENCLOSED

- (A) Metal Anchor (6)
- (B) Wood Screws (6)
- (C) Mounting Plate (1)
- (D) Mounting Screws (2)
- (E) Set Screws (2)
- (F) Fixture Base (1)
- (G) Allen Wrench (1)
- (H) Light Bulb (1)



UTILITAIRE DISK SWING-ARM SCNCE

IMPORTANT SAFETY INSTRUCTIONS

INSTALLATION BY A LICENSED ELECTRICIAN IS STRONGLY RECOMMENDED.

This fixture has been rated for one (1) 60-Watt maximum TYPE G bulb (H) (40-Watt G25 light bulb included) OR one (1) 13-Watt compact fluorescent bulb (not included). To avoid the risk of fire, do not exceed the recommended wattage.

WARNINGS

All wires are connected. When unpacking, be careful not to pull wires, as a bad connection may result. Do not connect electricity until your fixture is fully assembled. To reduce the risk of fire, electrical shock, or personal injury, always turn off fixture and allow it to cool prior to replacing the light bulb. Do not touch or look directly at the bulb when fixture is illuminated. Keep flammable materials away from lit bulb.



WARNING: This product can expose you to lead, which is known to the State of California to cause cancer and birth defects or other reproductive harm. For more information, go to www.P65Warnings.ca.gov.

THIS IS NOT A TOY AND THE PRODUCT HAS NO PLAY VALUE.



WARNING: STRANGULATION HAZARD

Keep cord at least 3 ft away from cribs, bassinets, and toddler beds. Keep out of reach of children under 3.

ASSEMBLY & INSTALLATION

SHUT OFF THE MAIN ELECTRICAL SUPPLY FROM THE FUSE BOX OR CIRCUIT BREAKER PANEL.

1. Carefully remove all parts from the box and remove all plastic covering.
2. Remove Mounting Plate (C) from Fixture Base (F) by removing Set Screws (E) using Allen Wrench (G) provided.
3. Place Mounting Plate (C) at desired location on the wall outlet, mark center points locations for six mounting holes with a pencil. Remove Mounting Plate (C).

ASSEMBLY & INSTALLATION CONT.

4. Drill small holes on each point location on the wall; each hole should be big enough for accommodate Metal Anchors (A). Push Metal Anchors (A) into the holes on the wall.
5. Affix Mounting Plate (A) to wall outlet box by aligning the holes and secure by inserting Wood Screws (B) into Metal Anchors and Mounting Screws (D) to the wall outlet box.
6. Gently pull the wiring from the wall outlet box and allow the wires to hang. Thread the wires through the center hole in the Mounting Plate (C).
7. Attach the fixture ground wire (GREEN) and house ground wire (usually green insulation or bare wire) to wall outlet box with the green grounding screw. Connect fixtures to corresponding house wire with a wire nut. Carefully tuck the wires back into the outlet box. IT IS IMPERATIVE THAT THE OUTLET BOX IN YOUR HOME BE PROPERLY GROUNDED.
8. Connect both neutral wires (WHITE) to the neutral outlet wire (usually white insulation) with a plastic wire connector and wrap the connection with electrical tape.
9. Connect both hot wires (BLACK) to the hot outlet box wire (usually black insulation) with a plastic wire connector and wrap the connection with electrical tape. DO NOT REVERSE THE HOT AND NEUTRAL CONNECTIONS; OTHERWISE, SAFETY WILL BE COMPROMISED.
10. Attach Fixture Base (F) to the affixed Mounting Plate (C) and secure with Set Screws (E). Tighten with Allen Wrench (G).
11. Insert recommended Light Bulb (H) into socket.
12. Restore power to outlet box and check operation of fixture.
13. Assembly is complete.

CARE INSTRUCTIONS

Do not use polishes or cleaners on your lamp. Just wipe clean with a soft cloth.