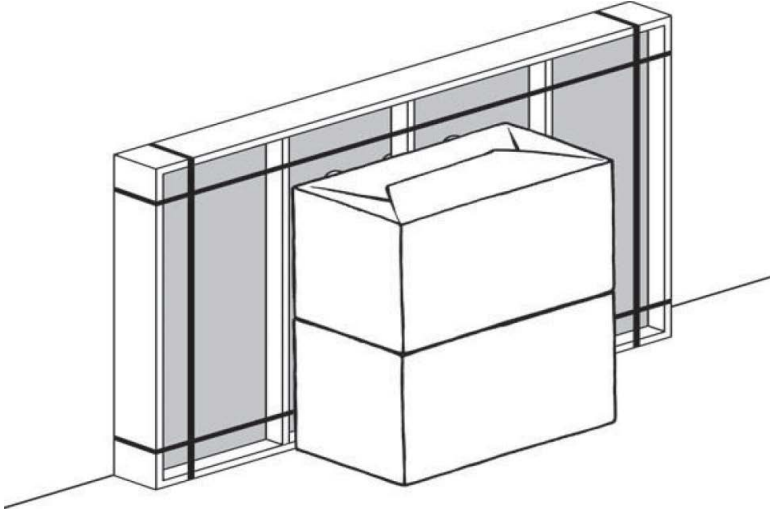
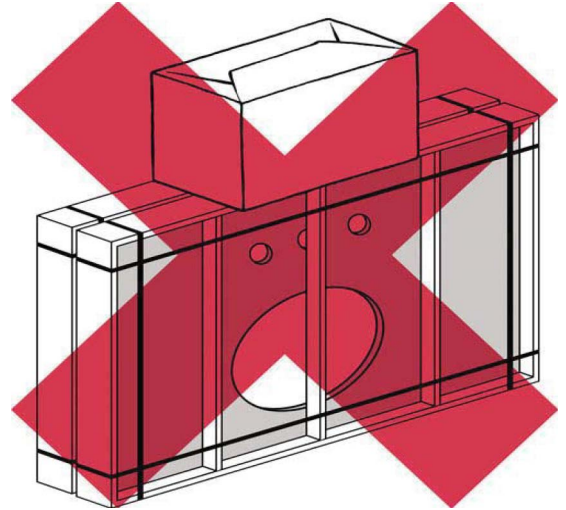


### CRATE STORAGE



- Keep stone top in it's crate until installation
- Store crate vertically in a safe location



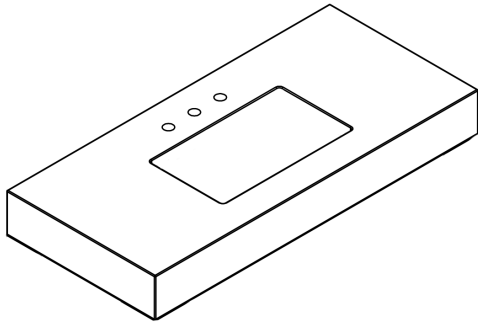
- Do not stack anything on top of crate

### TOOL AND MATERIAL REQUIREMENTS

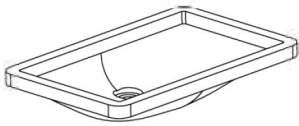
- Flat, non-abrasive work surface (blanket or smooth cardboard)
- Sealant
- Carpenter's level

## PARTS LIST

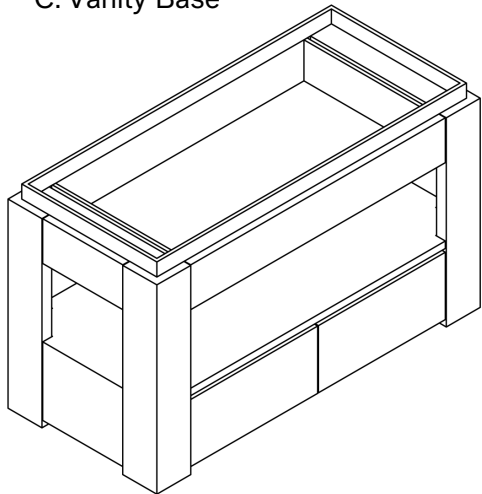
A. Stone Top (Oval or Rectangular)



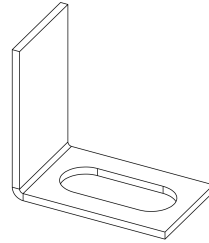
B. Basin (Oval or Rectangular)



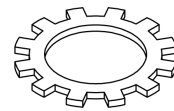
C. Vanity Base



D. Mounting Bracket (x4)



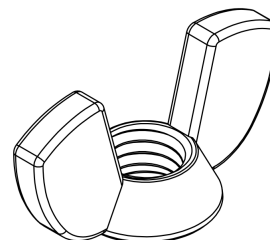
E. Lock Washer (x4)



F. Threaded Rod (x4)

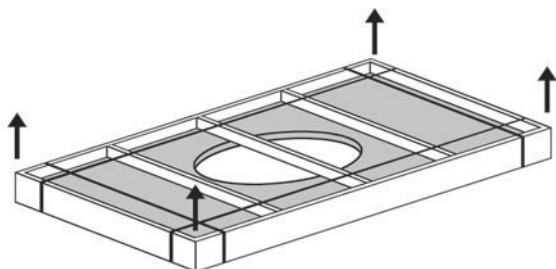


G. Wing Nut (x4)

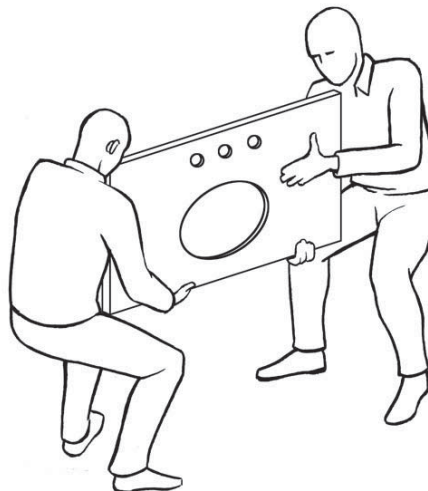


### STONE TOP UN-PACKING AND TRANSPORT

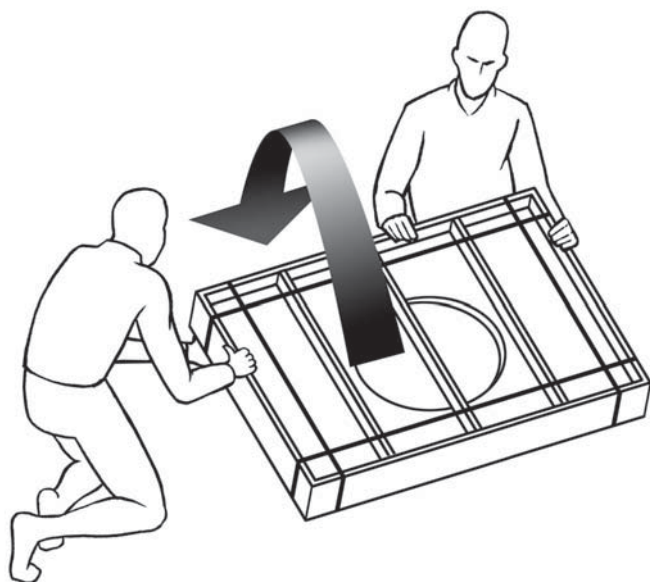
WHEN MOVING STONE TOP, ALWAYS USE A TWO-MAN CREW



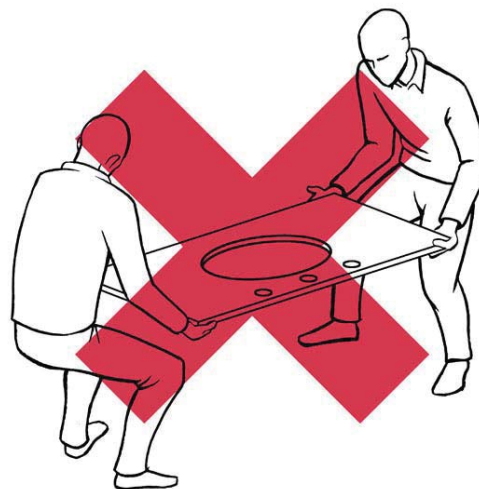
Remove metal bands, unscrew the slats or lid, and lift the Stone Top out of the crate.



Always carry Stone Top vertically

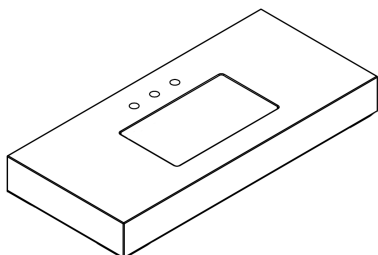


Carefully, without allowing any freefall, rotate the crate from vertical to flat.



Do not carry Stone Top horizontally as it increases the risk of breakage or cracking.

### STONE TOP INSPECTION



Inspect the Stone Top for cracks or defects. If defects are detected, do not install and please call 877-777-7059. If no defects are detected; clean Stone Top with a soft cloth.

### CLEANING AND MAINTENANCE INSTRUCTIONS

- Avoid abrasive and harsh chemical cleaners.
- RH Stone Tops have a honed finish, hand polished edges, and are sealed twice with inert silicone sealant
- Stone Tops should be re-sealed annually

### STONE TOP INSTALLATION



Caution! Installation between two walls requires special care.

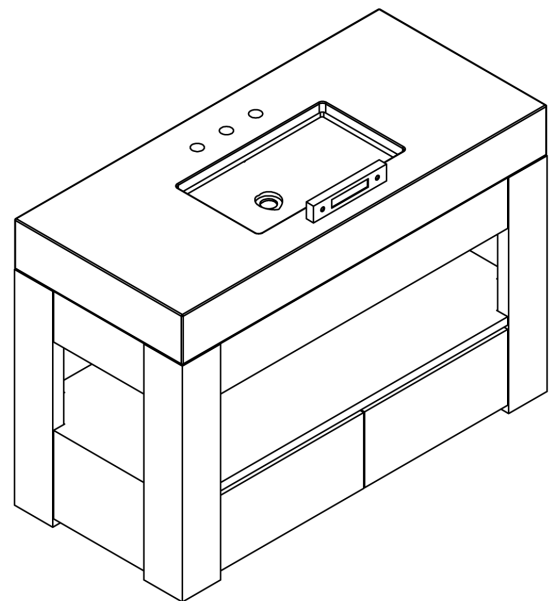
If installing Stone Top between two walls, stop here and follow the next set of instructions.

#### Standard Stone Top Installation Guidelines

1. Apply a continuous bead of sealant to the top face of the Sink Basin [B] rim where the Stone Top[A] makes contact with the basin.
2. Using a two-man crew, lift stone top and set in on top of the Vanity Base [C].

#### Stone Top Installation Between Two Walls

1. Apply a continuous bead of sealant to the top face of the Sink Basin [B] rim where the Stone Top [A] makes contact with the basin.
2. Using a two-man crew, lift stone top and set it's rear edge on the back of the Vanity Base [C] (closest to rear wall) -- see below illustration.
3. Lower front of Stone Top onto the vanity base, making sure both ends are lowered at the same rate.
4. Do not shimmy, twist, or turn the stone top while lowering as this increases the risk of breakage.



# RH

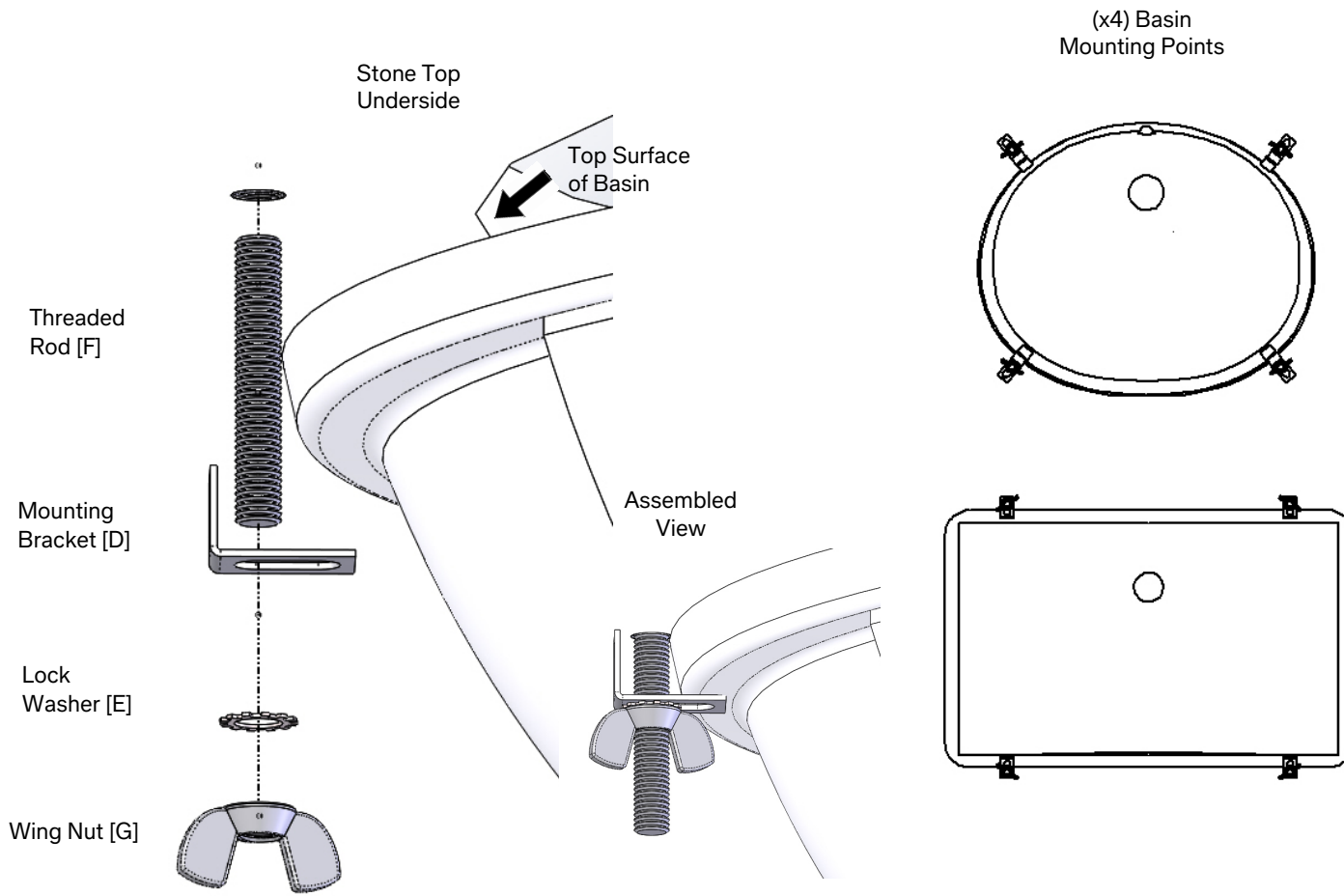
## ASPEN FRENCH OAK SINGLE EXTRA-WIDE WASHSTAND

### PRIMARY INSTALLATION REQUIREMENTS:

- Professional two-man crew.
- Water supply and drain piping installed according to local plumbing and building codes (sold separately).
- Wall and floor are square and plumb at installation site.
- Vanity Base installed square and plumb with wall and floor. Vanity Base also needs to be level.
- Ensure Stone Top is the correct size to match the Vanity Base.

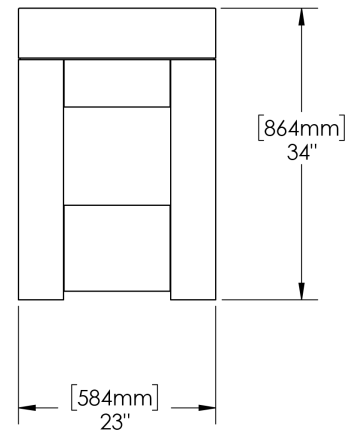
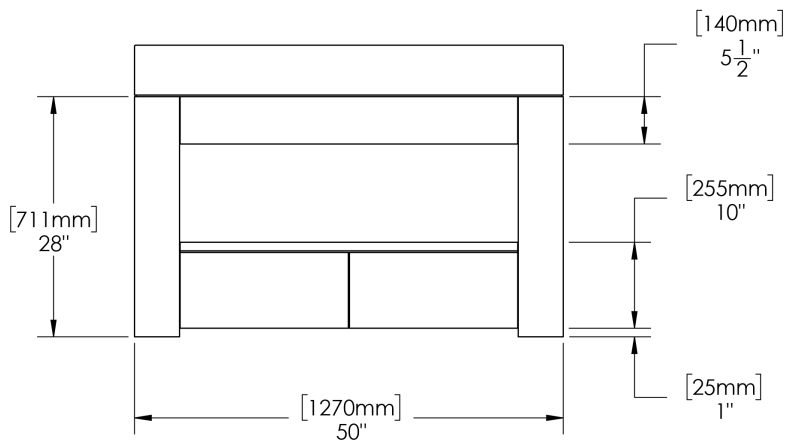
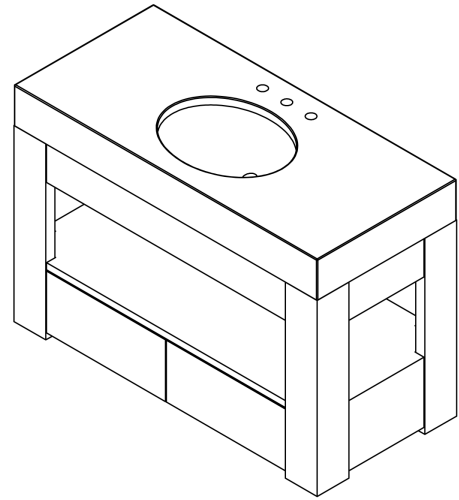
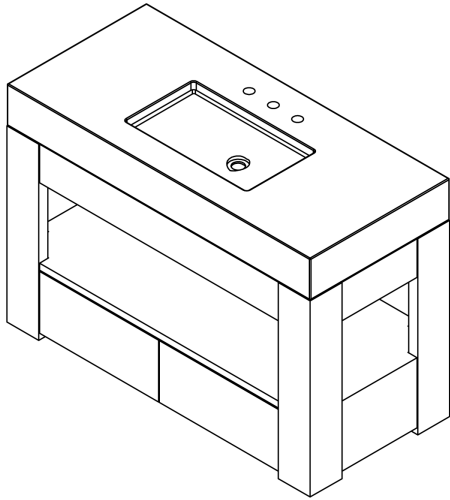
### BASIN INSTALLATION STEPS:

1. Apply a continuous bead of silicone sealant to the top surface of lavatory basin rim where it comes in contact with the underside of the Stone Top [A] (see illustration below).
2. Position Basin [B] in it's final location and make sure overflow of basin is located on the same side as the pre-drilled faucet holes in the Stone Top.
3. Align the Threaded Rod [F], Locking Washer [E], and Wing Nut [G] with pre-installed threaded insert in the stone top and secure on all 4 points with the Mounting Bracket [D].



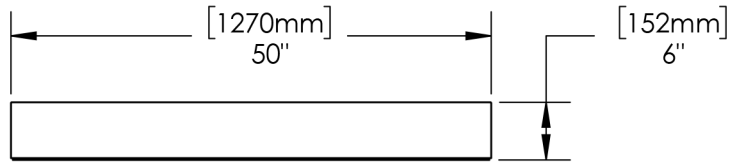
# RH

## ASPEN FRENCH OAK SINGLE EXTRA-WIDE WASHSTAND

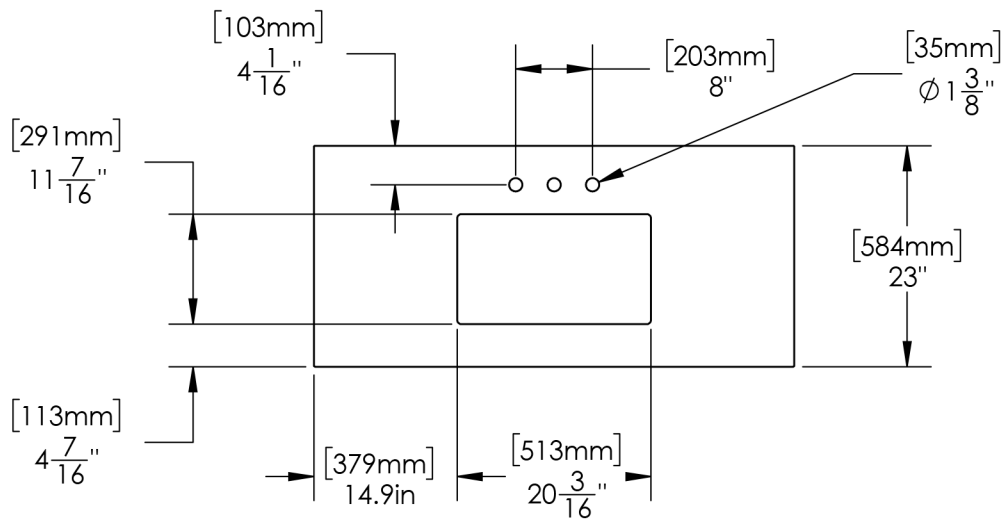


# RH

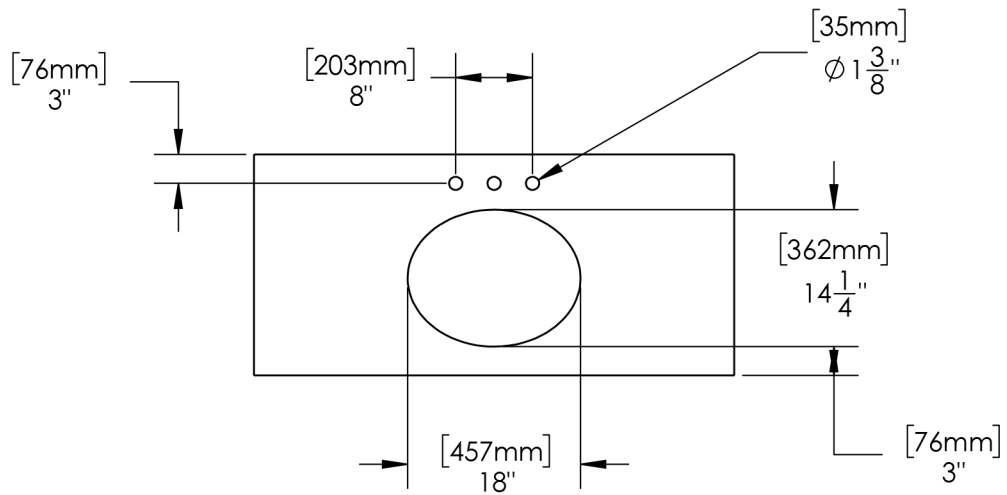
## ASPEN FRENCH OAK SINGLE EXTRA-WIDE WASHSTAND



### RECTANGULARSTONE TOP

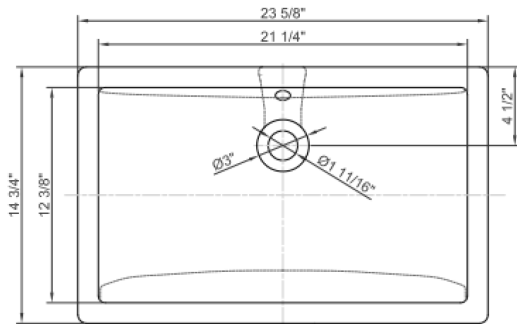


### OVALSTONE TOP

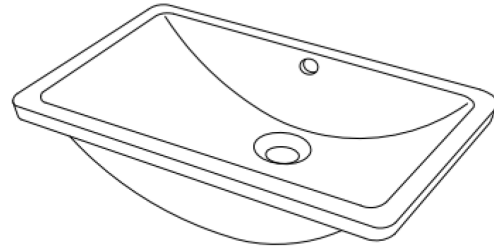


## ASPEN FRENCH OAK SINGLE EXTRA-WIDE WASHSTAND

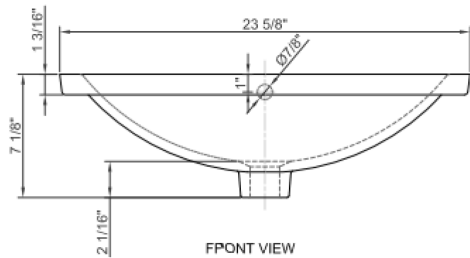
### RECTANGULAR BASIN



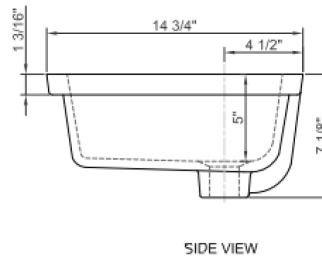
TOP VIEW



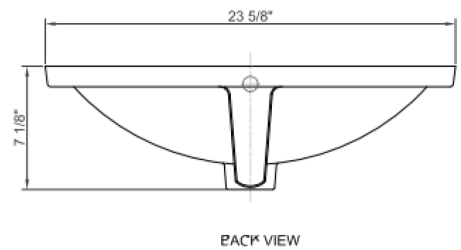
3D VIEW



FRONT VIEW

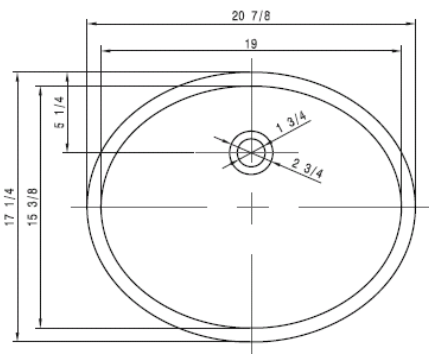


SIDE VIEW

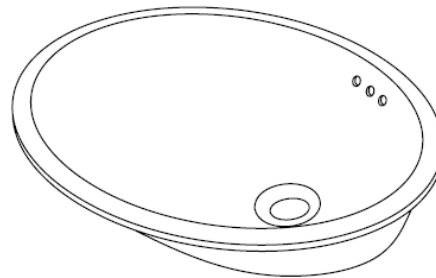


BACK VIEW

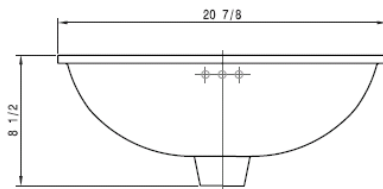
### OVAL BASIN



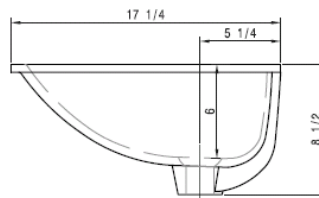
TOP VIEW



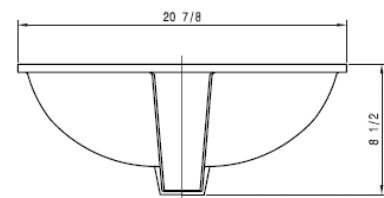
3D VIEW



FRONT VIEW



SIDE VIEW



BACK VIEW