

RESTORATION HARDWARE

Thank you for purchasing Restoration Hardware Lighting. Our assortment is crafted with the highest quality details in mind and each collection is clad in one of our signature finish options. Each item's surface is sealed which eliminates the need for polishing and ensures the lasting brilliance of your piece for years to come.

PARTS ENCLOSED:

- (A) MOUNTING PLATE
- (B) MOUNTING PLATE SCREW (X2)
- (C) BACKPLATE
- (D) BACKPLATE SCREW (X4)
- (E) SOCKET (X2)
- (F) CANDLE FOLLOWER (x2)
- (G) SHADE
- (H) WIRE NUT (X2)

IMPORTANT SAFETY INSTRUCTIONS:

*These instructions are provided for your safety. It is very important that they are read completely before beginning the installation of your fixture.

*DIRECT WIRE FIXTURES: WE STRONGLY RECOMMEND INSTALLATION BY A LICENSED ELECTRICIAN.

This fixture has been rated for two (2) 60W MAX. B10 candelabra base bulbs. To avoid risk of fire, do not exceed the recommended wattage.

WARNINGS:

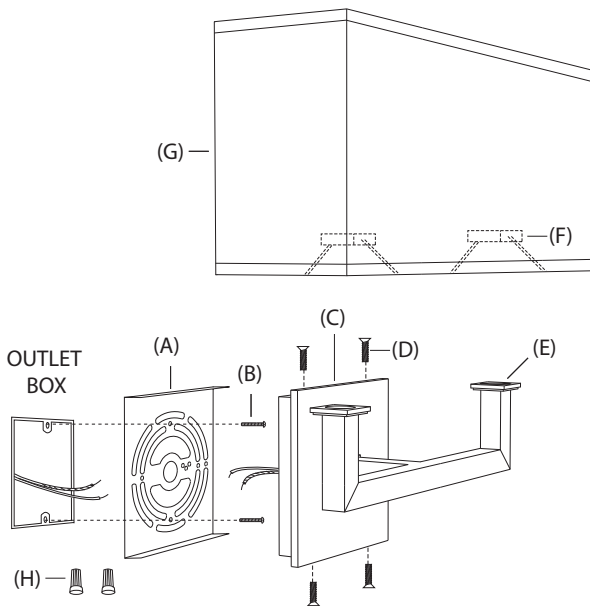
Turn off power (unplug from the wall outlet) before replacing the bulb(s), making sure the bulb(s) had sufficient time to cool down.

DO NOT subject the lamp to any shock while lit as shattering of bulb may result.

TO ASSEMBLE:

1. SHUT OFF THE MAIN ELECTRICAL SUPPLY FROM THE MAIN FUSE BOX/ CIRCUIT BREAKER.
2. Remove fixture and all parts from carton. Do not throw away any parts.
3. Remove all packaging material from lamp.
4. Remove mounting plate (A) from backplate (C) by removing backplate screws (D).
5. Guide wiring from wall outlet through center hole in mounting plate (A). Affix mounting plate (A) to wall outlet using mounting plate screws (B) provided.
6. Lift fixture to exposed wiring from wall outlet and make proper electrical connection. A LICENSED ELECTRICIAN IS RECOMMENDED.
7. Attach ground wire from fixture (green or copper in color) to ground wire from outlet box.
8. Attach hot wire from fixture (black in color or smooth side of wire) to hot wire from outlet box. Fasten wires together with wire nut (H) and tightly wrap connection with electrical tape.
9. Attach neutral wire from fixture (white in color or ribbed side of wire) to neutral wire from outlet box. Fasten wires together with wire nut (H) and tightly wrap connection with electrical tape.
10. Slide backplate (C) over mounting plate (A). Align screw holes in backplate (C) with screw holes in mounting plate (A). Secure backplate (C) to mounting plate (A) by inserting backplate screws (D).
11. To install shade (G), slide candle followers (F) (located inside shade (G)), over sockets (E). Make sure candle followers (F) sit level atop sockets (E).
12. Install two (2) 60W MAX. B10 candelabra base bulbs (included) into sockets (E). NOTE: Pass bulbs down through top of shade (G) when installing bulbs into sockets (E).

NOLAN DOUBLE SCONCE



CARE INSTRUCTIONS:

To clean, use a soft cloth only. DO NOT use any chemical or abrasive cleaners.