

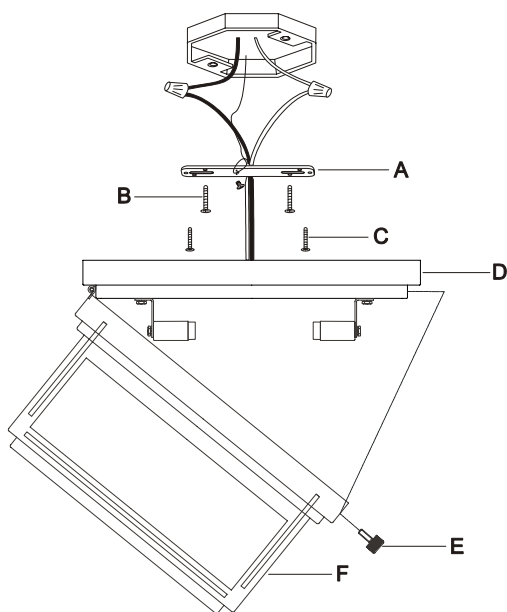
RESTORATION HARDWARE

Thank you for purchasing Restoration Hardware Lighting. Our assortment is crafted with the highest quality details in mind and each collection is clad in one of our signature finish options. Each item's surface is sealed which eliminates the need for polishing and ensures the lasting brilliance of your piece for years to come.

PARTS ENCLOSED:

- (A) Mounting bar
- (B) Outlet box screws
- (C) Mounting screws
- (D) Canopy
- (E) Enclosed screws
- (F) Glass frame

Dalton Medium



Direct Wire Installation

IMPORTANT SAFETY INSTRUCTIONS:

WE RECOMMEND INSTALLATION BY A LICENSED ELECTRICIAN. This fixture has been rated for up to (2) 60-watt maximum Type B bulbs (provided).

To avoid the risk of fire, do not exceed the recommended wattage.

WARNINGS:

All wires connected. When unpacking, be careful not to pull wires as a bad connection may result. Do not connect electricity until your lamp is fully assembled. To reduce the risk of fire, electrical shock or personal injury, always turn off lamp and allow it to cool prior to replacing light bulb. Do not touch bulb when fixture is turned on or look directly at lit bulb. Keep flammable materials away from lit bulb.

TO ASSEMBLE:

1. Carefully remove all parts from the box and remove all plastic covering.
2. Turn OFF power to the junction box where the lamp will be installed.
3. Affix mounting bar (A) to ceiling outlet box with (2) outlet box screws (B), thread (2) mounting screws (C) into mounting bar (A).
4. Making the connections: (2 people recommended for the remaining steps) Attach ground fixture wire to either the ground screw on mounting bar (A) or to the ground wire in the ceiling outlet box (usually GREEN or COPPER in color). If attaching to ground wire in outlet box, fasten together with a plastic wire connector and tightly wrap with electrical tape. IT IS IMPERATIVE THAT THE OUTLET BOX IN YOUR HOME BE PROPERLY GROUNDED.
5. Connect the neutral (WHITE or RIBBED side) fixture wire to the neutral (usually WHITE) wire from the outlet box. Fasten wires together with a plastic wire connector and tightly wrap connector with approved electrical tape.
6. Connect the hot (BLACK or SMOOTH side) fixture wire to the hot (BLACK) wire from the outlet box. Fasten wires together with a plastic wire connector and tightly wrap connector with electrical tape.
7. Push wires back into the ceiling outlet box.
8. After wires are connected, tuck them carefully inside outlet box. Raise canopy (D) allowing for the mounting screws (C) to protrude through key slots.
9. Install (2) **Type B, Maximum 60-watt** light bulbs (provided) into socket.
10. Attach glass frame (F) to canopy (D) and secure with enclosed screws (E). Hand tightens until snug.
11. Your new fixture is now ready for use. Retain this sheet for future reference.

CARE INSTRUCTIONS:

Wipe clean using a soft, dry cloth or static duster. Always avoid using harsh chemicals and abrasives to clean fixture as they may damage the finish.