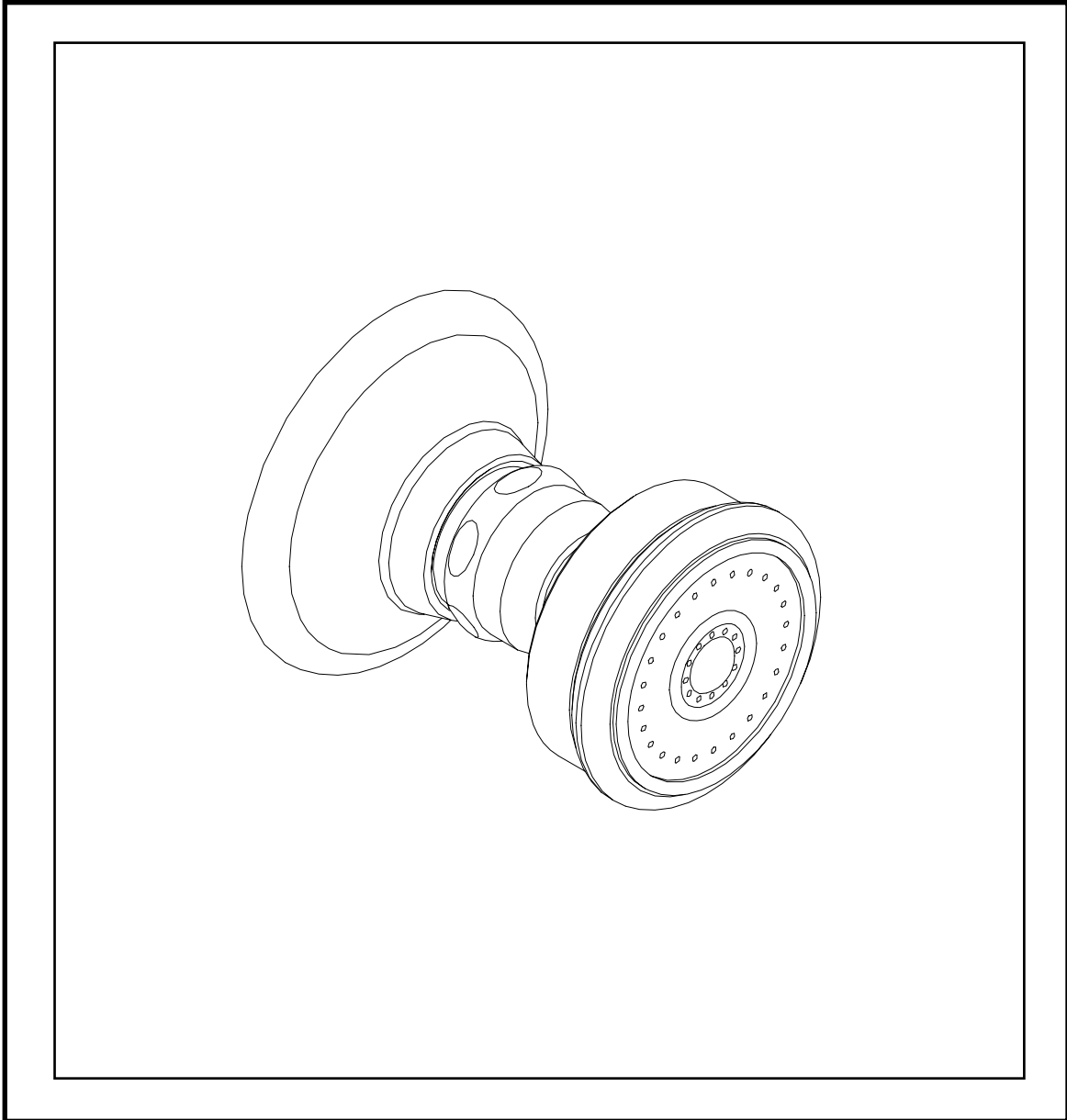




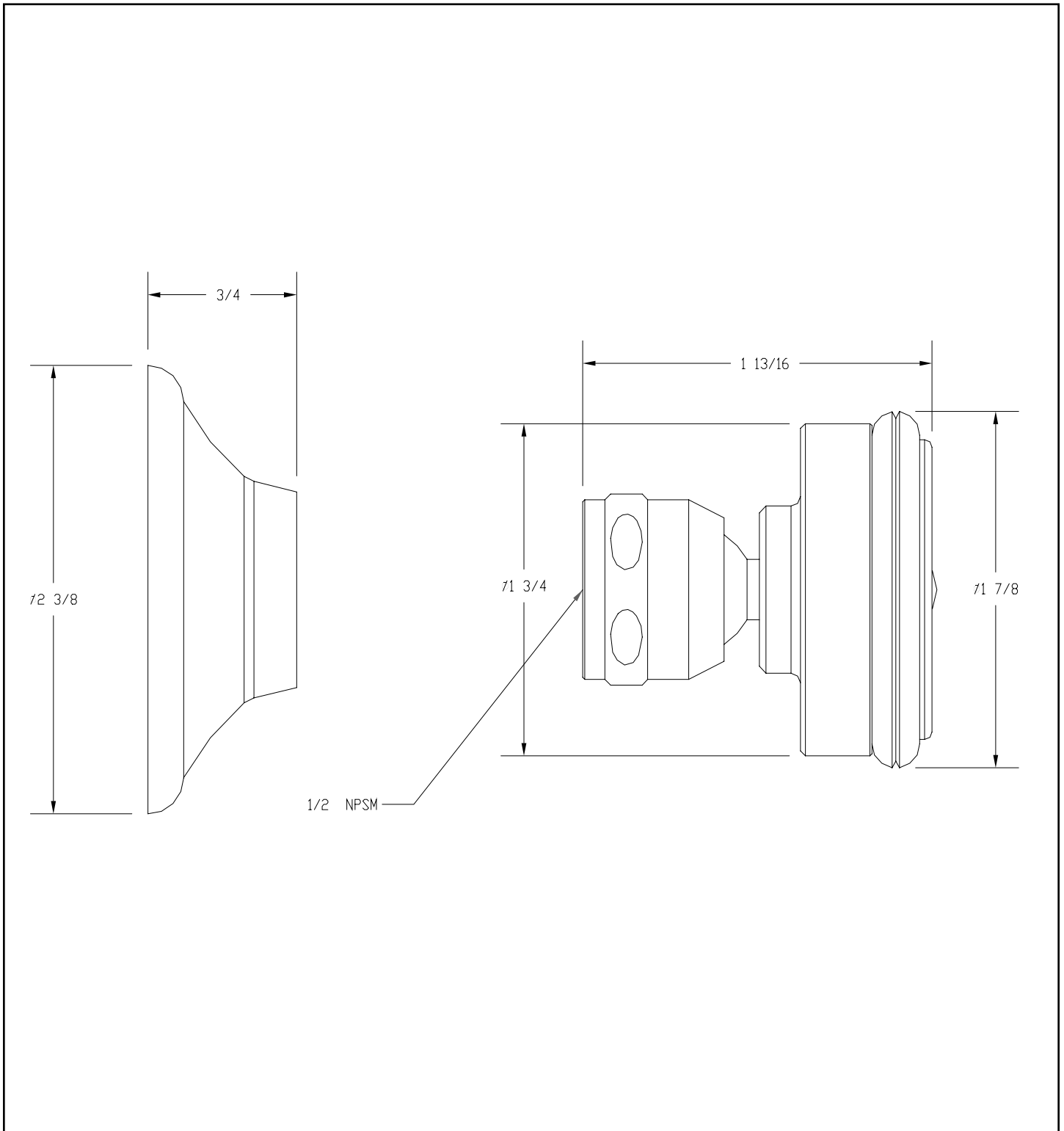
INSTALLATION INSTRUCTIONS



MODEL: BODY SPRAY

RH-217

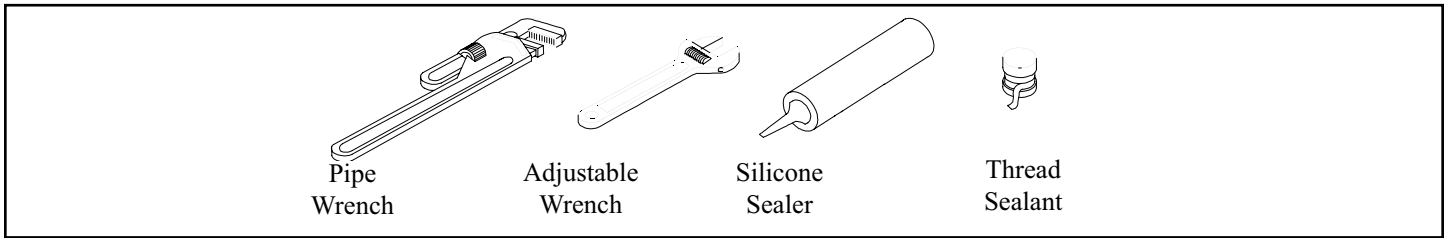
Restoration Hardware Body Spray Specification Diagram



Threaded Connection is $\frac{1}{2}$ " NPT

Dimensions are in Inches and Approximation of a Typical Installation

Common tools needed:



Installation Instructions

We Recommend Installation by a Licensed Plumbing Professional

Note: The use of petroleum based plumber's putty on our products will nullify the warranty.

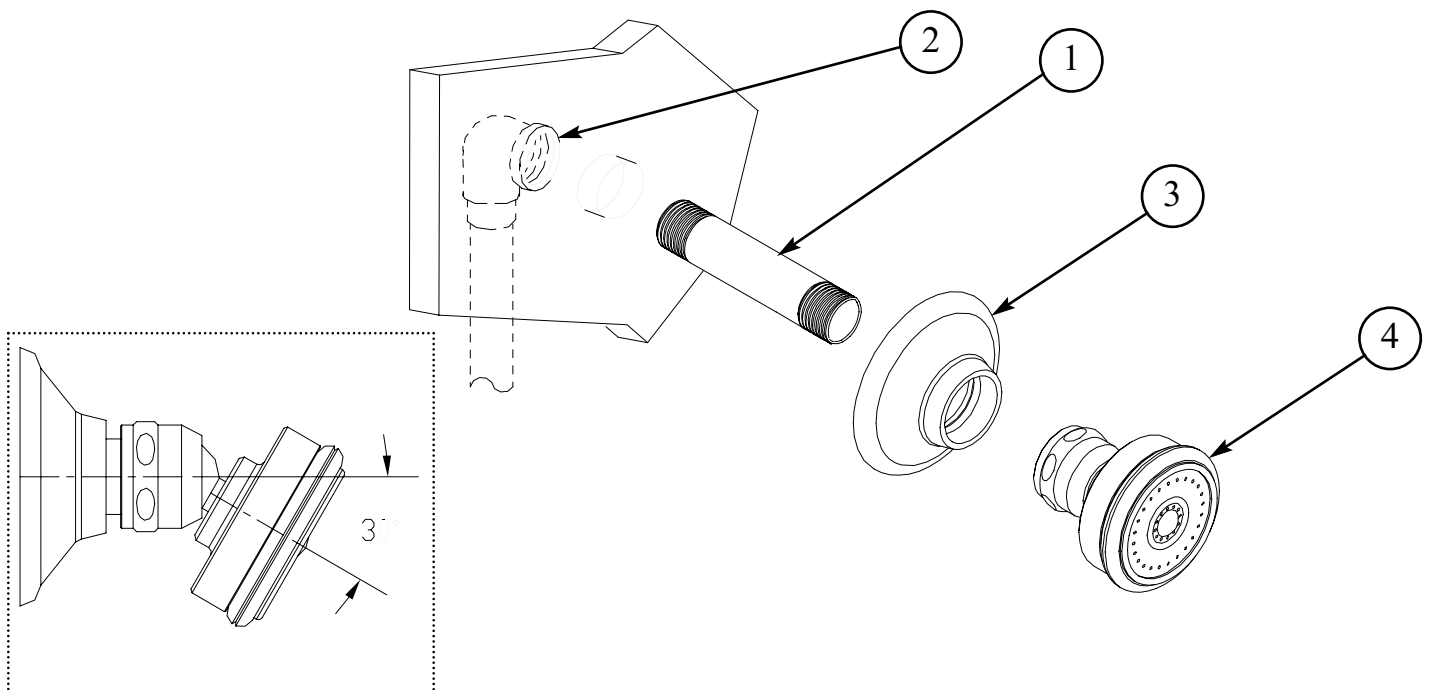
We recommend the use of clear silicone sealing materials.

All trim must be installed on finished wall surface.

Important: It is recommended that a 1/2"-pressure balance loop be plumbed for 2 or more body sprays. This technique will allow equal flow and temperature to each body spray.

Body Spray Installation:

- Based on finished wall thickness, installer must use an appropriate length 1/2" NPT NIPPLE (1), not included, for each Body Spray installation.
- Apply thread sealant to both ends of the NIPPLE (1) and thread into FITTING (2) behind finished wall.
- Place BACKPLATE (3), on NIPPLE (1), flush against finished wall.
- Attach body SPRAY (4) onto other end of NIPPLE (1).
- Turn on water supply, check for leaks and make any final adjustments required.



Care and Cleaning

The lustrous finish on your Restoration Hardware Bathware fixture should be treated with care. Improper handling or cleaning can damage the surface of any metal finish. Use a soft cloth to wipe clean. Avoid harsh abrasive cleaner. Water contains lime and other mineral deposits that will be left on the surface after the water has evaporated. You can prevent these deposits from forming by always wiping the fixture dry immediately after use.

Technical Support and Customer Service

For technical support in the installation of your Restoration Hardware Bathware fixture, please call 1-866-417-5207 weekdays between the hours of 7:00am and 4:00pm PST.

For other questions regarding your order, to order additional components of the Restoration Hardware Bathware Collection, to order replacement parts, or to address warranty issues, please contact Restoration Hardware Customer Service at 1-877-747-4671.