

RESTORATION HARDWARE

PARK PEDESTAL SINK ASSEMBLY INSTRUCTIONS

Before You Begin:

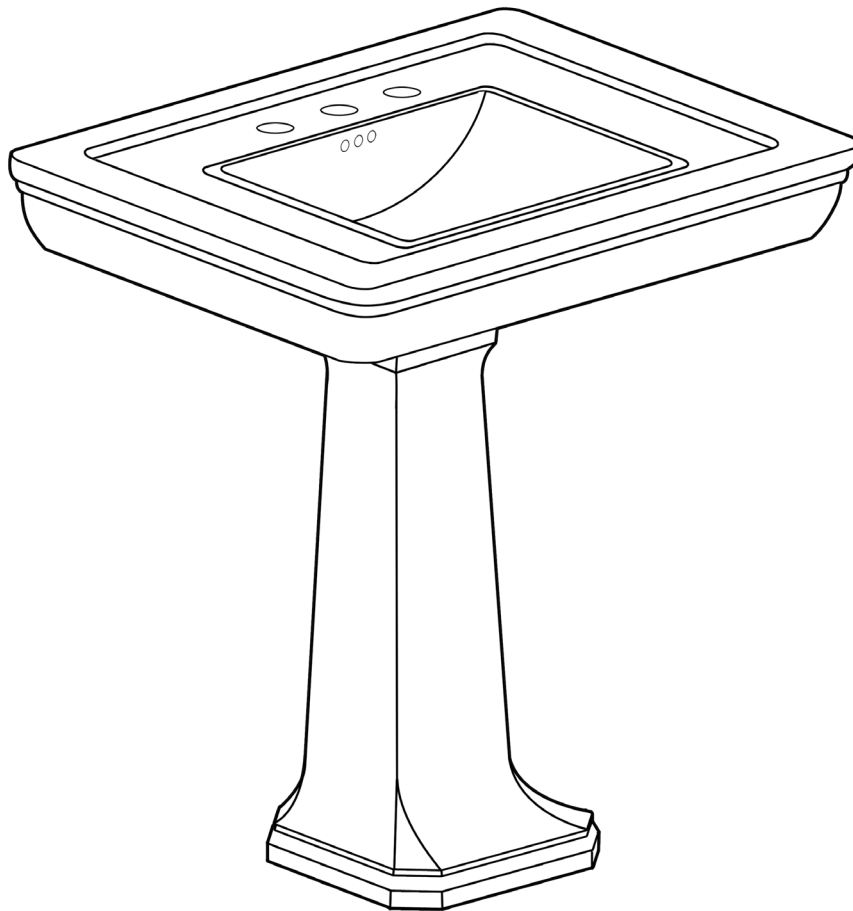
Professional installation by two-person crew is required for this fixture. Install water supply and drain piping according to local plumbing and building codes. Ensure that wall and floor are square and plumb at site of installation. Drywall anchors are provided for mounting this washstand. If site requires mounting on a surface other than drywall, suitable fastening devices must be provided. Optional metal foot pins included in hardware packet may be recessed into the finished floor for increased stability of the fixture.

Cleaning Instructions:

To maintain and protect the luster of entire product, clean with a soft, damp cloth only.

Tools and Materials Required:

1. Flat, nonabrasive work surface such as a blanket or smooth cardboard
2. Carpenter's level
3. Drill
4. Pencil
5. Hammer
6. Wrench



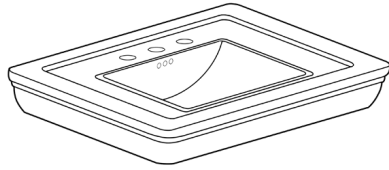
ASSEMBLED SINK

RESTORATION HARDWARE

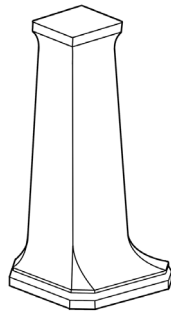
PARK PEDESTAL SINK ASSEMBLY INSTRUCTIONS

Parts List

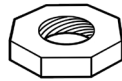
A. Lavatory basin



B. Lavatory pedestal



C. Nut (x3)



D. Metal ring



E. 20mm metal washer

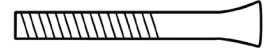


F. Cushion ring



Parts List

G. Set screw



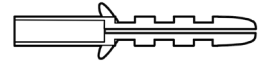
H. Set screw cover



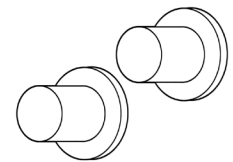
I. Threaded bolt (x2)



J. Plastic anchor (x2)



K. Plastic cushion (x2)



L. 35mm Metal washer (x2)

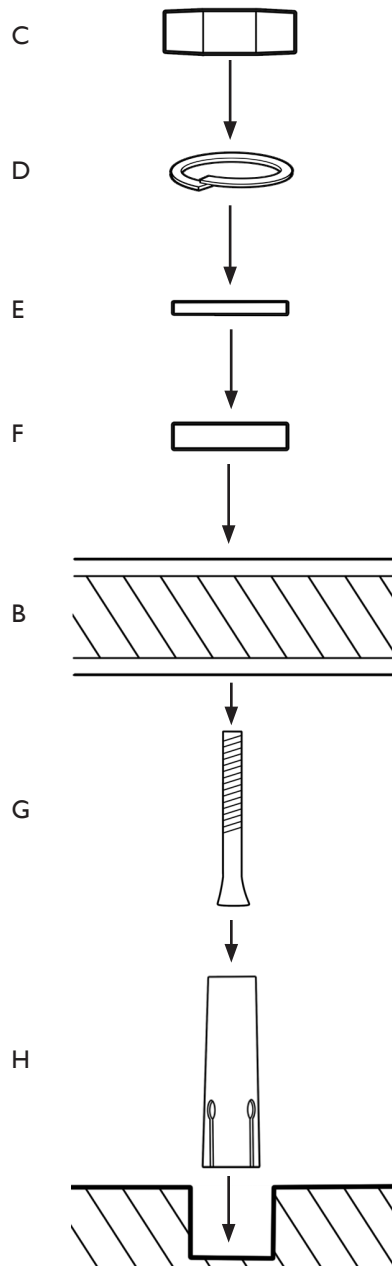


RESTORATION HARDWARE

PARK PEDESTAL SINK ASSEMBLY INSTRUCTIONS

Assembly Instructions:

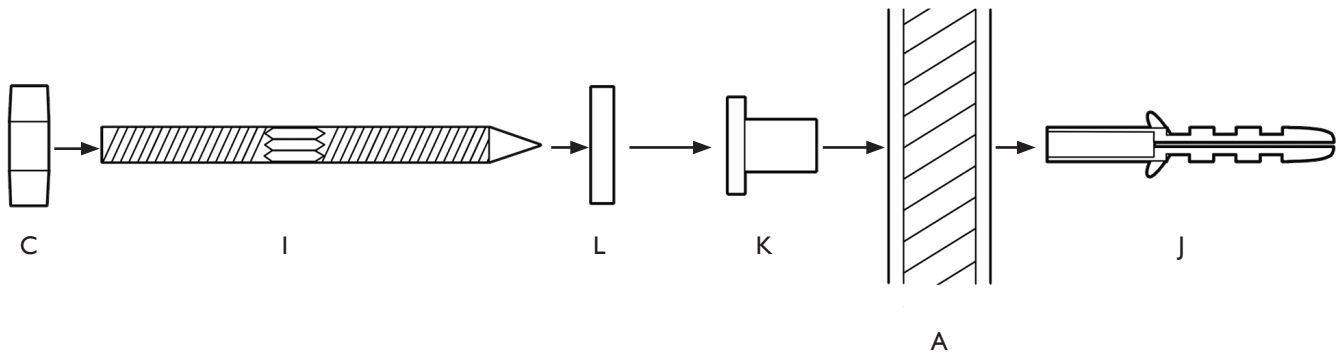
1. Working on a flat non-abrasive surface, use the pencil to mark the position on the floor where you will install the pedestal. Put the set screw (G) into set screw cover (H) and drill a 14mm hole into the floor. Insert the assembled set screw with cover into the hole. **(Do not over-tighten)**
2. Set the lavatory pedestal (B) flat against the wall making sure that the threaded bolt slides through the mounting hole in back of pedestal. Assemble the cushion ring (F), 20mm metal washer (E), metal ring (D), and nut (C). Thread the nut loosely against the base of the pedestal. **(See illustration)**



RESTORATION HARDWARE

PARK PEDESTAL SINK ASSEMBLY INSTRUCTIONS

3. **Two people are required for this step.** Using a pencil, mark position of basin mounting screw holes on wall.
4. Remove the lavatory basin (A) from pedestal base and carefully place on a flat, non-abrasive work surface.
5. Drill 12mm holes where marked and insert the plastic anchors (J). Insert the threaded bolts (I) so that you will have at least 20mm of threading sticking out past the holes in the underside of the lavatory basin.
6. Set the lavatory basin on top of the pedestal base flat against the wall making sure that the threaded bolts slide through the mounting holes in back of basin. Put a plastic cushion (K) with a 35mm metal washer (L) onto each of the threaded bolts. Thread the nuts (C) loosely against the basin. **(See illustration)**



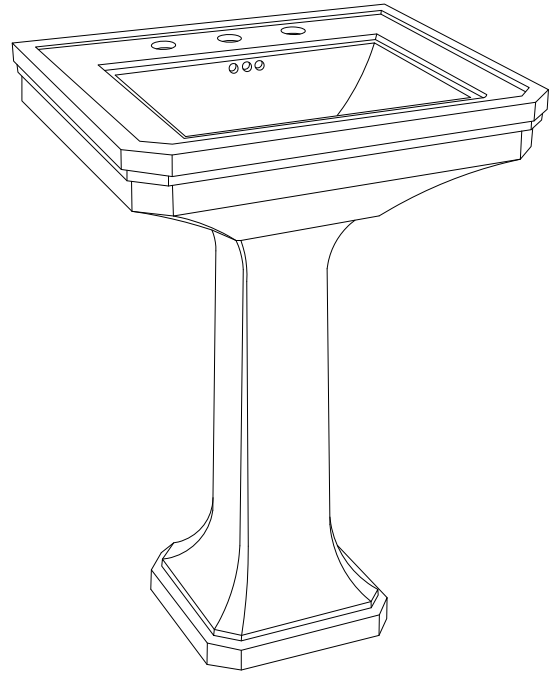
7. Examine the alignment of the lavatory basin to the wall and check to make sure it is centered. The elliptical holes in the china allow for some shifting. Check to make sure that the basin is level.
8. Tighten the nuts alternately until the lavatory basin is flush with the wall. **(Do not over-tighten as this may crack the vitreous ceramic with a porcelain enameled finish)**

Cleaning and Maintenance Instructions:

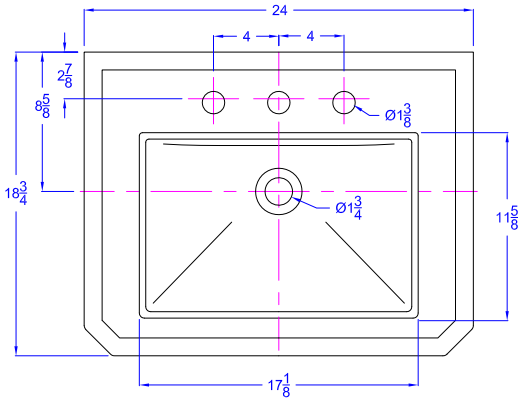
Avoid abrasive and harsh chemical cleaners.

To maintain and protect luster of console sink components, Restoration Hardware Bathroom Cleaning Products are recommended.

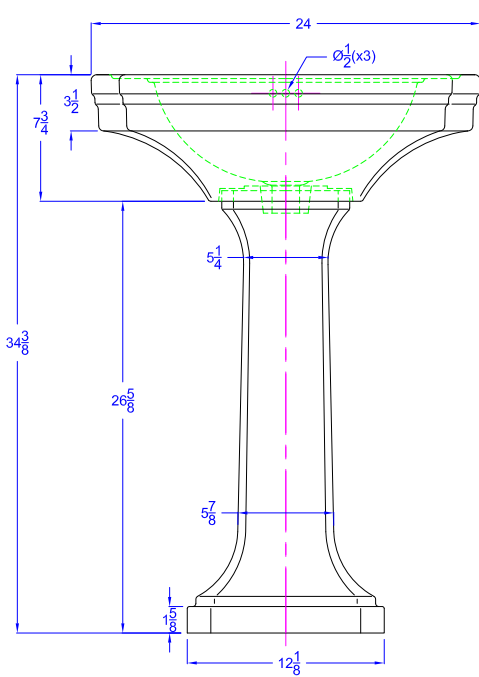
TOLERANCE: $\pm 3\%$



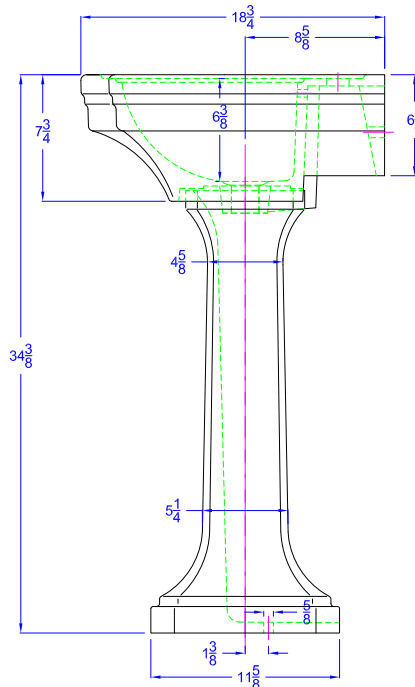
3D VIEW



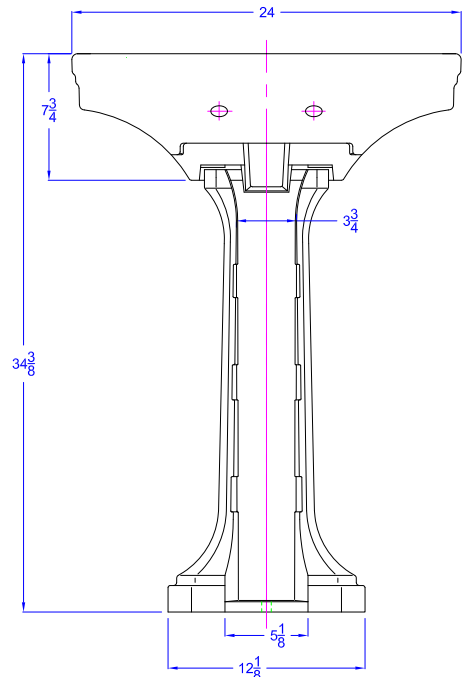
TOP VIEW



FRONT VIEW



SIDE VIEW



BACK VIEW

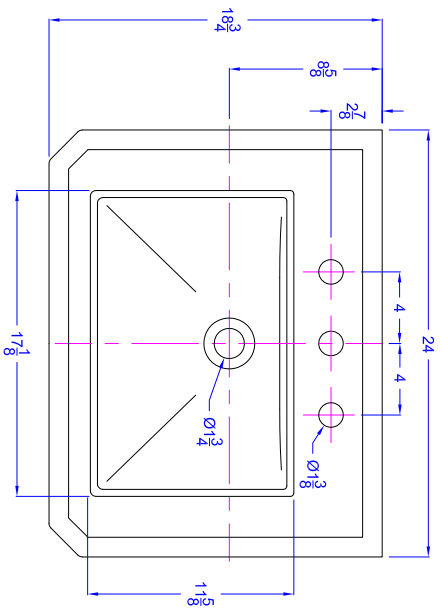
PARK PEDESTAL SINK SMALL

DRAWINGS REPRESENT ORIGINAL DESIGN SPECIFICATIONS. ACTUAL PRODUCT DIMENSIONS MAY VARY SLIGHTLY.
ALL DIMENSIONS ARE REPRESENTED IN INCHES.

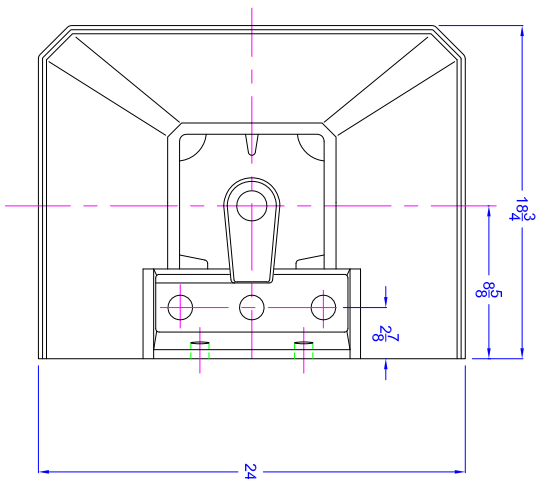
PROFESSIONAL INSTALLATION REQUIRED

Unless otherwise noted, all design and content, images, artwork, graphics, photography, text, and the like are copyrights, trademarks, trade dress, and/or intellectual property that are owned, controlled, or licensed by Restoration Hardware.

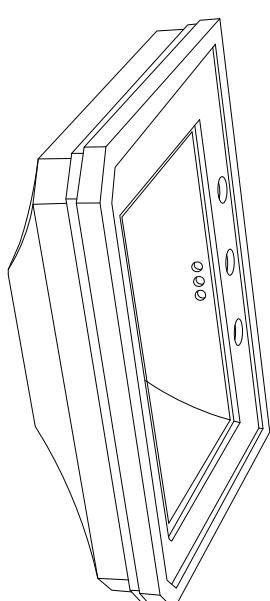
RESTORATION HARDWARE



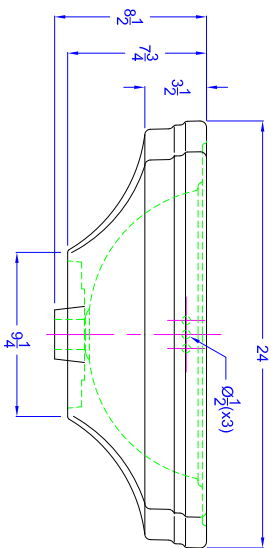
TOP VIEW



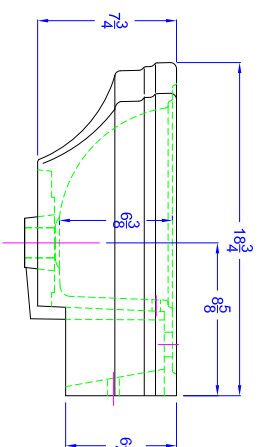
BOTTOM VIEW



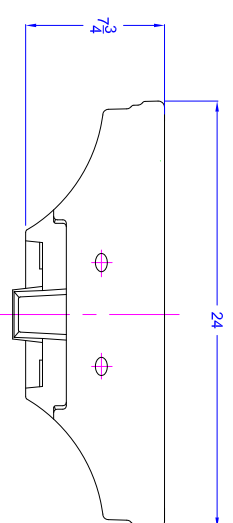
3D VIEW



FRONT VIEW



SIDE VIEW



BACK VIEW

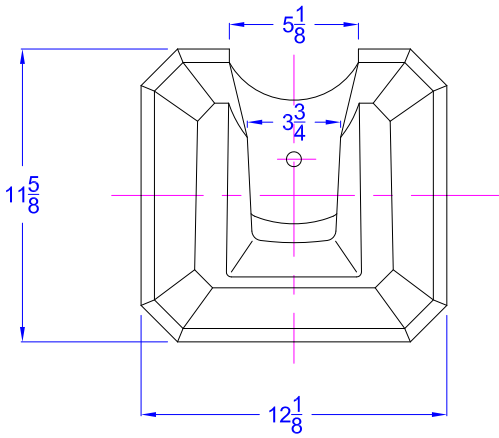
TOLERANCE: ±3%

PARK PEDESTAL SINK SMALL

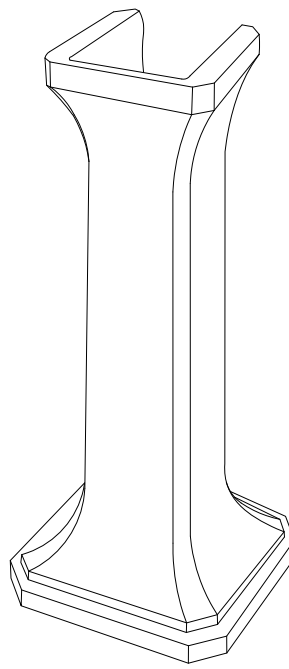
DRAWINGS REPRESENT ORIGINAL DESIGN SPECIFICATIONS. ACTUAL PRODUCT DIMENSIONS MAY VARY SLIGHTLY.
ALL DIMENSIONS ARE REPRESENTED IN INCHES.
PROFESSIONAL INSTALLATION REQUIRED

Unless otherwise noted, all design and content, images, artwork, graphics, photography, text, and the like are copyrights, trademarks, trade dress, and/or intellectual property that are owned, controlled, or licensed by Restoration Hardware.
RESTORATION HARDWARE

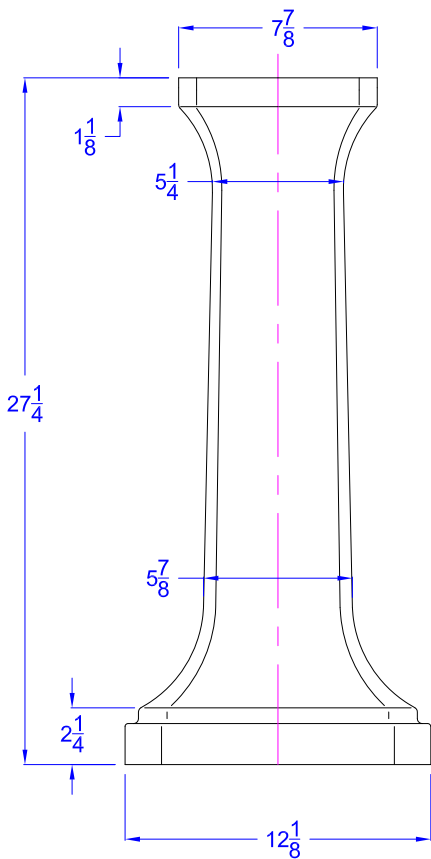
TOLERANCE: $\pm 3\%$



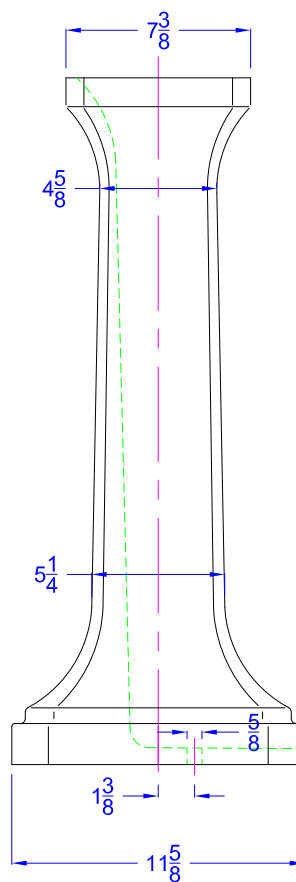
TOP VIEW



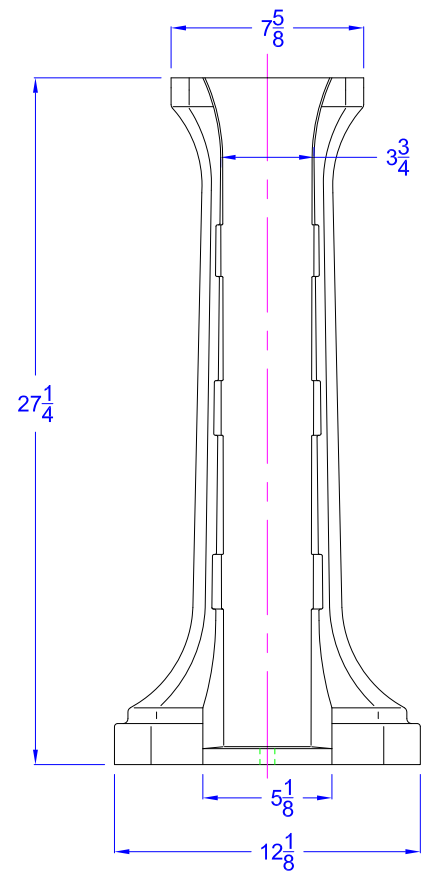
3D VIEW



FRONT VIEW



SIDE VIEW



BACK VIEW

PARK PEDESTAL SINK SMALL

DRAWINGS REPRESENT ORIGINAL DESIGN SPECIFICATIONS. ACTUAL PRODUCT DIMENSIONS MAY VARY SLIGHTLY.

ALL DIMENSIONS ARE REPRESENTED IN INCHES.

PROFESSIONAL INSTALLATION REQUIRED

Unless otherwise noted, all design and content, images, artwork, graphics, photography, text, and the like are copyrights, trademarks, trade dress, and/or intellectual property that are owned, controlled, or licensed by Restoration Hardware.

RESTORATION HARDWARE