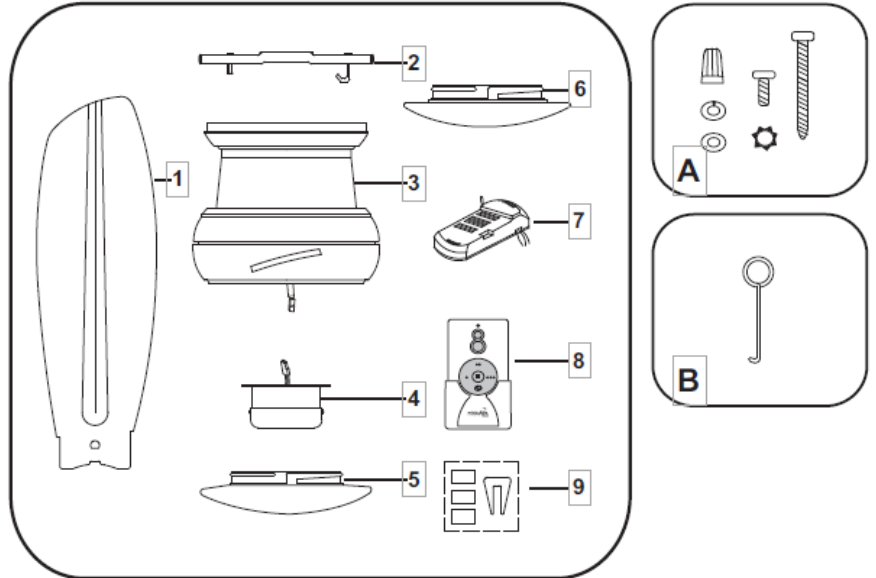


CONCEPT FLUSHMOUNT LED CEILING FAN - 44"

PARTS ENCLOSED:

1. Fan blades (3)
 2. Mounting bracket
 3. Fan motor/housing ass'y
 4. 14W LED light kit
 5. Glass shade
 6. Metal light cover (for optional use)
 7. Receiver with 6 wire nuts
 8. Hand held remote with 2 screws
 9. Balancing kit
- A. Mounting hardware:**
 #8 x 3/4" Machine screws (2) #10 x 1.5" wood screws (4) Flat washers (6) Lock washers (4)
 Wire nuts (3) Washers (2)
- B. Blade removal tool**



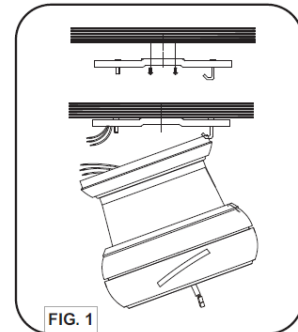
INSTALLING THE MOUNTING BRACKET

Tools Required: Phillips screw driver; slotted screw driver; step-ladder; wire cutters; electrical tape.

WARNING: All of the parts, hardware, and components (such as the hanger bracket and hanger ball) have been provided for your safety and the proper installation of your new ceiling fan. The use of other parts, hardware, or components not supplied by Minka Aire® with the fan will void the Minka Aire® Warranty.

REMEMBER to turn off the power. Follow the steps below to hang your fan properly.

- Step 1. Attach the mounting bracket to the outlet box with two screws and washers provided. Make sure the bracket is tight and secured. (Fig. 1)
- Step 2. Lift fan into position by hanging the motor assembly onto the hook from the ceiling mounting bracket allowing it to hang freely. (Fig. 1)



ELECTRICAL CONNECTIONS

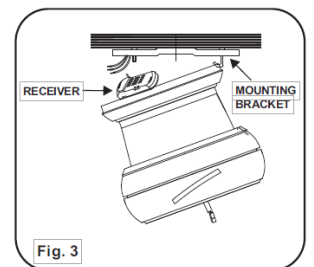
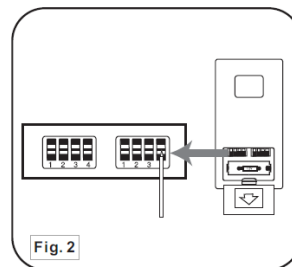
WARNING: To avoid possible electrical shock, be sure electricity is turned off at the main fuse or breaker box before wiring.

NOTE: The Aire Control® System is equipped with a learning frequency function which has 256 code combinations to prevent potential interference from other remote units. The frequency on your Receiver and Transmitter units have been preset at the factory. (Fig. 2) No frequency change is necessary. Should you desire to install another fan within the same home or area with a separate frequency code, please see the "frequency interference" troubleshooting section of this instruction manual to learn how to change the frequency.

NOTE: The receiver has been attached to the motor housing and wired for ease of installation. (Fig. 3)

NOTE: If your ceiling fan features an UP Light, connect the ORANGE wire from the fan to the ORANGE wire marked "For Up Light" from the Receiver. Otherwise, disregard this step and proceed to secure all wire connections with the plastic wire nuts provided. (Fig. 4)

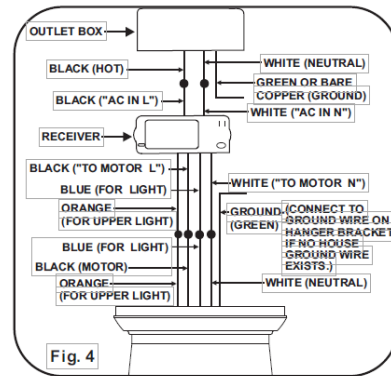
NOTE: Fan must be installed from a maximum distance of 40 feet from the transmitting unit for proper signal transmission between the transmitting unit and the fan's receiving unit.



CONCEPT FLUSHMOUNT LED CEILING FAN - 44"

Step 1. Receiver to House Supply Wires Electrical Connections: Connect the WHITE wire (Neutral) from the outlet box to the WHITE wire marked "AC in N" from the receiver. Connect the BLACK wire (Hot) from the outlet box to the BLACK wire marked "AC in L" from the receiver. Secure all wire connections with the plastic wire nuts provided. (Fig. 4)

Step 2. Connect the fans ground wire (green) located on the mounting bracket to the household ground wire. Secure wire connection with the plastic wire nut provided. (Fig. 4) After all splices are made, check to make sure there are no loose strands. As an additional precaution, we suggest to secure the plastic wire connectors to the wires with electrical tape.



FINISHING THE INSTALLATION

Step 1. Loosen two of the four screws from the mounting bracket and remove the other two.

Step 2. Remove the motor assembly from the mounting bracket hook and engage the key holes to the two screws previously loosened.

Step 3. Install the two screws previously removed and tighten all four screws.

Step 4. Remove the Hanger Ball from the Downrod Assembly by loosening the Set Screw and removing the Cross Pin. (Fig. 7)

Step 5. Carefully feed fan wires up through the downrod. (Fig. 8) Thread Downrod into the Coupling until the holes are lined up and secure with the Lock Pin and Hitch Pin previously removed, tighten Set Screws. (Fig. 9)

Step 6. Slip Coupling Cover and Canopy onto Downrod. Carefully re-install the Hanger Ball onto the Downrod being sure that it's properly positioned over the Cross Pin and the wires are not twisted, tighten Set Screw. (Fig. 9)

Step 7. Lift the Motor Assembly and place the Hanger Ball into the Hanger Bracket. Rotate the Motor Assembly as needed until the check groove from the Hanger Ball rests firmly over the registration tab from the Hanger Bracket. Motor Assembly should not rotate if this is done correctly. (Fig. 10)

BLADE INSTALLATION

THE FOLLOWING OPERATION MUST BE ACCOMPLISHED BEFORE INSTALLING THE GLASS SHADE.

Step 1. Insert the blades into the motor housing blade slots, push blade until it stops. You should be able to hear the inside safety pin drop into the blade hole to secure the blade in place. (Fig. 6)

CAUTION: Re-check each blade to make sure all blades are secured to the motor by holding the blade from the tip and gently pulling it outwards. The blades should be snug to the motor housing without any up, down, or sideways play. All blade sets are grouped by weight. Because plastic injection varies in density, the fan may wobble even though the blades are weight matched.

BLADE REMOVAL

In the event that the blades need to be removed, use the blade removal tool included with your fan. Remove the blades by pulling the safety pin via the opening above the blade in the motor housing as shown. (Fig. 7)

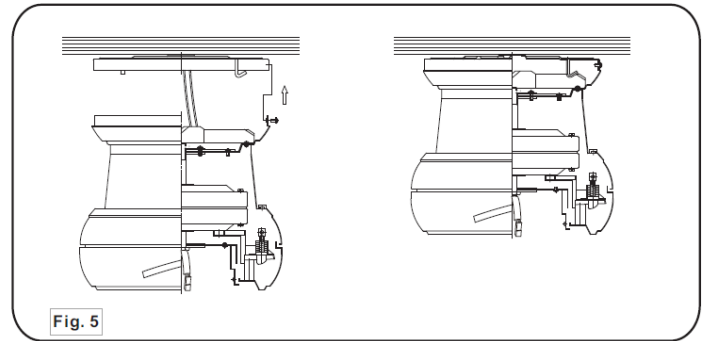


Fig. 5

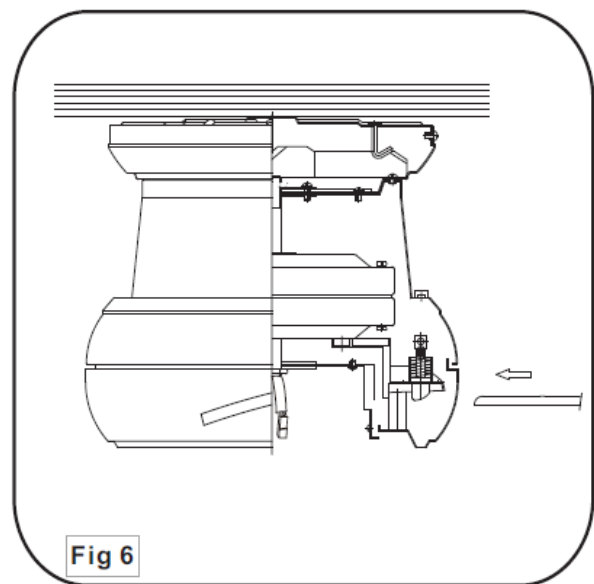
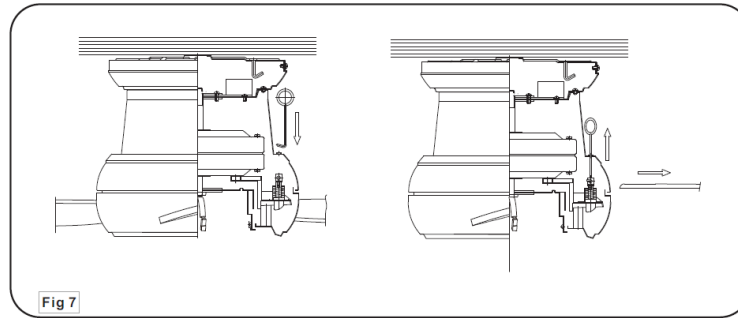


Fig 6

CONCEPT FLUSHMOUNT LED CEILING FAN - 44"



INSTALLING THE LED LIGHT KIT & GLASS SHADE

CAUTION: Before starting installation, make sure the power is turned off at the circuit breaker. If you do not plan to install the light kit with your fan at this time, skip step 1, 2 and 3.

Remove 1 of 3 screws from the mounting plate and loosen the other 2 screws. (Do not remove.)

While holding the LED light kit under the fan motor assembly, make the 2-pin wire connections: -- White to white -- Black to black

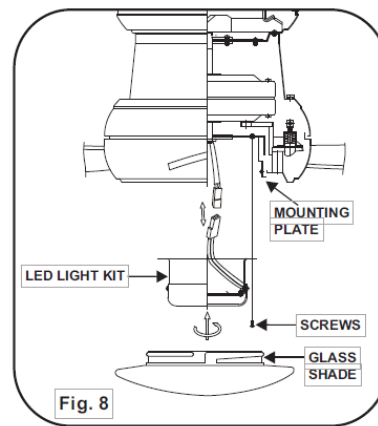
Place the key holes in the LED light kit over the two mounting screws previously loosened from the mounting plate. Turn the LED light kit until the LED light kit locks in place at the narrow section of the key holes. Secure by tightening the two screws previously loosened and the one previously removed. (Fig. 8)

Raise the glass shade (or metal light cover) up against the mounting plate and secure it to the fan by turning the glass shade clockwise until snug. **DO NOT OVERTIGHTEN.** (Fig. 8)

NOTE: The metal light cover included with your fan is an option to replace the glass for the light in the event that you prefer not to use the light feature of your fan. The metal light cover is not necessary for the light operation; it can be saved for later use if desired.

CARE OF YOUR FAN

1. Because of the fan's natural movement, some connections may become loose. Check the support connections, brackets, and blade attachments twice a year. Make sure they are secure. (It is not necessary to remove fan from the ceiling.)
2. Clean your fan periodically to help maintain its new appearance over the years. Use only a soft brush or lint-free cloth to avoid scratching the finish. Plated finishes are sealed with lacquer to minimize discoloration or tarnishing. Do not use water when cleaning; this could damage the motor, wood blades, or possibly cause an electrical shock.
3. Use a lint-free lightly damp cloth or duster to remove dust from the blades.



4. There is no need to oil your fan. The motor has permanently lubricated bearings.
5. If your fan is provided with glass shades, clean with lukewarm soapy water and a soft cloth or sponge. **DO NOT IMMERSE GLASS SHADES IN HOT WATER. DO NOT PUT GLASS SHADES INTO AN AUTOMATIC DISHWASHER.**

WARNING!

MAKE SURE THE POWER IS OFF AT THE ELECTRICAL PANEL BOX BEFORE YOU ATTEMPT ANY REPAIRS. REFER TO THE SECTION, "ELECTRICAL CONNECTIONS".

