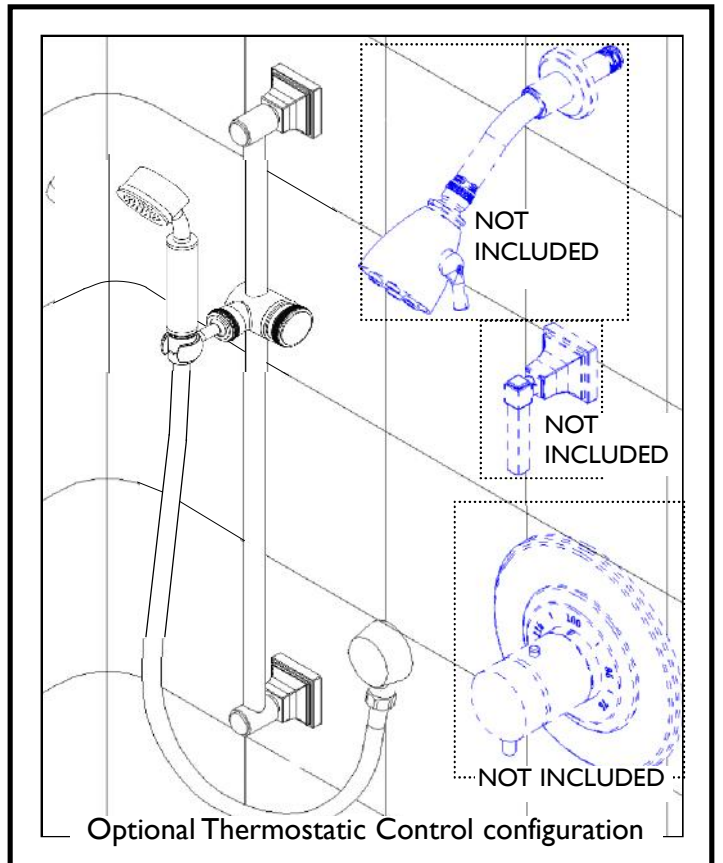
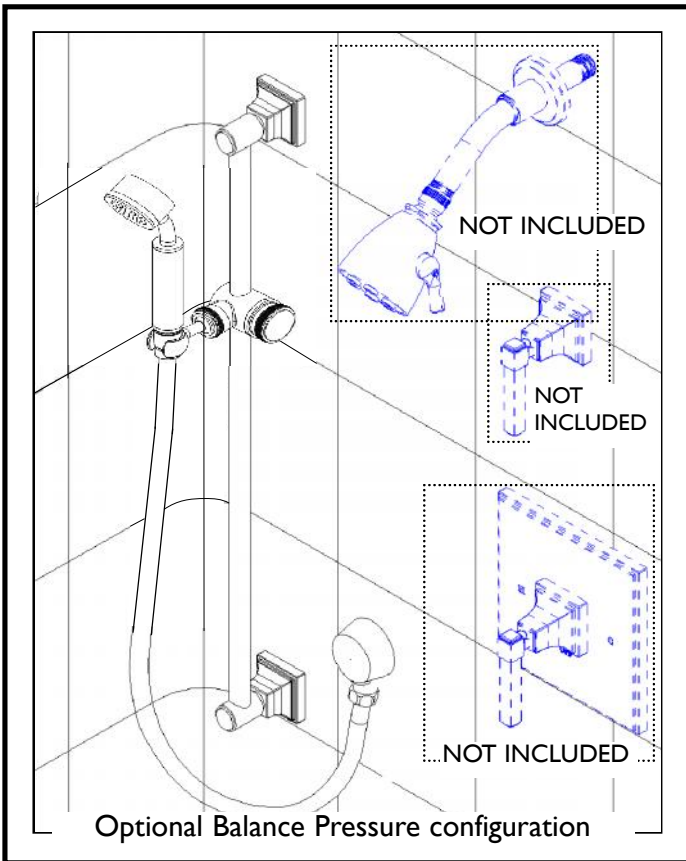


# RH

RESTORATION HARDWARE

## INSTALLATION INSTRUCTIONS

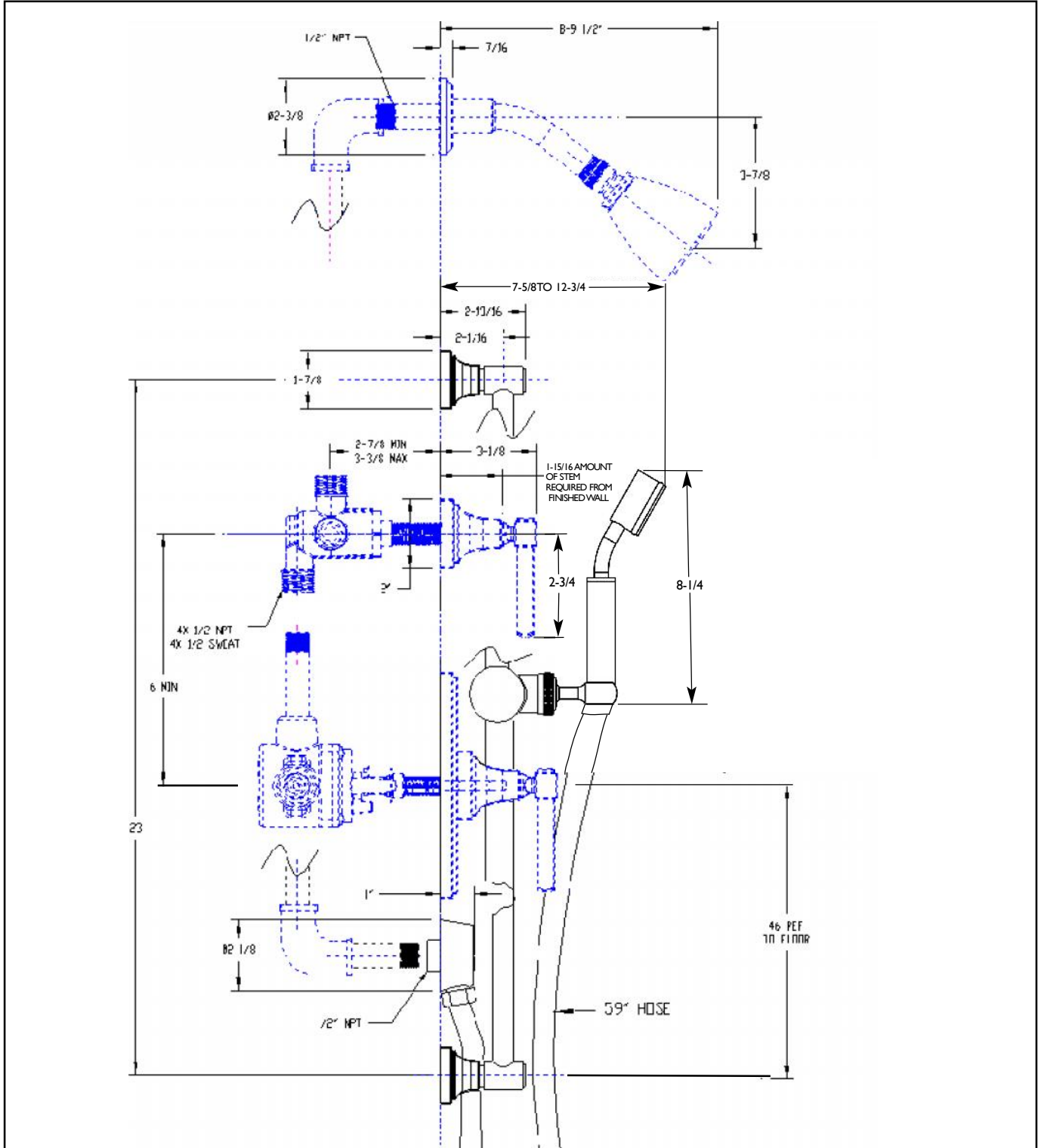


**MODEL: Dillon**  
**HAND SHOWER KIT**  
**23540005 (RH-6342)**

# Restoration Hardware

## Hand Shower Kit (Balance Pressure configuration shown)

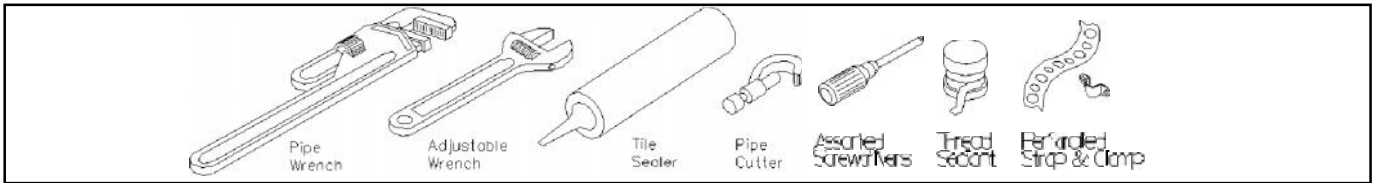
### Specification Diagram



All Threaded Connections are  $\frac{1}{2}$ " NPT

Dimensions are in Inches and Approximation of a Typical Installation

# Common tools needed:

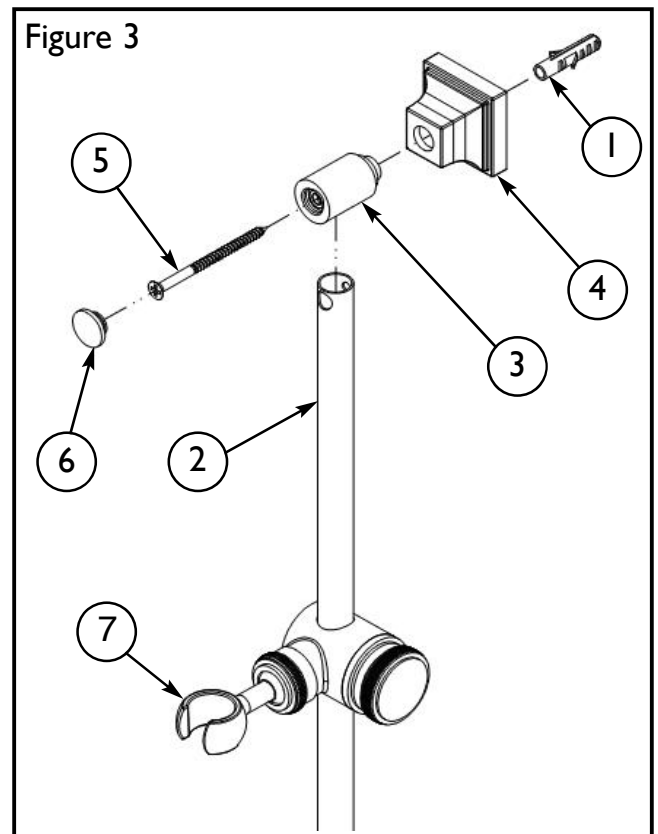
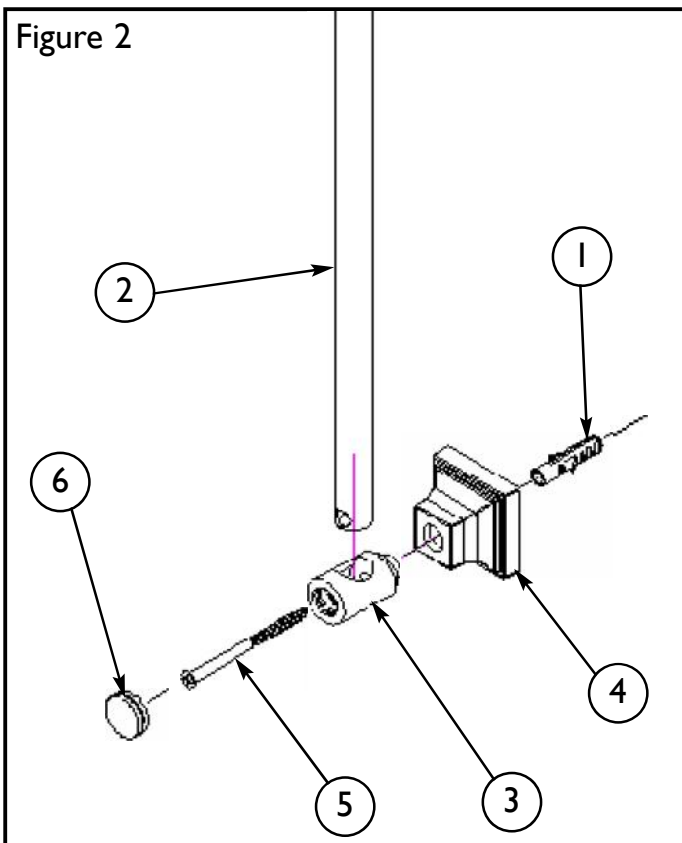
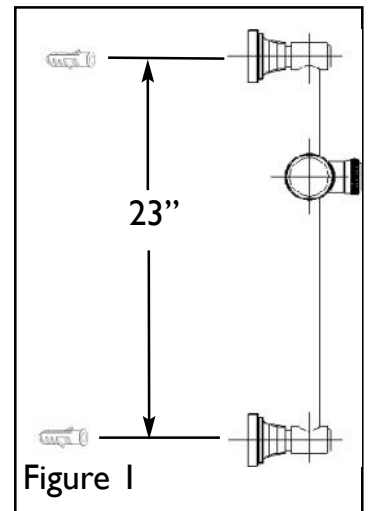


## Installation Instructions

We recommended Installation by a Licensed Plumbing Professional

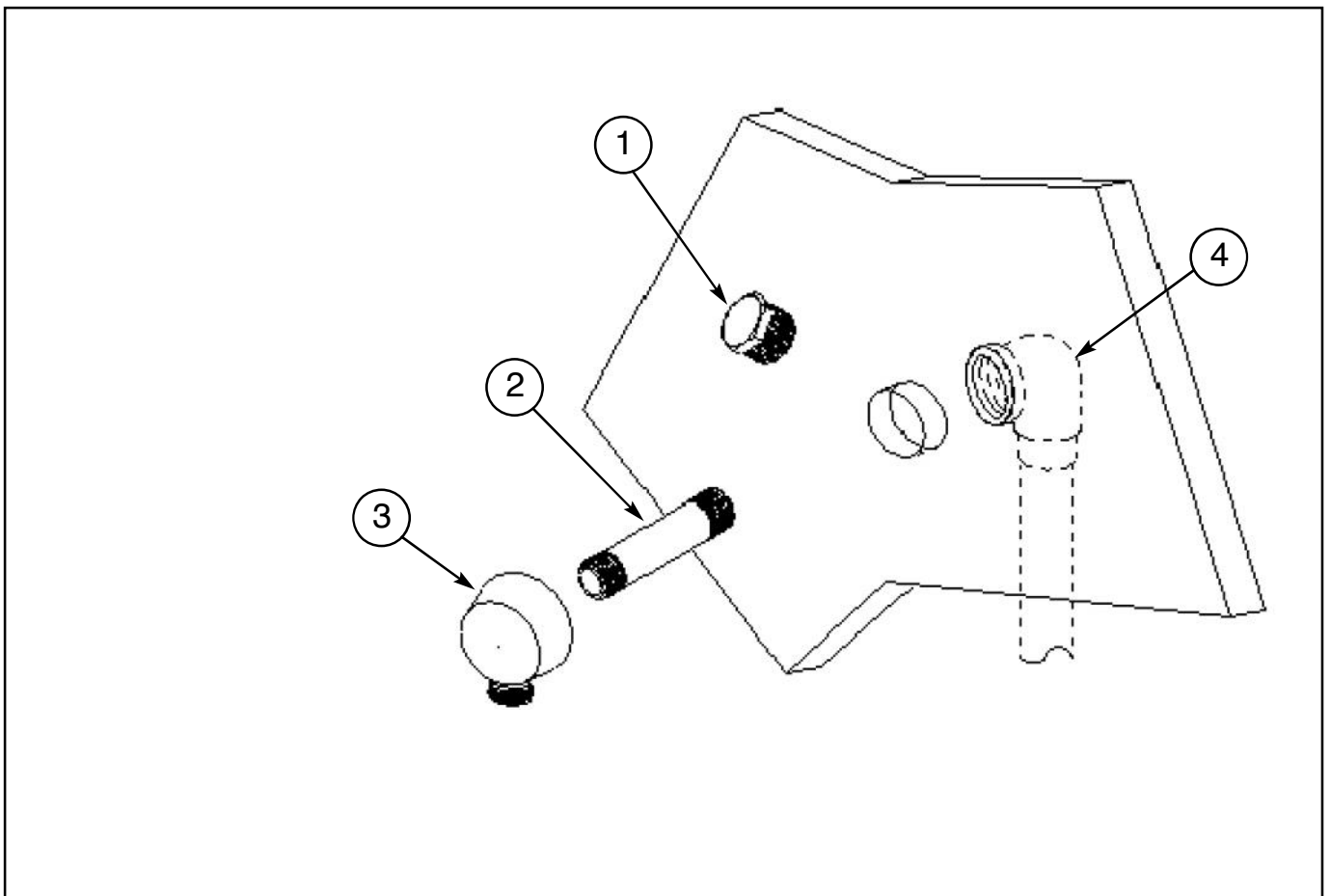
### I. Installation of Slide Bar Assembly

- Locate the desired position of slide bar on finished wall. **See Figure 1.**
- Mark wall and drill 5/16" hole for WALL ANCHORS (1) to dimension shown in **Figure 1.**
- Place SLIDE BAR (2) into END POST (3). Note: Large diameter hole in SLIDE BAR (2) must face out as shown in **Figure 2.**
- Place POST (3) onto ESCUTCHEON (4), insert SCREW (5) and securely tighten into ANCHOR (1) as shown in **Figure 2.**
- Press END CAP (6) into end of POST (3).
- Slide and lock HOLDER ASSEMBLY (7) onto SLIDE BAR (2) and repeat the above steps to the other end of SLIDE BAR (2) as shown in **Figure 3.**



## 2. Supply Elbow Installation

- Where applicable, remove TEMPORARY PLUG (1) from fitting in wall.
- Apply thread sealant to both ends of appropriate length NIPPLE (2), (not supplied).
- Tighten NIPPLE(2) onto SUPPLY FITTING (4).
- Tighten SUPPLY ELBOW (3) onto NIPPLE (2).



### 3. Hand Shower & Hose Installation

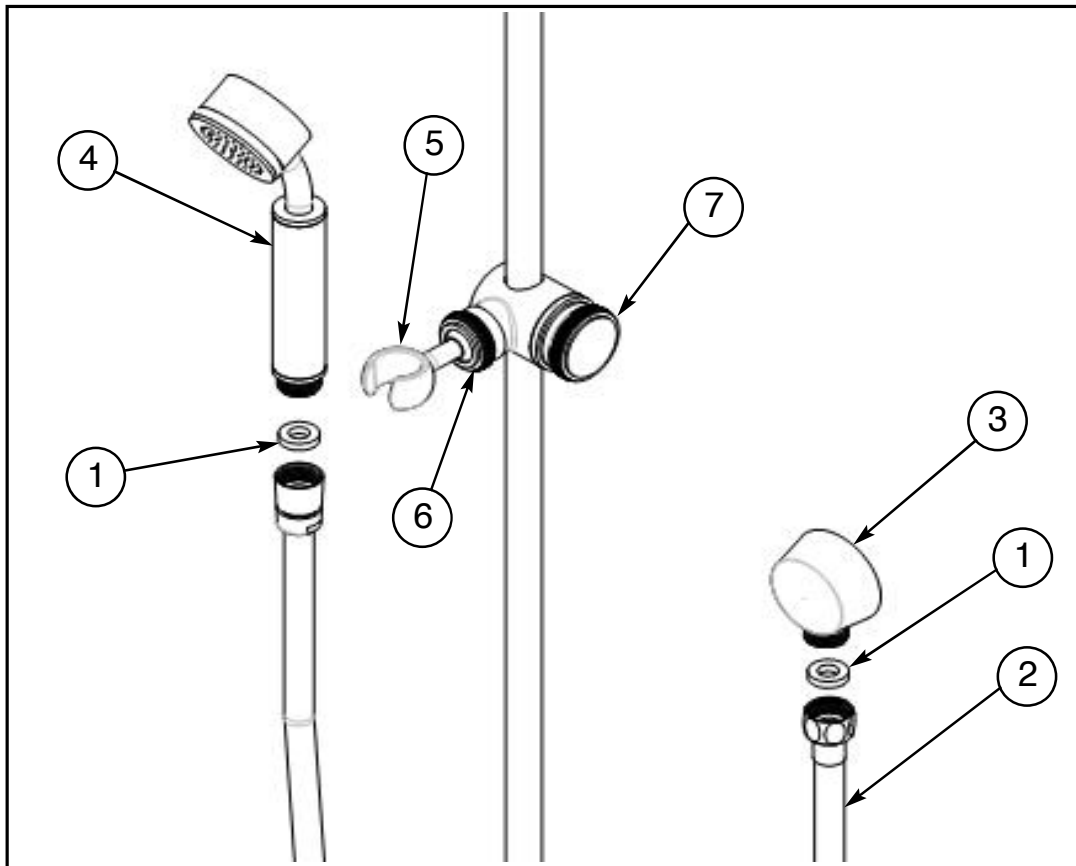
- Place RUBBER WASHER (1) into both ends of HOSE (2).
- Attach the hex end of HOSE (2) onto SUPPLY ELBOW (3).
- Attach HAND SHOWER (4) onto conical end of HOSE (2).
- Place HAND SHOWER (4) into SLIDE BAR HOLDER (5).

### 4. Adjusting Hand Shower on Side Bar

- COLLAR NUT (6) is pre-tightened at the factory. To adjust HAND SHOWER (4) into a desired position, insert HAND SHOWER (4) into HOLDER (5) then rotate accordingly.

Note : If HOLDER (5) becomes too loose to hold HAND SHOWER (4) in place, sufficiently tighten the COLLAR NUT (6).

- Loosen CAP HANDLE (7) and move HOLDER (5) to desired vertical location. Retighten CAP HANDLE (7) to keep HOLDER (5) in place.



## Care and Cleaning

The lustrous finish on your Restoration Hardware Bathware fixture should be treated with care. Improper handling or cleaning can damage the surface of any metal finish. Use a soft cloth to wipe clean. Avoid harsh abrasive cleaner. Water contains lime and other mineral deposits that will be left on the surface after the water has evaporated. You can prevent these deposits from forming by always wiping the fixture dry immediately after use.

## Technical Support and Customer Service

For technical support in the installation of your Restoration Hardware Bathware fixture, please call 1-866-417-5207 weekdays between the hours of 7:00am and 4:00pm PST.

For other questions regarding your order, to order additional components of the Restoration Hardware Bathware Collection, to order replacement parts, or to address warranty issues, please contact Restoration Hardware Customer Service at 1-877-747-4671.