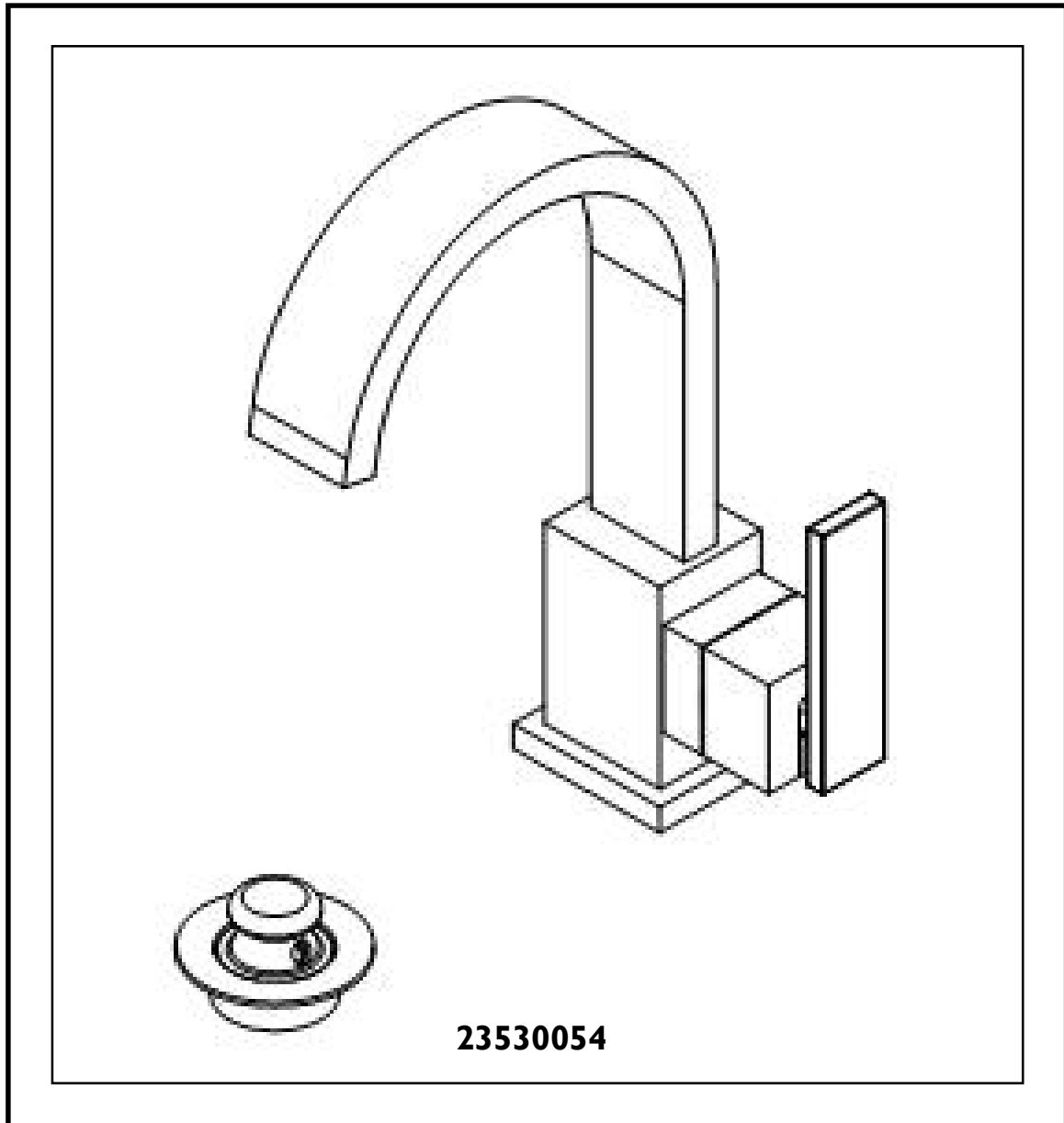


RH

RESTORATION HARDWARE

INSTALLATION INSTRUCTIONS



SINGLE HOLE DECK LAVATORY / VESSEL

MODEL: Modern

23530054 (RH-6562)

Recommended Installation by a Professional Plumbing Contractor

Note: The use of petroleum base plumbers putty on our products will nullify the warranty. We recommend the use of clear silicone sealing materials. Recommended deck thru hole \varnothing 1-1/8"

1. Place the spout hoses, one at a time, and secure spout into place with MOUNTING BRACKET(1), and MOUNTING NUT (2) by utilizing provided installation tool (3). See Fig. 1
2. Attach hot/cold spout supply hoses to valves in the wall. See Fig. 2
3. Drain assembly installation. Remove drain FLANGE (4) from TAILPIECE (9). Place FLANGE (4) through sink drain opening. (Clear silicone may be used in place of white washer.) From bottom side of sink, place cone shaped rubber WASHER (5) onto FLANGE (4) and slide up against sink bottom. Note: Cone portion of WASHER (5) to face upward. Next slide on clear WASHER (6) and secure with flange NUT (8). Place FLAT WASHER (7) on NUT (8) & tighten to FLANGE (4). See Figure 3.
4. Apply thread sealant to STOPPER (10) and attach to DRAIN ASSEMBLY (11) See Figure 4.

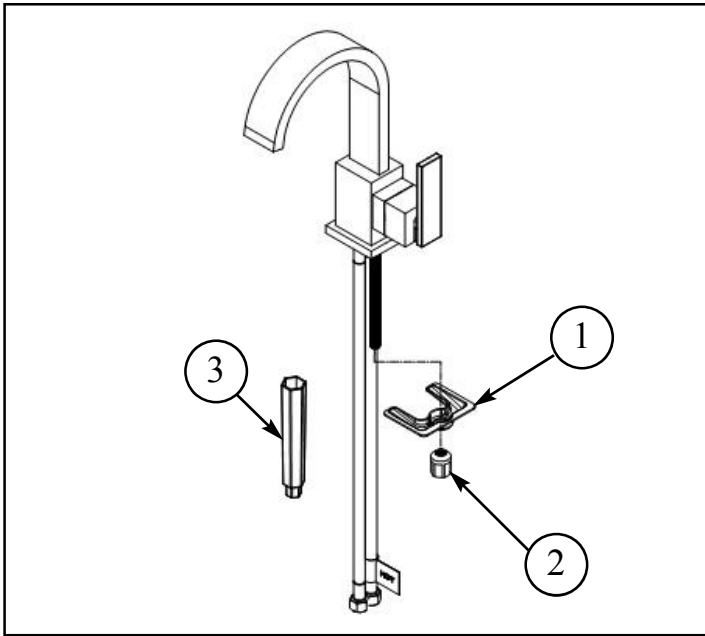


Figure 1

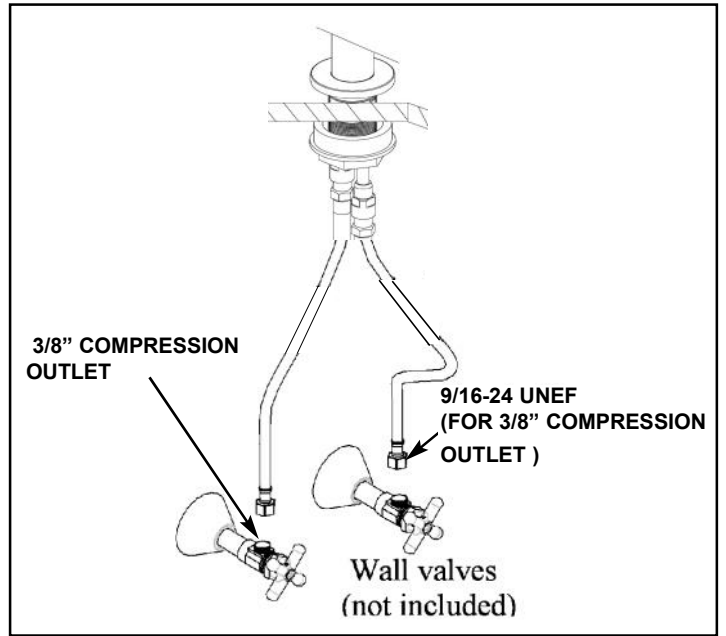


Figure 2

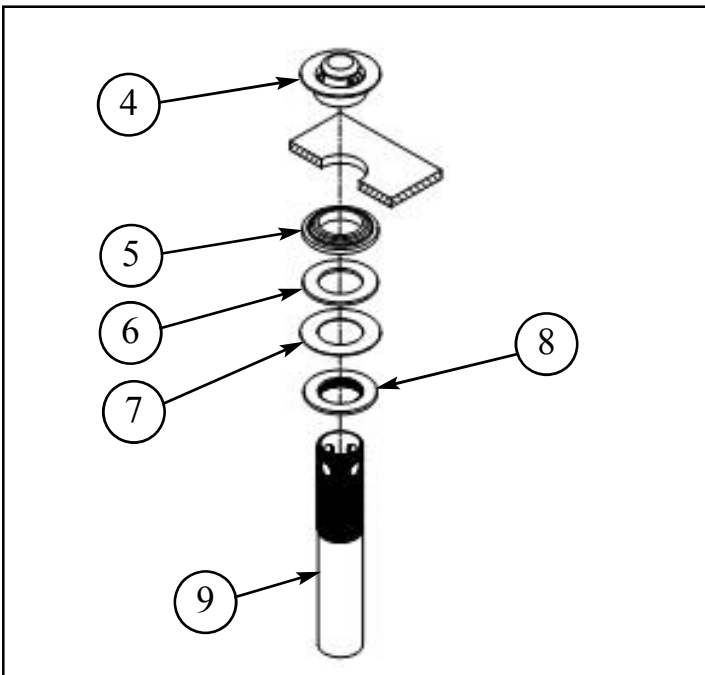


Figure 3
Drain assembly

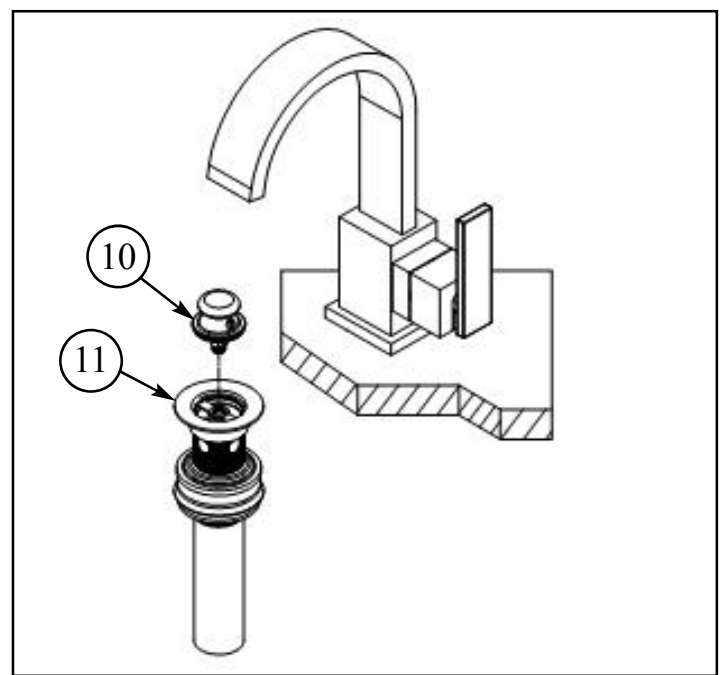
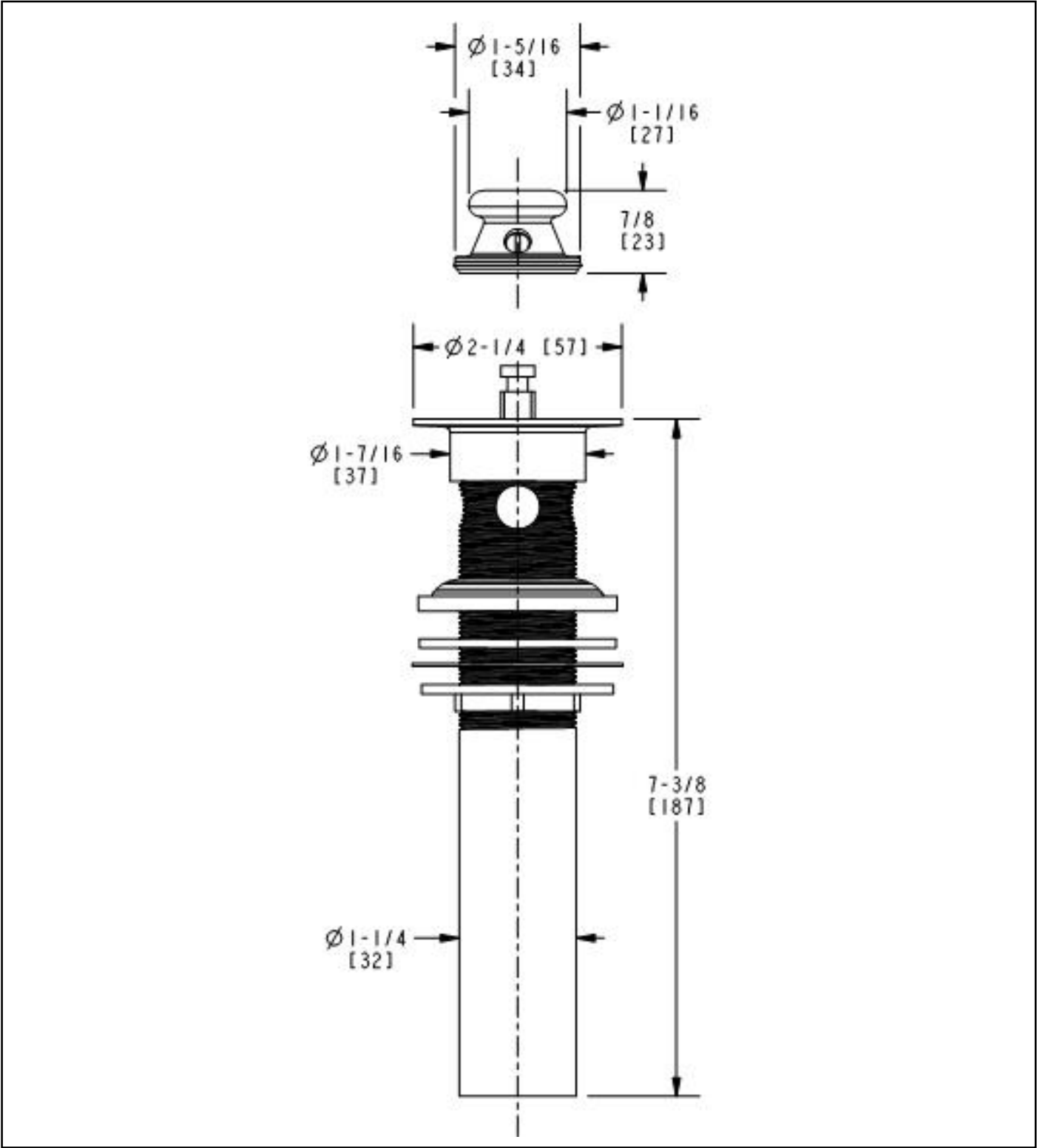


Figure 4

Restoration Hardware Lavatory Drain Specification Diagram



Care and Cleaning

The lustrous finish on your Restoration Hardware Bathware fixture should be treated with care. Improper handling or cleaning can damage the surface of any metal finish. Use a soft cloth to wipe clean. Avoid harsh abrasive cleaner. Water contains lime and other mineral deposits that will be left on the surface after the water has evaporated. You can prevent these deposits from forming by always wiping the fixture dry immediately after use.

Technical Support and Customer Service

For technical support in the installation of your Restoration Hardware Bathware fixture, please call 1-866-417-5207 weekdays between the hours of 7:00am and 4:00pm PST.

For other questions regarding your order, to order additional components of the Restoration Hardware Bathware Collection, to order replacement parts, or to address warranty issues, please contact Restoration Hardware Customer Service at 1-877-747-4671.