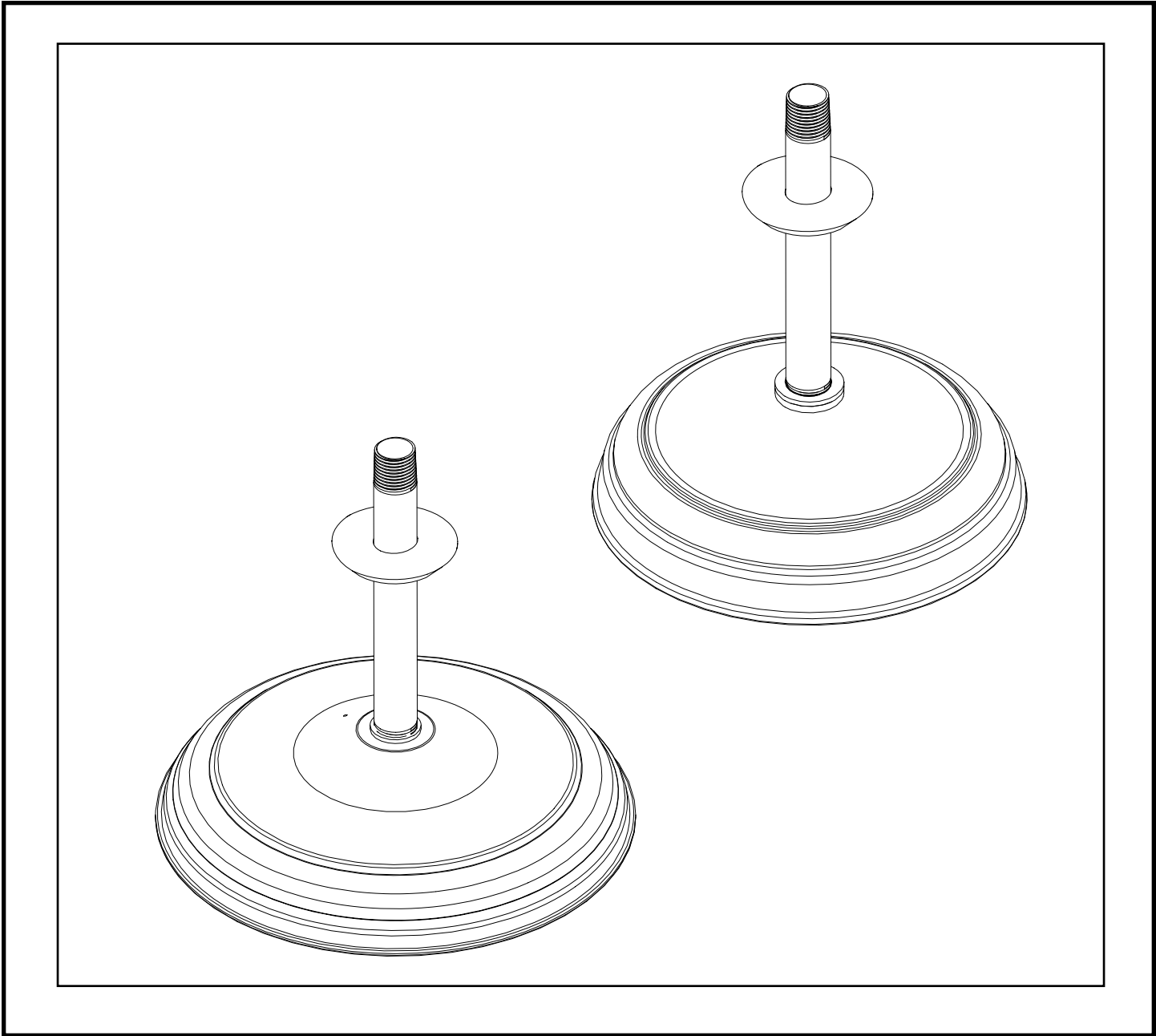


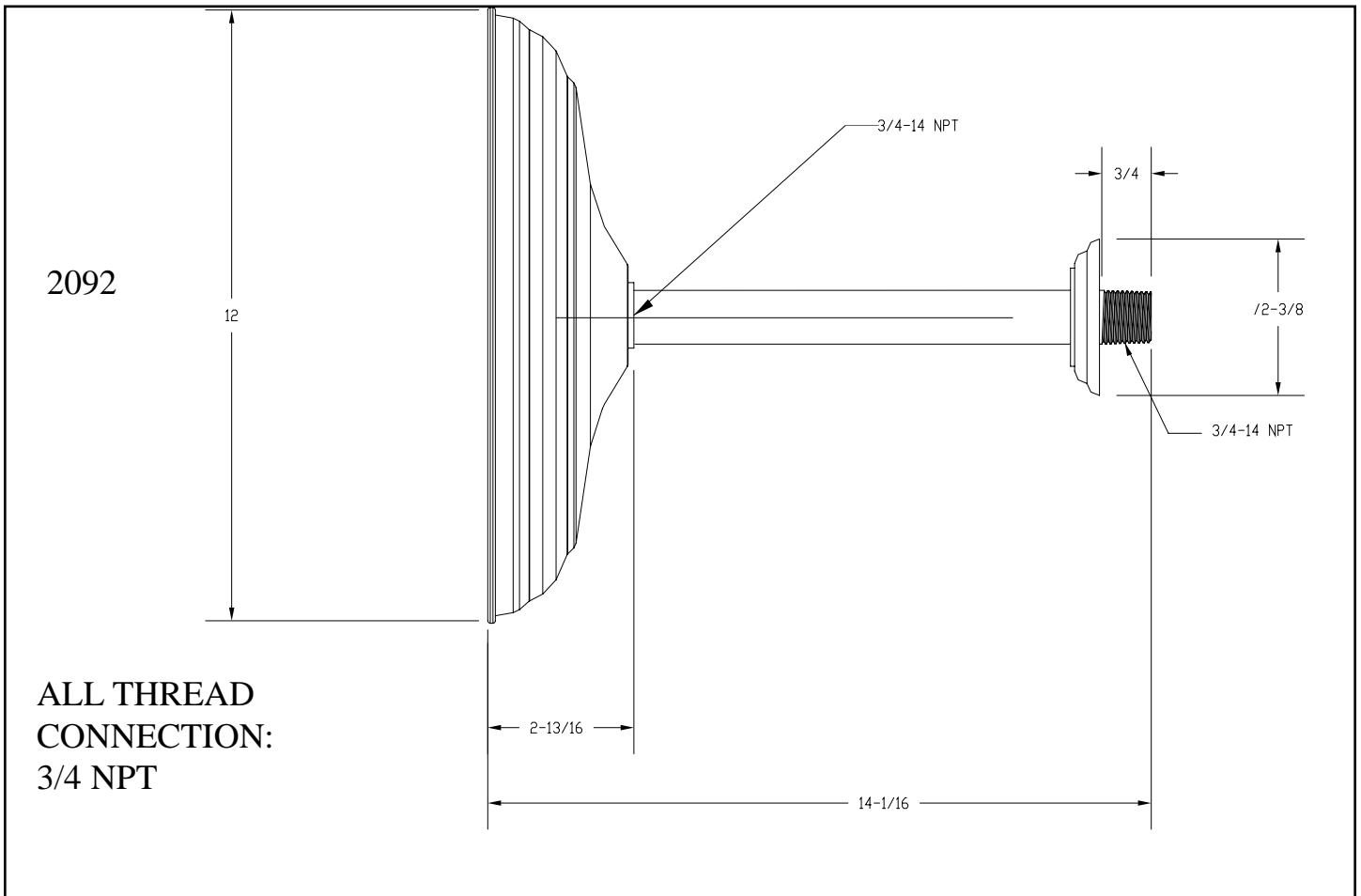
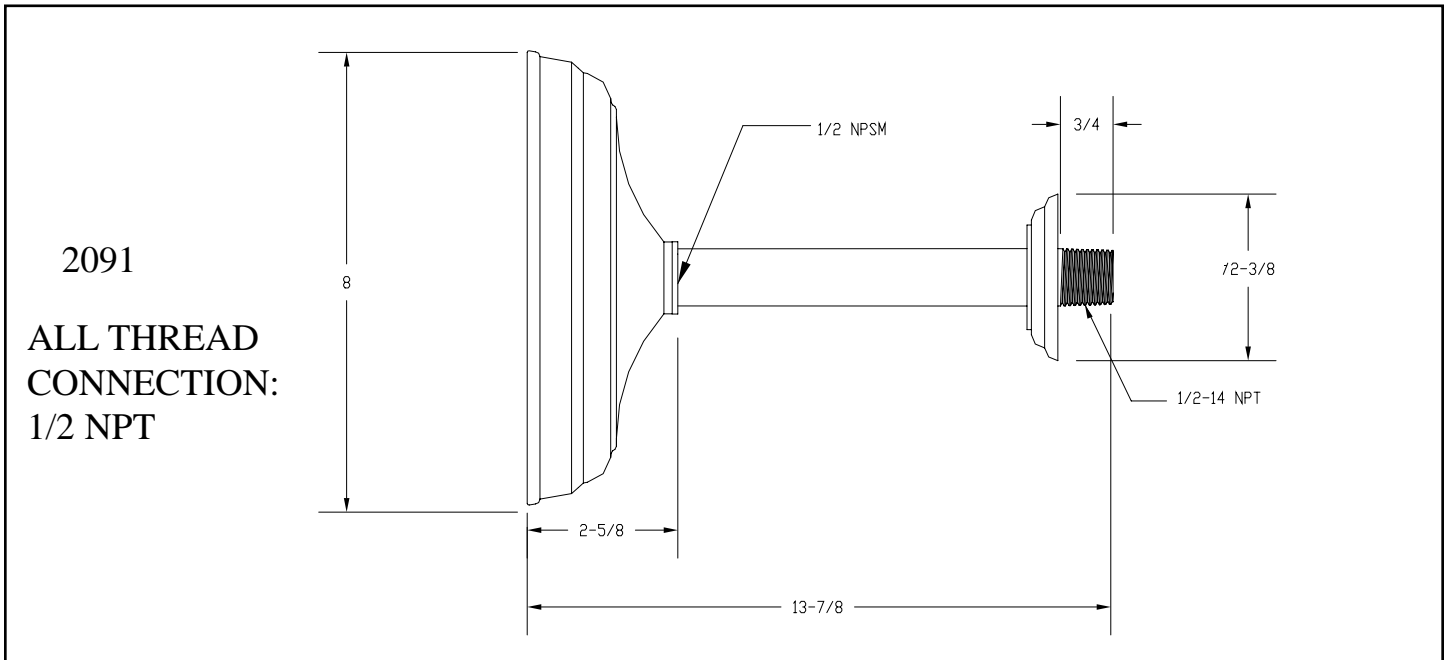


INSTALLATION INSTRUCTIONS



Model No: RH-2091, RH-2092
8" & 12" Rain Head Shower

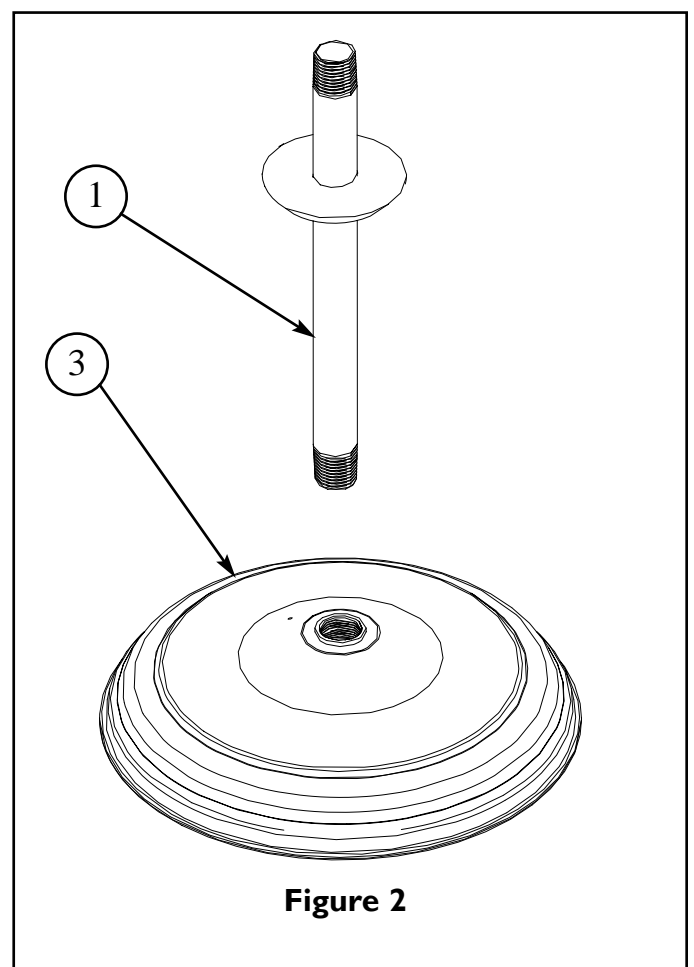
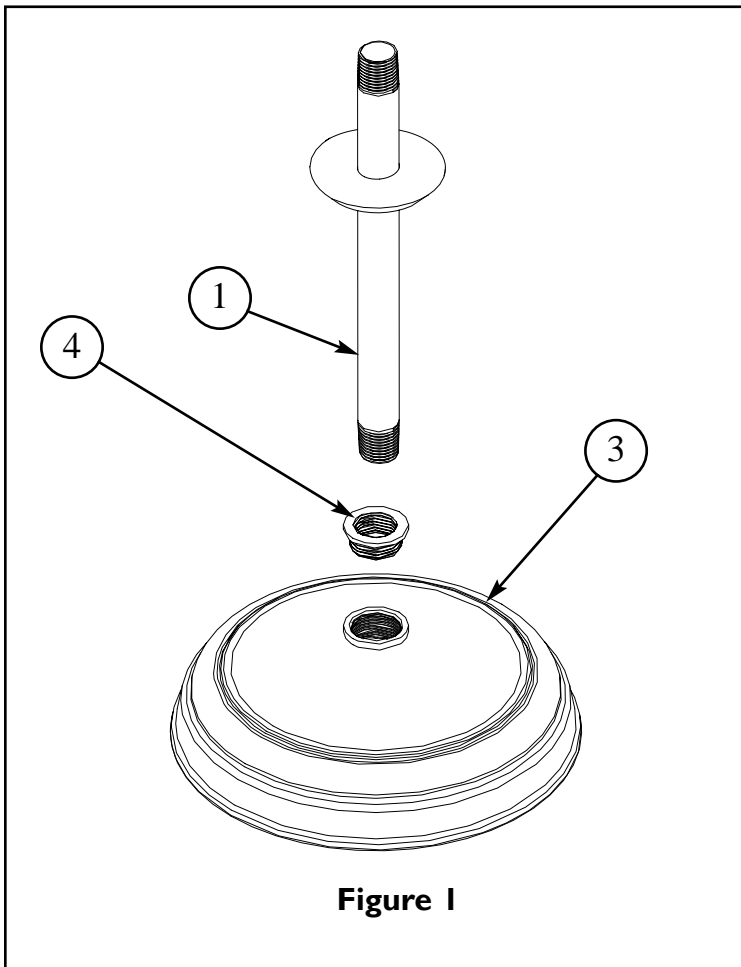
Restoration Hardware Product Size Specification Diagram



Recommended Installation by a Professional Plumbing Contractor

Note: The use of petroleum base plumbers putty on our products will nullify the warranty. We recommend the use of clear silicone sealing materials.

- Apply thread sealant to both ends of NIPPLE (1).
- Thread one end of NIPPLE (1) into mixed water supply behind finished ceiling. Place ESCUTCHEON (2) over NIPPLE (1).
- For model 2091, apply thread sealant to ADAPTER (4) and attach to SHOWER HEAD (3).
- Thread SHOWER HEAD (3) to other end of NIPPLE (1). See Figure 1 and 2.
- Check for leaks and make any final adjustments required.



Care and Cleaning

The lustrous finish on your Restoration Hardware Bathware fixture should be treated with care. Improper handling or cleaning can damage the surface of any metal finish. Use a soft cloth to wipe clean. Avoid harsh abrasive cleaner. Water contains lime and other mineral deposits that will be left on the surface after the water has evaporated. You can prevent these deposits from forming by always wiping the fixture dry immediately after use.

Technical Support and Customer Service

For technical support in the installation of your Restoration Hardware Bathware fixture, please call 1-866-417-5207 weekdays between the hours of 7:00am and 4:00pm PST.

For other questions regarding your order, to order additional components of the Restoration Hardware Bathware Collection, to order replacement parts, or to address warranty issues, please contact Restoration Hardware Customer Service at 1-877-747-4671.