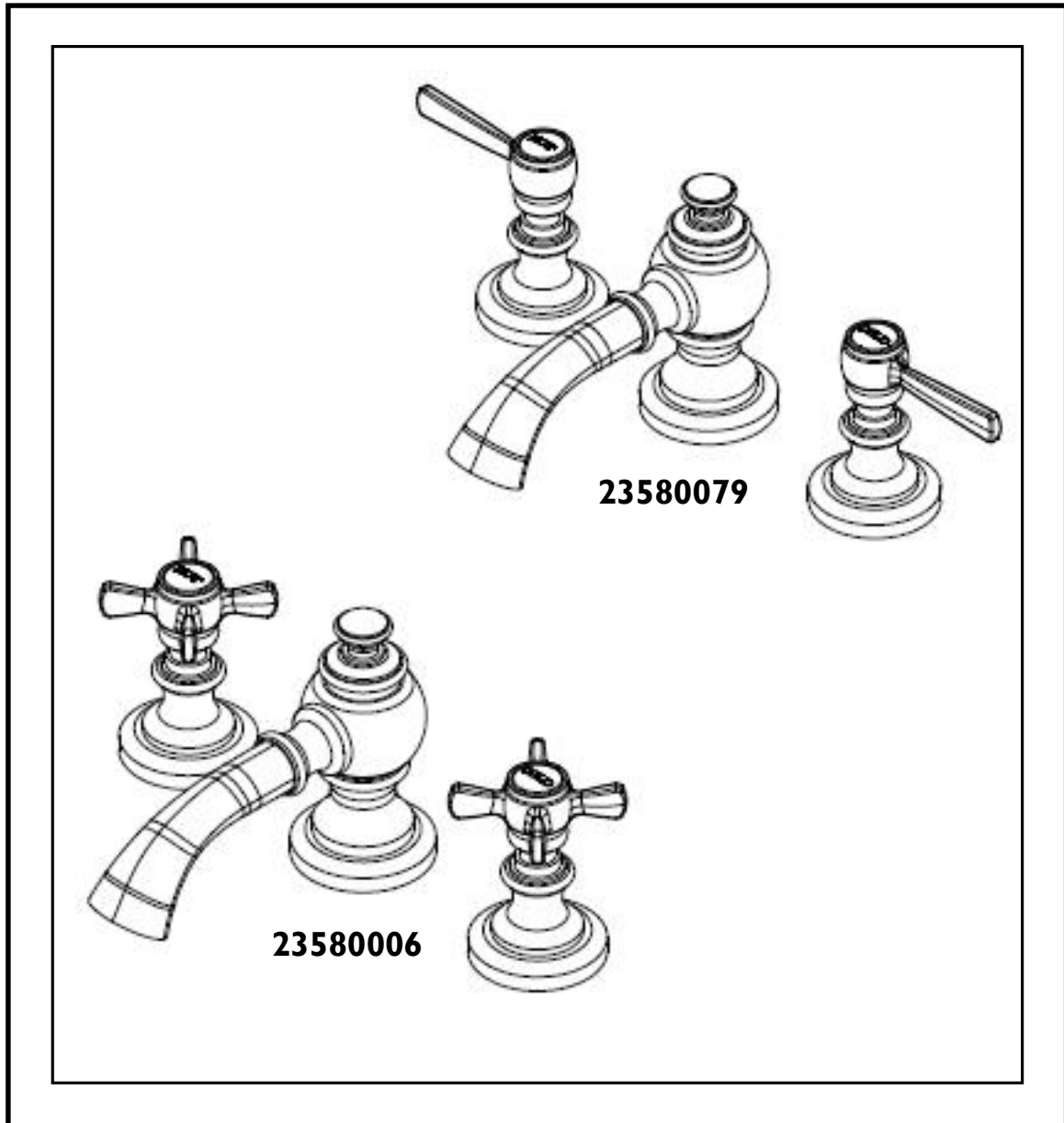


# RH

RESTORATION HARDWARE

## INSTALLATION INSTRUCTIONS

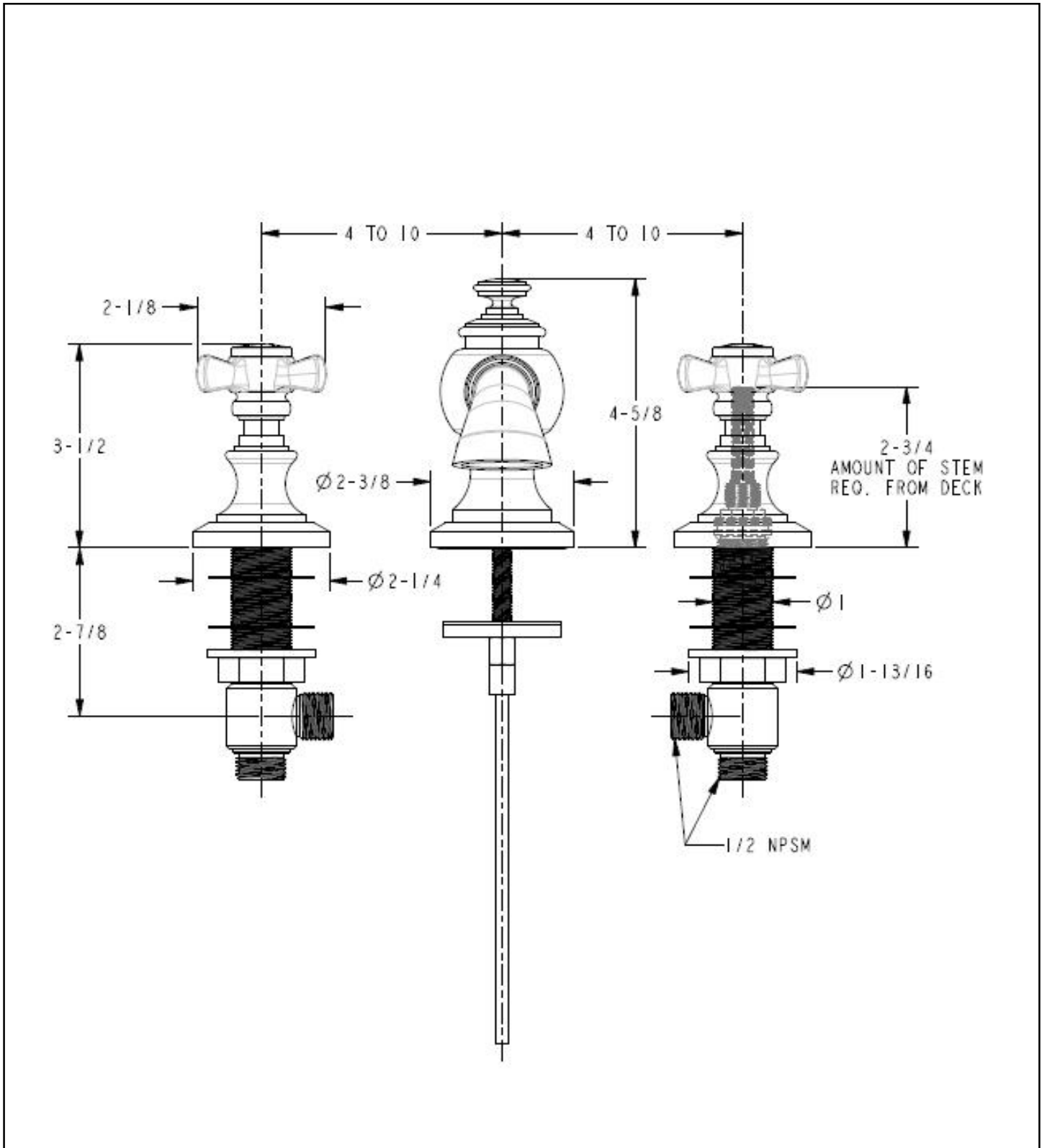


**MODEL: LUGARNO**

23580006 (RH-5900)

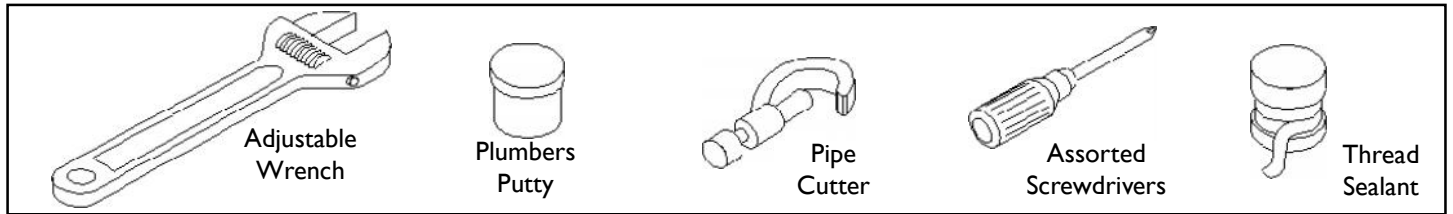
23580079 (RH-5900L)

# Restoration Hardware Faucet Product Size Specification Diagram



**Recommended Deck Hole Size 1-3/8" Diameter**  
**Dimensions are in Inches and Approximation of a Typical Installation**

## Common tools needed:

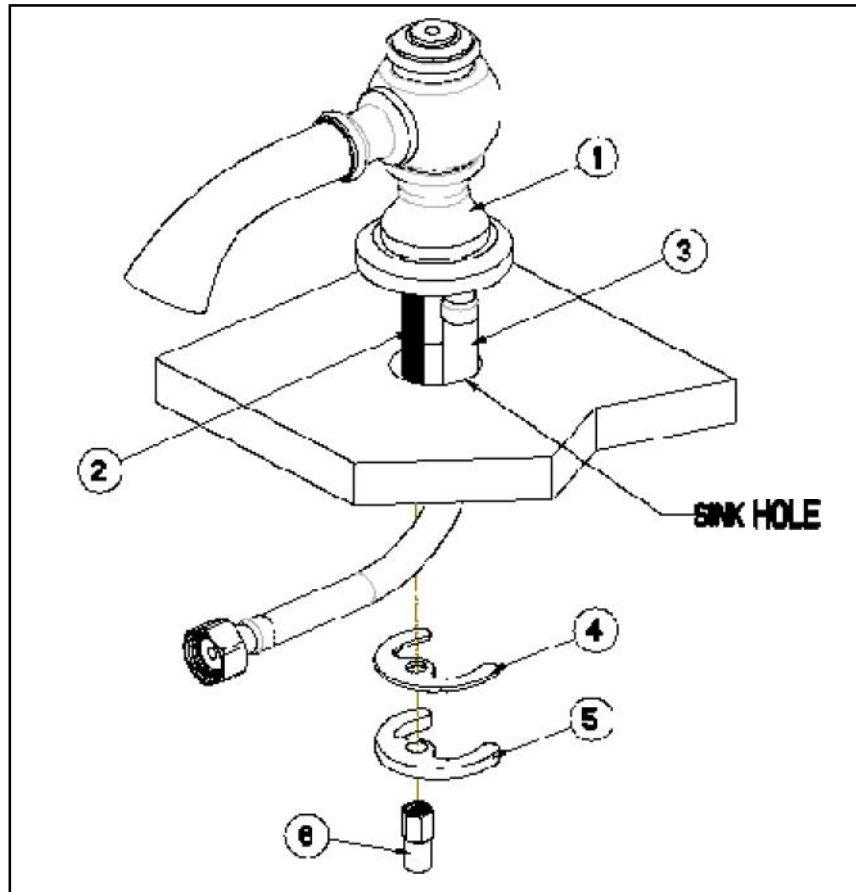


## Installation Instructions

We Recommend Installation by a Licensed Plumbing Professional

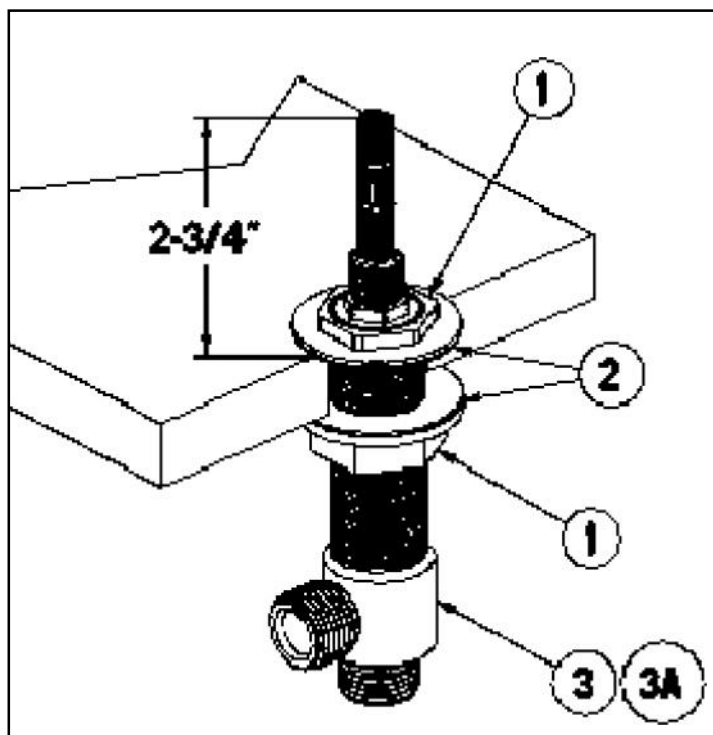
### I. Spout Assembly

- Insert SHANK (2) and HOSE (3) through sink hole (apply putty or silicone to underside of SPOUT (1) base ).
- From underside of mounting deck, place RUBBER GASKET (4), MOUNTING CRESENT (5) and MOUNTING NUT (6) onto SPOUT SHANK (2).
- Align SPOUT (1) and secure into place by tightening MOUNTING NUT (6).



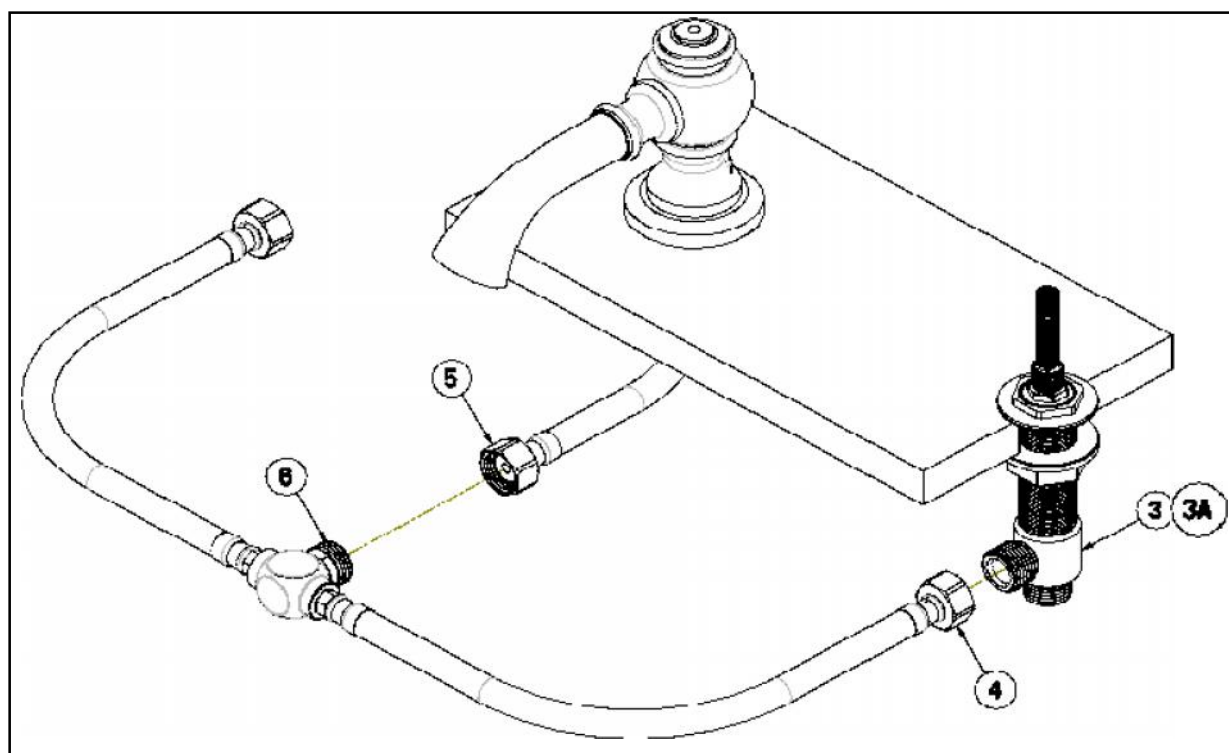
## 2. Valve Assembly

- Place flange NUT (1) and fiber WASHER (2) onto valve BODY (3).
- Insert valve BODY (3) through sink hole from underside of sink. Valve BODY (3) should extend 2-3/4" above mounting surface. If necessary adjust lower flange NUT (1).
- Place fiber WASHER (2) and flange NUT (1) onto upper position of valve BODY (3).
- Set valve BODIES (3,3A) so that their outlets are facing parallel with the spout and tighten upper flange NUT (1).



## 3. Hose and Valve Assembly

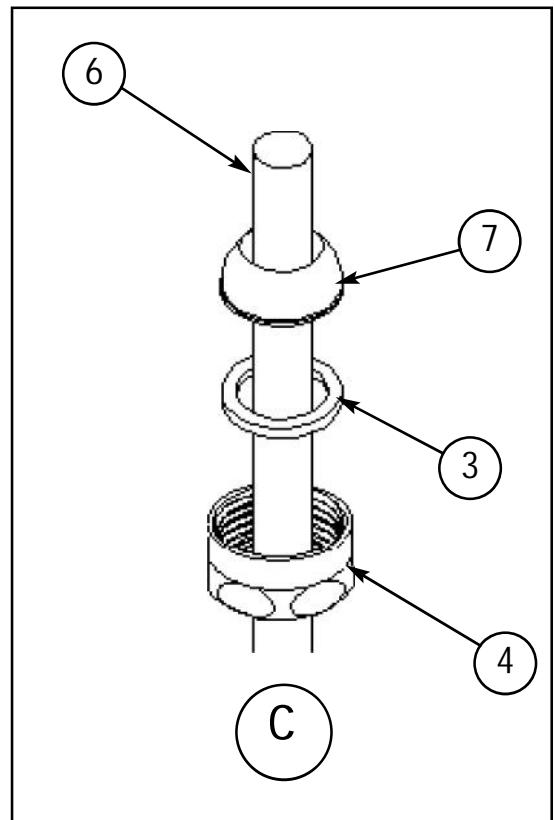
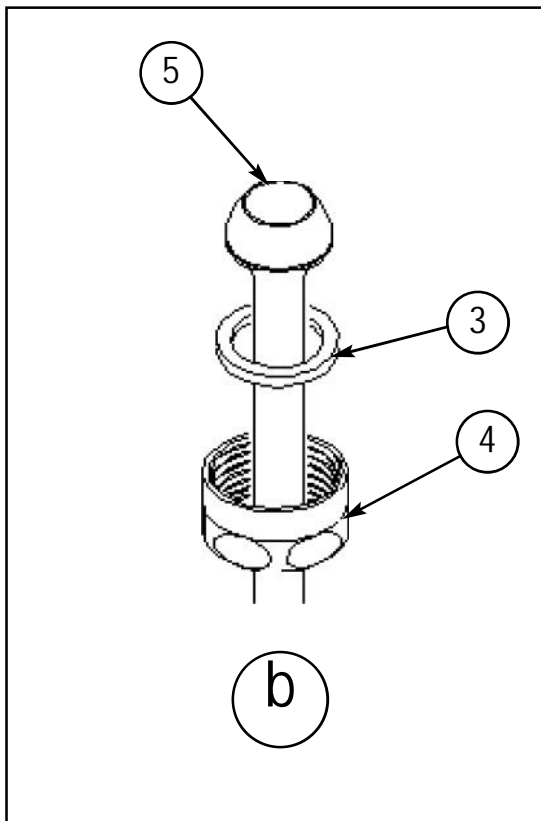
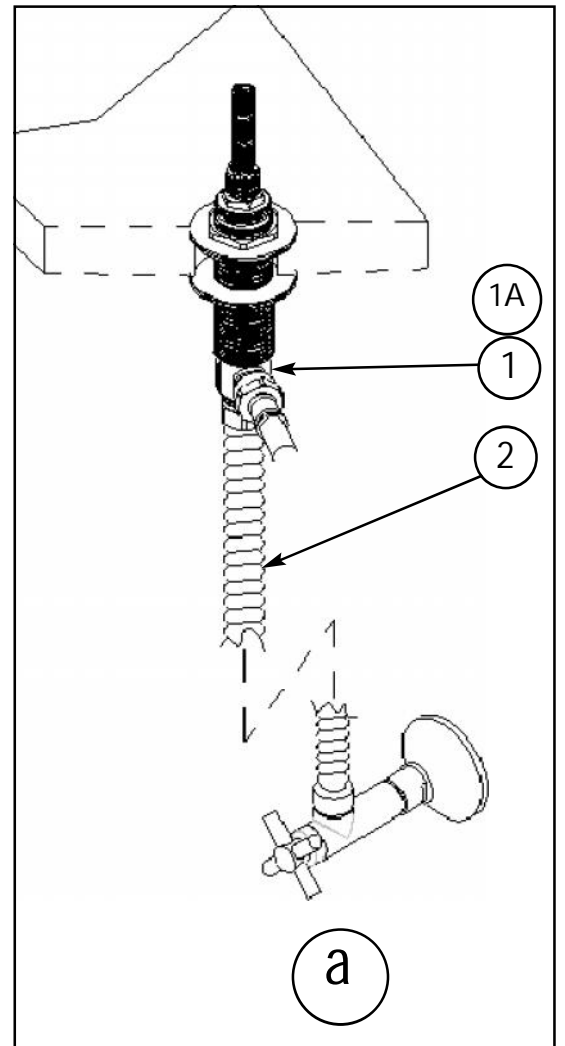
- Connect Large COUPLING NUT (4) to outlet of each VALVE BODY (3, 3A).
- Connect Large COUPLING NUT (5) to T-VALVE (6).
- Hand tighten and secure each connection with a wrench 1/4 turn.



# 4. Make Water Supply Connections

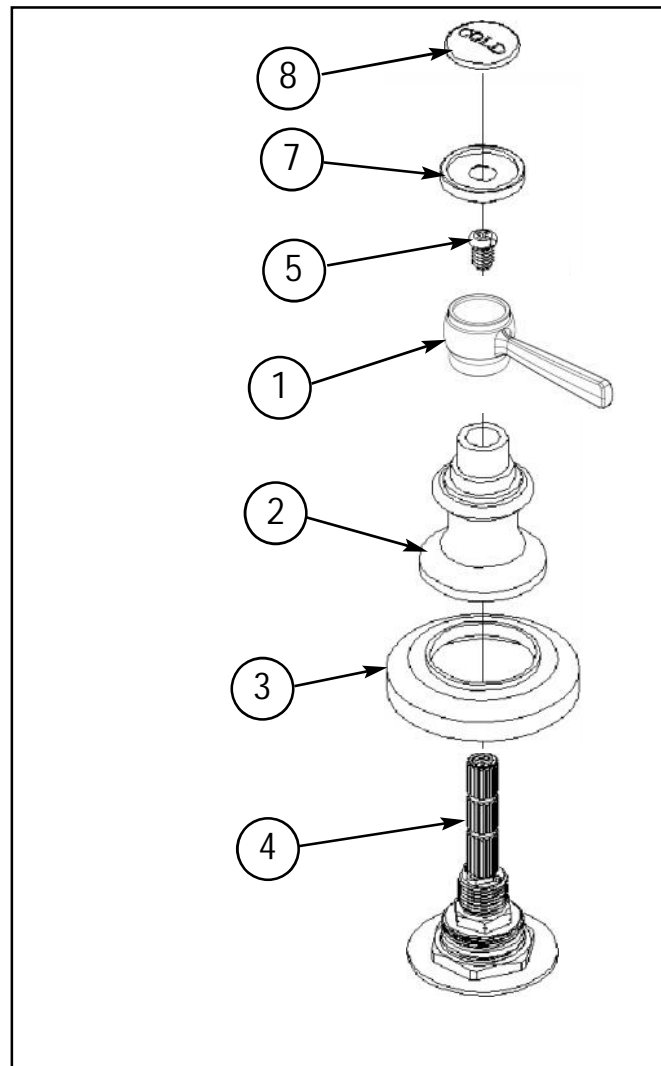
NOTE: SUPPLY RISERS MUST BE PURCHASED SEPARATELY

- Connect water supply to VALVE BODIES(1, 1A) with one of the three following types of risers:
  - 1/2" IPS FLEXIBLE RISER (2), discard RUBBER NOSECONE (7), FRICTION WASHER (3) and COUPLING NUT (4).
  - 3/8" or 1/2" O.D. BULLNOSE RISER (5), place FRICTION WASHER (3) and COUPLING NUT (4) onto BULLNOSE RISER (5).
  - 1/2" O.D. COPPER RISER (6), place COUPLING NUT (4), FRICTION WASHER (3), and RUBBER NOSECONE (7) onto end of COPPER RISER(6).
- Use adjustable wrench to tighten connections. Do not over tighten and be careful not to kink copper supply when bending. Use a tube bender and cutter to properly adjust copper supply.



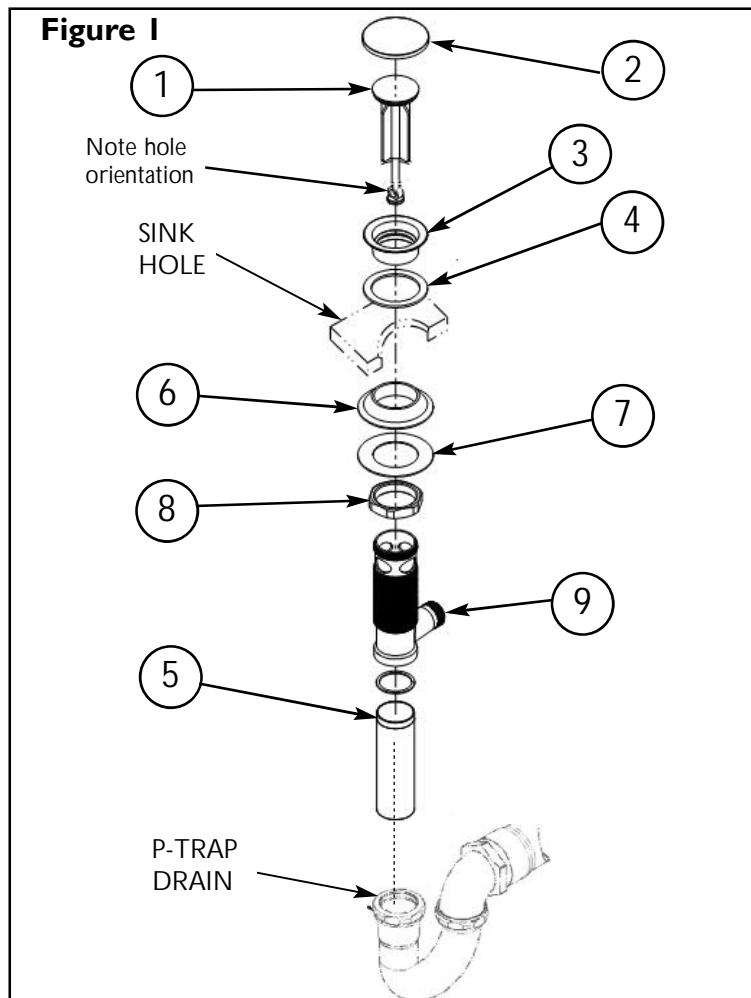
# 5. Install Handles

- Turn VALVE STEM (4) to OFF position.
- Place ESCUTCHEON (3) and BONNET (2) onto VALVE STEM (4) and thread BONNET (2) until snug against ESCUTCHEON (3).
- Place HANDLE (1) onto VALVE STEM (4). Check alignment, if necessary reposition handle on stem or rotate body for proper alignment. DO NOT loosen cartridge stem.
- Secure HANDLE (1) into place by tightening SCREW (5) onto VALVE STEM (4). Press CAP (7) into place.
- Remove adhesive backing from BUTTON (8) align and press into CAP (7).

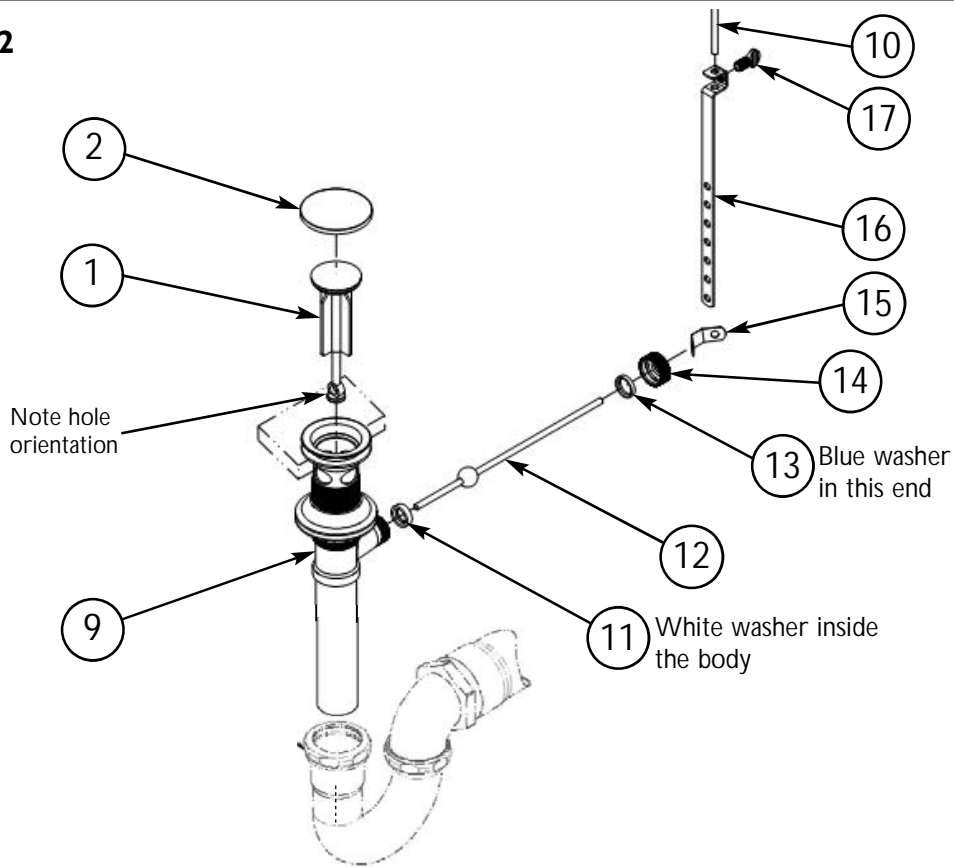


## 6. Install Pop- up Drain

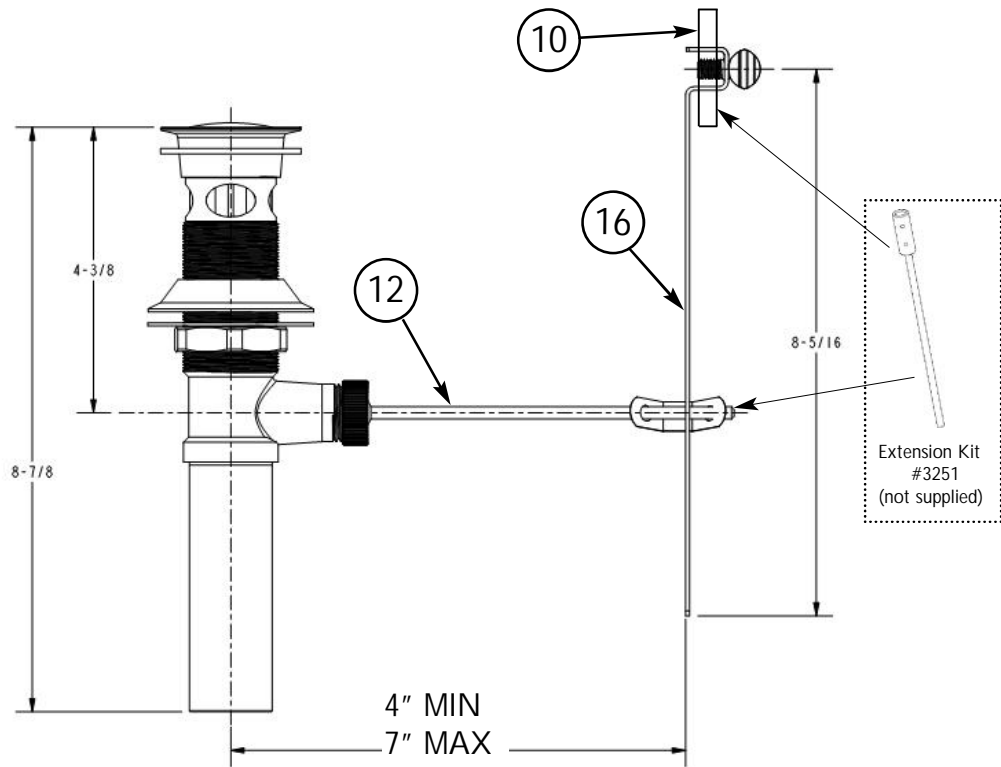
- Remove drain FLANGE (3), WHITE WASHER (4) and PLUNGER ASSY (1), and discard drain CAP (2), from drain assembly. Place drain FLANGE (3) and WHITE WASHER (4) in place through the sink drain hole. (Clear silicone may be used in place of the WHITE WASHER). From underside of the sink install LOCK NUT (8), FLAT WASHER (7), RUBBER CONE WASHER (6), and install drain BODY (9) with the side port pointing toward the back. Cone portion of WASHER (6) to face upward. Secure in place by threading the drain FLANGE (3) onto drain BODY (9). Then tighten LOCK NUT (8) firmly.  
\*\* Adjust drain BODY (9) alignment, as required, by loosening LOCK NUT (8), rotate assembly for alignment of ball ROD (12) to pop-up ROD (10) and re-tighten LOCK NUT (8).
- Apply thread sealant to TAILPIECE (5) and attach to drain BODY (9). Attach TAILPIECE (5) to p-trap drain (not included). **See Figure 1.**
- Place PLUNGER ASSY(1), oriented as shown, into drain FLANGE (3). Insert pop-up ROD (10) through spout and secure to STRAP (16), approximately 1" from end of ROD (10), with SCREW (17). Insert ball ROD (12) into the drain's side port opening and connect it with the bottom hole of PLUNGER ASSY (1), secure with ball rod NUT (14). Adjust the height of the drain cap of PLUNGER ASSY (1) through elevation holes in STRAP (16). Use CLIP (15) to secure ball ROD (12) to STRAP (16). Adjust ball ROD (12) and pop-up ROD (10) adjusting via the elevation of the STRAP (16) so drain will open and close properly. **See Figure 2.**



**Figure 2**



**Figure 3**



**Note:** Extension Kit (# 3251) for ball ROD (12) and/or pop-up ROD (10) available (sold separately). **See Figure 3** for nominal dimensions. (Extension Kit connection must not interfere with CLIP (15), cutting item (12) and/or (10) may be required.)



## 7. Test Installed Faucet

- With handles in OFF position, turn on water supplies and check all connections for leaks.
- Operate both handles to flush water lines thoroughly.
- Operate pop-up drain assembly and check for leaks.
- If water flow is diminished, clean flow restrictor by disassemble T-VALVE (6) in figure 1.

### Care and Cleaning

The lustrous finish on your Restoration Hardware Bathware fixture should be treated with care. Improper handling or cleaning can damage the surface of any metal finish. Use a soft cloth to wipe clean. Avoid harsh abrasive cleaner. Water contains lime and other mineral deposits that will be left on the surface after the water has evaporated. You can prevent these deposits from forming by always wiping the fixture dry immediately after use.

### Technical Support and Customer Service

For technical support in the installation of your Restoration Hardware Bathware fixture, please call 1-866-417-5207 weekdays between the hours of 7:00am and 4:00pm PST.

For other questions regarding your order, to order additional components of the Restoration Hardware Bathware Collection, to order replacement parts, or to address warranty issues, please contact Restoration Hardware Customer Service at 1-877-747-4671.