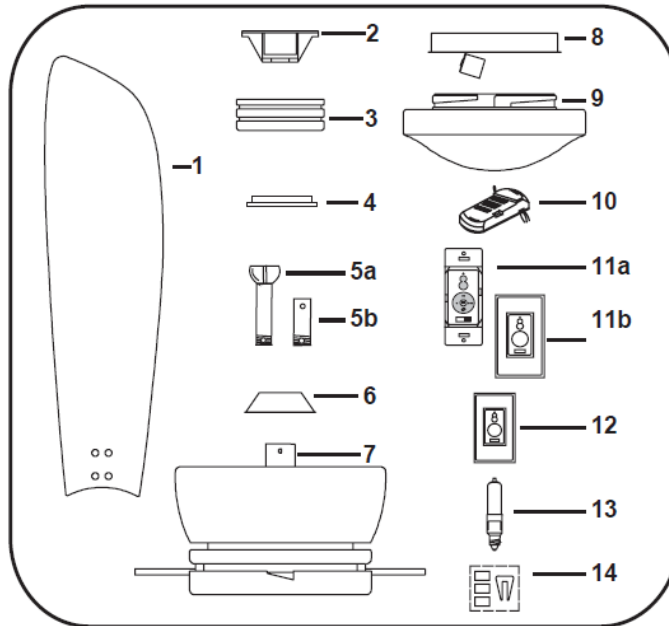


RH

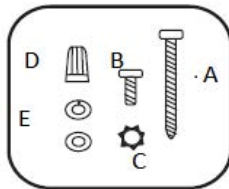
AXIS CEILING FAN

PARTS ENCLOSED:

1. Fan blades (4)
2. Hanger bracket
3. Canopy
4. Canopy cover
5. Standard downrod assembly
6. Minimum-length downrod
7. Coupling cover
8. Fan motor/housing assembly
9. Light plate
10. Glass shade
11. Receiver with 6 wire nuts
12. Wall transmitter with 2 mounting screws and 3 wire nuts
13. Wall plate with 2 mounting screws
14. Extra wall plate with 2 mounting screws
15. 100-Watt halogen bulb
16. Balancing kit



- A. #10 X 1.5" wood screws (2 pcs.)
- B. #8-32 X 3/4" machine screws (2 pcs.)
- C. Lock washers (2 pcs.)
- D. 4mm star washers (2 pcs.)
- E. Wire nuts (3 pcs.)
- F. Washers (2 pcs.)



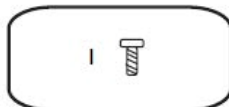
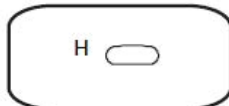
Blade attachment hardware:

- F. 3/16" x 10 mm screws (17 pcs.)
- G. Fiber washers (16 pcs.)
- H. Blade medallions (8 pcs.)



Blade holder attachment hardware:

- I. 1/4" x 1/2" screws (6 pcs.)



AXIS CEILING FAN

IMPORTANT SAFETY INSTRUCTIONS:

Before you begin installing the fan, shut power off at the circuit breaker of the fuse box. Be cautious! Read all instructions and safety information before installing your new fan. Review accompanying assembly diagrams. Make sure that all electrical connections comply with local codes, ordinances, and National Electrical Codes. Hire a qualified electrician or consult a do-it-yourself wiring handbook if you are unfamiliar with installing electrical wiring. Make sure the installation site you choose allows the fan blades to rotate without any obstructions. Allow a minimum clearance of 7 feet from the floor and 18 inches from the tip of the blades to the wall. If you are mounting the fan to a ceiling fan outlet box, use a U.L. Listed metal octagonal outlet box marked "Acceptable for Fan Support" and use the mounting screws provided with the outlet box in conjunction with the lock washers provided with the fan. Secure the box directly to the building structure. The outlet box and its support must be able to support the moving weight of the fan (at least 50 pounds). Do not use a plastic box. If you are mounting the fan to a joist, make sure it is able to support the moving weight of the fan (at least 50 pounds). After you install the fan, make sure that all mounting components are secured to prevent fan from falling. Do not insert anything into the fan blades while the fan is operating. Turn the fan off and wait for the blades to stop completely before proceeding with maintenance or cleaning.

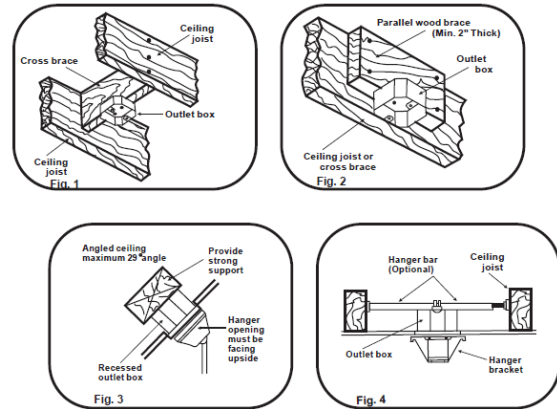
WARNING:

Most outlet boxes commonly used for fan support of lighting fixtures are not acceptable for fan support and need to be replaced. Consult a qualified electrician if in doubt. To reduce the risk of personal injury, do not bend the blade holders while installing, balancing the blades or cleaning the fan. Do not insert foreign objects between rotating fan blades. To reduce the risk of fire or electronic shock, this fan can only use CFT-3T Solid-State Speed Control with TR111A-1 Wall Control.

MOUNTING OPTIONS

If there isn't an existing mounting box, then read the following instructions. Disconnect the power by removing fuses or turning off circuit breakers. Secure the outlet box directly to the building structure. Use appropriate fasteners and building materials. The outlet box and its support must be able to fully support the moving weight of the fan (at least 50 lbs.). Use a UL

Listed metal outlet box. Do not use a plastic outlet box. Figures 1, 2 and 3 are examples of different ways to mount the outlet box. Note: You may need a longer downrod to maintain proper blade clearance when installing on a steep, sloped ceiling. Longer downrods are available from your Minka-Aire dealer. To hang your fan where there is an existing fixture but no ceiling joist, you may need to install a hanger bar as shown in Fig. 4 (available at your Minka-Aire dealer).



Hanging the fan

REMEMBER to turn off the power. Follow the steps below to hang the fan properly:

Step 1. Secure the hanger bracket to the ceiling outlet box using screws included with your outlet box, and lock washers included with the fan (Fig. 5).

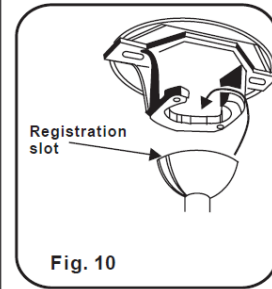
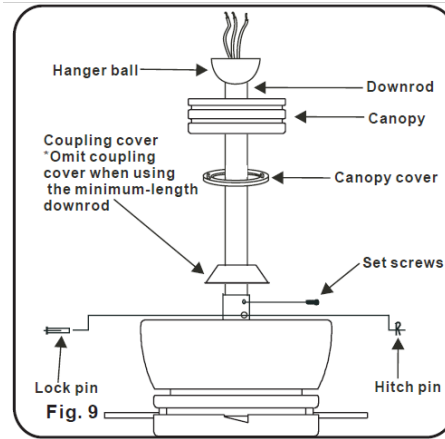
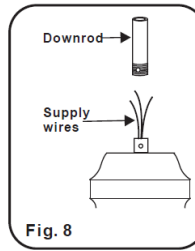
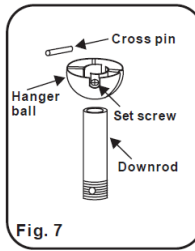
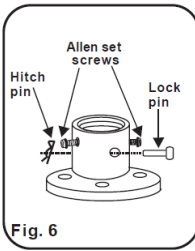
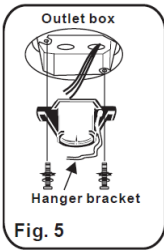
Step 2. Loosen the two set screws and remove the hitch pin and lock pin in the top coupling of the motor assembly (Fig. 6).

Step 3. Remove hanger ball from downrod assembly by loosening set screw, removing the cross pin, and sliding ball off rod (Fig. 7).

Step 4. Carefully feed fan wires up through the downrod (Fig. 8). Thread the rod into the coupling. Next, line up holes and replace lock pin and hitch pin. Tighten set screws.

Step 5. Slip coupling cover, canopy cover and canopy onto downrod (Fig. 9). Carefully reinstall hanger ball onto rod, making sure the cross pin is in the correct position, set screws are tightened and wires are not twisted.

Step 6. Lift motor assembly into position and place hanger ball into hanger bracket. Rotate until the check groove has dropped into the registration slot and sits firmly (Fig. 10). Rod should not rotate if this is done correctly.



INSTALLING THE WALL TRANSMITTER

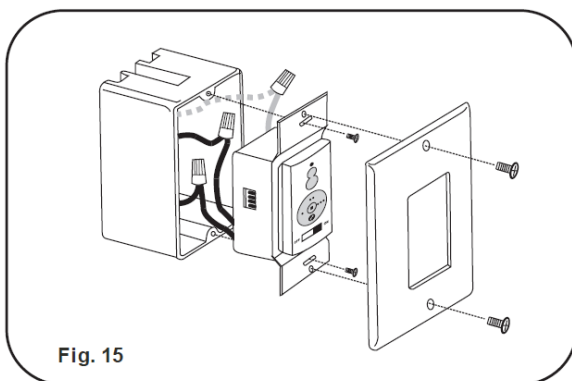
WARNING! HOOK UP "IN THIS EXACT ORDER" ONLY. DO NOT CONNECT NEUTRAL SUPPLY WIRE OF ELECTRIC CIRCUIT TO THE TRANSMITTER WALL SWITCH. DAMAGE TO THE TRANSMITTER WALL SWITCH AND POSSIBLE FIRE COULD OCCUR.

Step 1. Remove the existing wall plate and switch from the wall outlet box.

Step 2. Make the electrical connections as shown in Fig. 14. If your outlet box has a ground wire (green or bare copper), connect the transmitter's ground wire directly to one of the screws from the outlet box. Secure all wire connections with the plastic wire nuts provided.

Step 3. Carefully tuck the wire connections inside the outlet box. Use the screws provided to secure the wall transmitter and wall plate to the outlet box (Fig. 15).

NOTE: Your Aire Control System includes two sets of face and decorative plate color options. The wall control comes with a standard white faceplate attached. If you desire to replace it with the ivory color faceplate included, use a small, flat screwdriver to gently pry it apart from the top or bottom of the plate.



ELECTRICAL CONNECTIONS

WARNING: To avoid possible electrical shock, be sure electricity is turned off at the main fuse or breaker box before wiring.

NOTE: The hand held remote or wall control units included with your ceiling fan are equipped with 16 code combinations to prevent possible interference from or to other remote units. The frequency switches on your receiver and transmitter units have been preset at the factory. Please re-check to make sure the switches on both units are set to the same positions. The frequency settings should be changed only in case of interference or if more remote-controlled ceiling fans are installed in the same structure. Any code combination will operate the ceiling fan and light as long as the receiver and transmitter units are set to the same codes (Fig. 11).

Step 1. Insert receiver into hanger bracket with the flat side of the receiver facing the ceiling (Fig. 12).

Step 2. Motor to Receiver Electrical Connections: Connect the WHITE wire from the fan to the WHITE wire marked "TO MOTOR N" from the receiver. Connect the BLACK wire from the fan to the BLACK wire marked "TO MOTOR L" from the receiver. Connect the BLUE wire from the fan to the BLUE wire marked "For Light" from the receiver.

NOTE: If your ceiling fan features an UP Light: Connect the ORANGE wire from the fan to the ORANGE wire marked "For Up Light" from the receiver. Otherwise, disregard this step and proceed to secure all wire connections with the plastic wire nuts provided (Fig. 13 and 14).

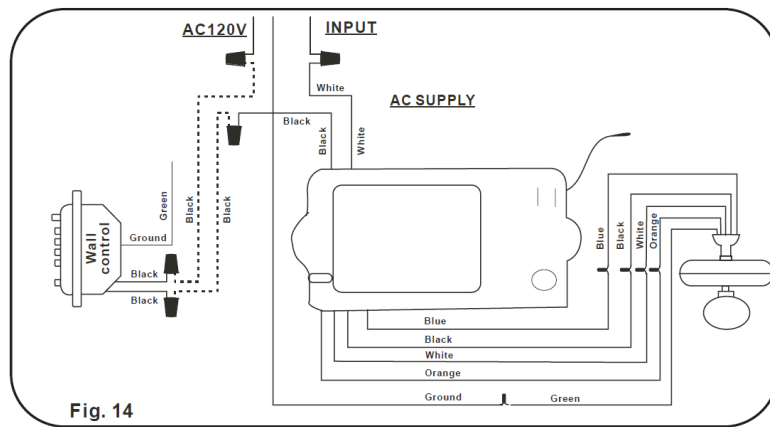
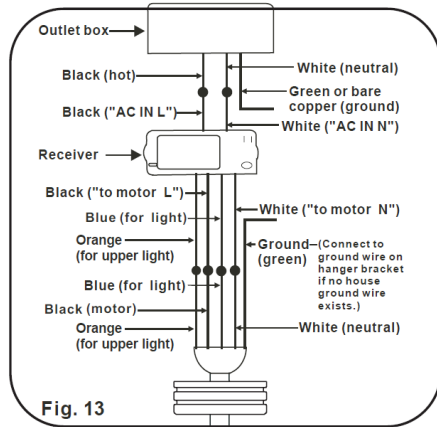
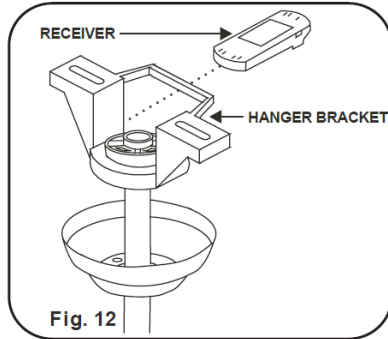
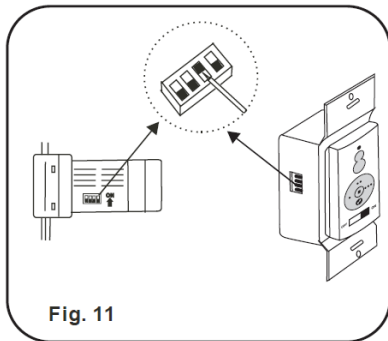
Note: Fan must be installed from a maximum distance of 40 feet from the transmitting unit for proper signal transmission between the transmitting unit and the fan's receiving unit.

Step 3. Receiver to House Supply Wires Electrical Connections: Connect the WHITE wire (neutral) from the outlet box to the WHITE wire marked "AC in N" from the receiver. Connect the BLACK wire (hot) from the outlet box to the BLACK wire marked "AC in L" from the receiver. Secure all wire connections with the plastic wire nuts provided (Fig. 15 and 16).

Step 4. If your outlet box has a GROUND wire (green or bare copper) connect this wire to the hanger ball and hanger bracket ground wires. If your outlet box does not have a ground wire, then connect the hanger ball and hanger bracket ground wires together. Secure wire connection with the plastic wire nut provided (Fig. 13 and 14).

After all splices are made, check to make sure there are no loose strands. As an additional precaution, we suggest securing the plastic wire connectors to the wires with electrical tape.

AXIS CEILING FAN

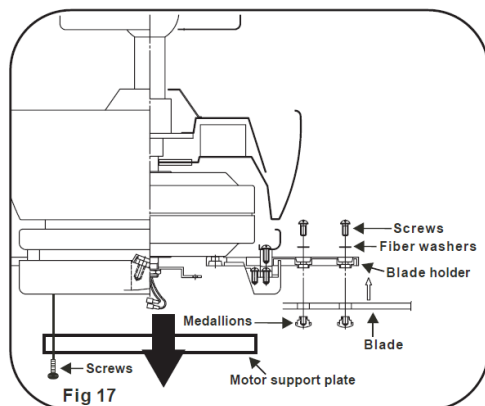
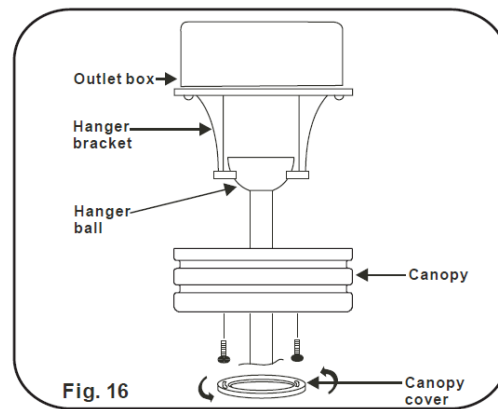


FINISHING THE INSTALLATION

- Step 1. Tuck connections neatly into ceiling outlet box.
- Step 2. Slide the canopy up to ceiling and over the two screws on hanger bracket. Rotate canopy clockwise. Next, while holding the canopy with one hand, slide the canopy cover over the screws and rotate clockwise until tight. Note: Adjust the canopy screws as necessary until the canopy and canopy cover are snug (Fig. 16).

BLADE INSTALLATION

- Caution: Remove the 5 screws from the motor support plate and discard the 5 screws and motor support plate (Fig. 17).
- Attach fan blade to the blade holder and blade medallion using the 4 screws and fiber washers provided. Tighten all 4 screws securely (Fig. 17). All blade sets are grouped together by weight. Because natural woods vary in density, the fan may wobble even though the blades are weight matched.



AXIS CEILING FAN

INSTALLING THE LIGHT PLATE

NOTE: Before starting installation, disconnect the power by turning off the circuit breaker or removing the fuse at fuse box.

1. Loosen (do not remove) the 3 screws from the mounting plate.
2. Raise and hold the light plate close to the mounting ring and proceed to do the wire connections. Connect the white wire connectors from the light kit and fan. Follow the same procedure with the black wire connectors (Fig. 18).
3. Place the light plate key holes over the 3 screws previously loosened from the mounting ring. Turn light plate until it locks in place at the narrow section of the key holes. Secure by tightening the 3 screws previously loosened (Fig. 18).

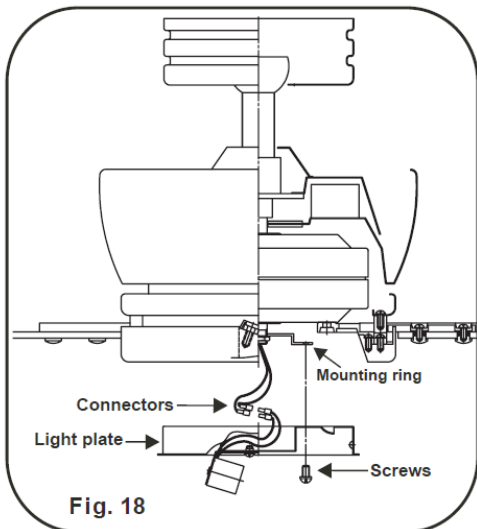


Fig. 18

INSTALLING THE LIGHT BULB & GLASS SHADE

WARNING: Shut off the power supply before removing or replacing lamp. In handling of halogen bulb, care should be taken not to touch it with your bare hands. Oil residue will shorten the life of the halogen bulb. If you accidentally come into contact, wipe thoroughly with a clean, lint-free, cotton cloth. Allow the bulb to cool off for 10 minutes before replacing. Use light bulb in accordance with the fan's specification.

TO REDUCE THE RISK OF FIRE, DO NOT EXCEED MAXIMUM WATTAGE RATING.

Step 1. Install 100W halogen bulb (included) (Fig. 19).

Step 2. Raise glass shade up against bottom of fan housing and secure it to fan by twisting glass clockwise until snug. DO NOT OVERTIGHTEN (Fig. 19).

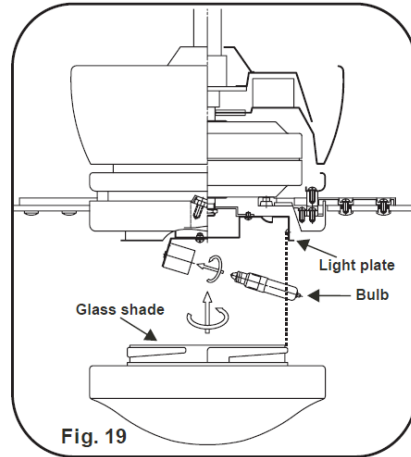


Fig. 19

CARE OF YOUR FAN

Here are some suggestions to help maintain your fan.

Because of the fan's natural movement, some connections may become loose. Check the support connections, brackets and blade attachments twice a year. Make sure they are secure. (It is not necessary to remove fan from the ceiling.)

Clean your fan periodically to help maintain its new appearance over the years. Use only a soft brush or lint-free cloth to avoid scratching the finish. Plated finishes are sealed with lacquer to minimize discoloration or tarnishing.

Use a lint-free lightly damp cloth or duster to remove dust from the blades.

There is no need to oil your fan. The motor has permanently lubricated bearings.

If your fan is provided with glass shades, clean with lukewarm soapy water and a soft cloth or sponge. DO NOT IMMERSE GLASS SHADES IN HOT WATER. DO NOT PUT GLASS SHADES INTO AN AUTOMATIC DISHWASHER.

WARNING!

MAKE SURE THE POWER IS OFF AT THE ELECTRICAL PANEL BOX BEFORE YOU ATTEMPT ANY REPAIRS. REFER TO THE SECTION, "ELECTRICAL CONNECTIONS."