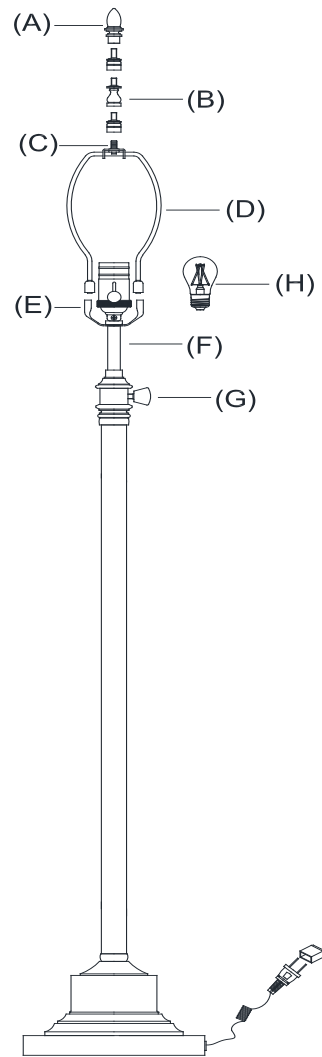


# RH

## LIBRARY FLOOR LAMP

### PARTS ENCLOSED

- (A) Finial (1)
- (B) Risers
  - Risers, 5/8" (2)
  - Riser, 1" (1)
- (C) Harp Post (1)
- (D) Harp (1)
- (E) Harp Saddle (1)
- (F) Pole (1)
- (G) Adjustment Key (1)
- (H) LED Bulb (1)



## LIBRARY FLOOR LAMP

**IMPORTANT SAFETY INSTRUCTIONS**

For safety purposes, this lamp is equipped with a polarized plug (one blade is wider than the other). If the plug does not fit securely into outlet, do not force it - contact a professional electrician. Use the plug with an extension cord only if it can be fully inserted into the cord's socket. Never alter the plug in any way.

This fixture has been rated for up to (1) 150-Watt maximum TYPE A 3-way standard bulb or one (1) 42-Watt CFL light bulb (not included) or one (1) 9-Watt SBLED light bulb (H) (included). To avoid the risk of fire, do not exceed the recommended wattage.

**WARNINGS**

All wires are connected. When unpacking, be careful not to pull wires, as a bad connection may result. Do not connect electricity until your fixture is fully assembled. To reduce the risk of fire, electrical shock, or personal injury, always turn off fixture and allow it to cool prior to replacing the light bulb. Do not touch or look directly at the bulb when fixture is illuminated. Keep flammable materials away from lit bulb.



**WARNING:** This product can expose you to lead, which is known to the State of California to cause cancer and birth defects or other reproductive harm. For more information, go to [www.P65Warnings.ca.gov](http://www.P65Warnings.ca.gov).

**THIS IS NOT A TOY AND THE PRODUCT HAS NO PLAY VALUE.**



**WARNING: STRANGULATION HAZARD**

Keep cord at least 3 ft away from cribs, bassinets, and toddler beds. Keep out of reach of children under 3.

**ASSEMBLY & INSTALLATION**

1. Carefully remove all parts from the box and remove all plastic covering.
2. Insert Harp (D) into the Harp Saddle (E).
3. Insert Bulb (H) into threaded socket.
4. Unscrew the Finial (A) from the Harp Post (C) and place the desired shade (sold separately) over the Harp (D).
5. Attach the Finial (A) and tighten to secure the shade.
6. Shade Risers (B) can be used to increase the height of harp and raise the lampshade for proper fitting. At eye level, the bottom of the shade should sit just below the Harp Saddle (E) and above the top of the lamp base.
7. Plug into proper electrical outlet and test fixture.
8. Assembly is complete.

**HEIGHT ADJUSTMENT**

1. Loosen Adjustment Key (G) in the counter-clockwise direction.
2. Adjust lamp by pulling or pushing Upper Pole (F) up or down to desired height.
3. Tighten the Adjustment Key (G) in the clockwise direction.

**CARE INSTRUCTIONS**

Do not use polishes or cleaners on your lamp. Just wipe clean with a soft cloth.