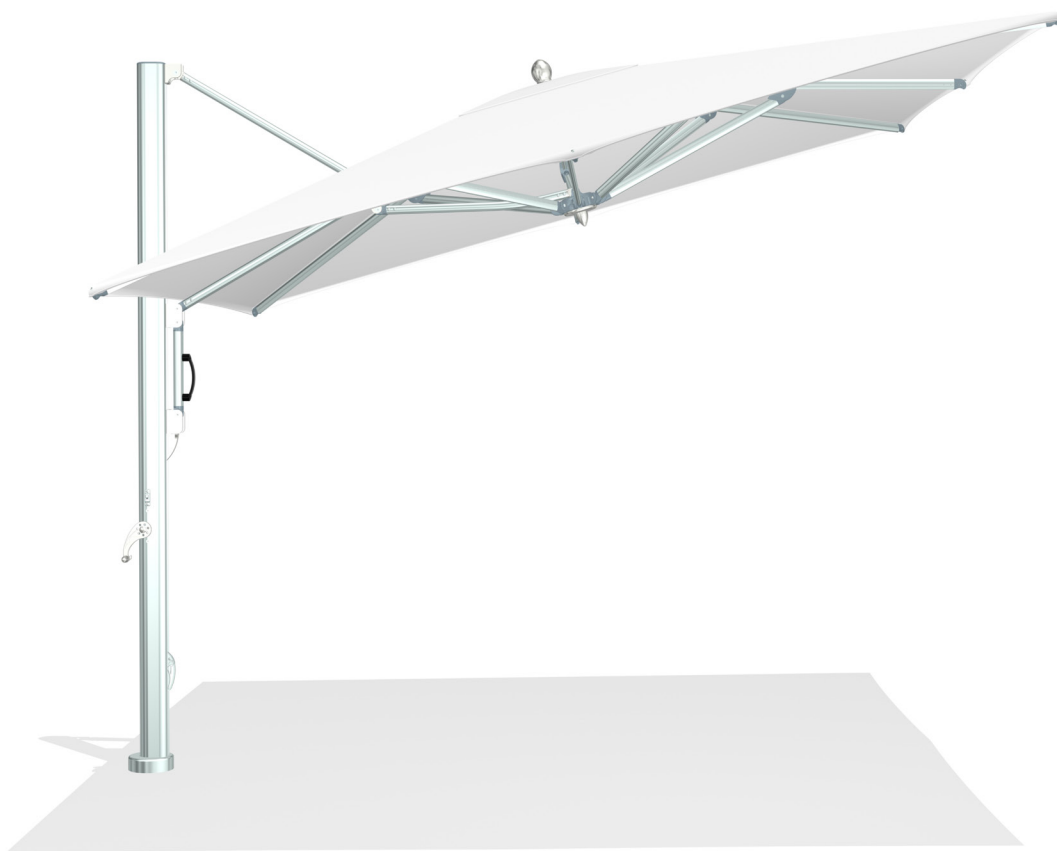


to protect your product, please read the operating instructions before opening the parasol

TUUCI | MAX cantilever with tilt



assembly & operating instructions

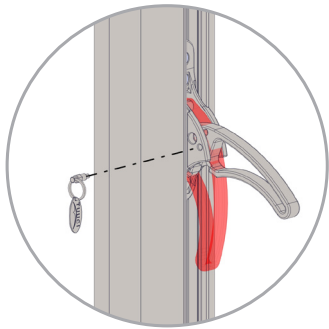
applies to:
ocean master MAX cantilever & plantation MAX cantilever

Step 1

Remove all packaging from umbrella, including inside the umbrella.

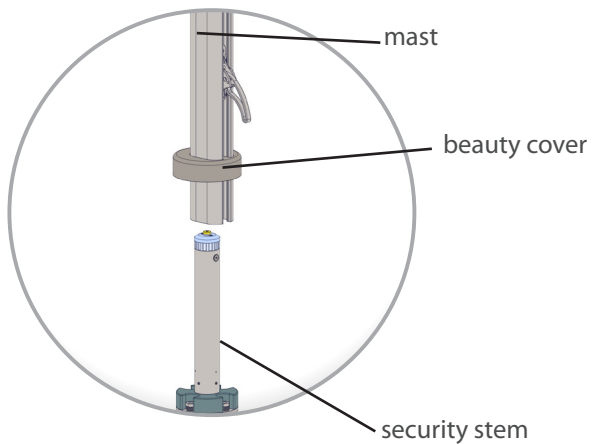
Step 2

Pull pin to unlock and make sure cam lock handle is open.



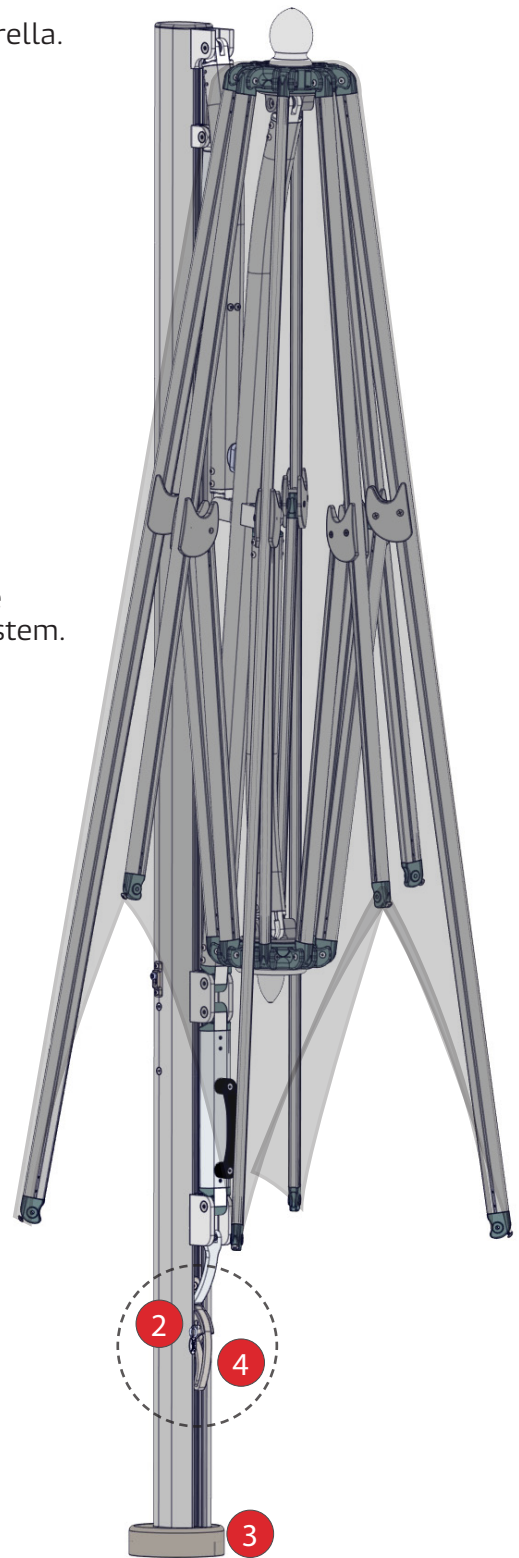
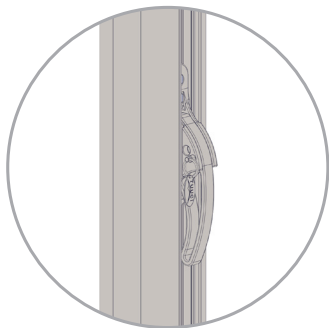
Step 3

Once the security stem is installed in its desired location, slide the beauty cover over the mast and insert the mast into the security stem.



Step 4

Push cam lock handle until it engages in the proper gear slot then lock handle with pin.



applies to:



square



octagon



rectangle

OPENING UMBRELLA

Step 5

Gently separate each rib individually from center hub approx. 10 inches. If rib does not move easily do not force. Inspect product for additional packaging.

Step 6

Lift cart lever to release tension and to unlock canopy frame.

Step 7

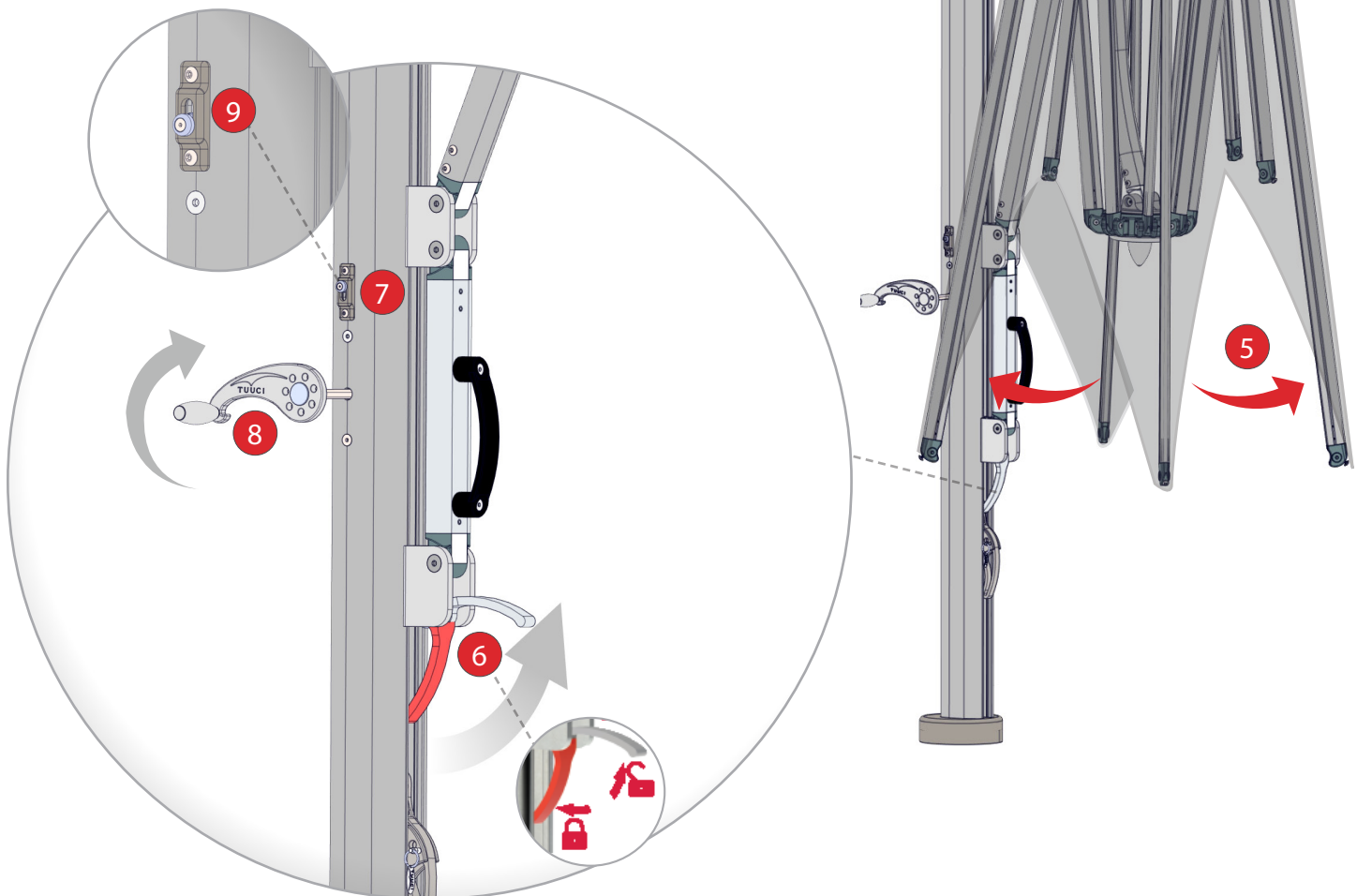
Make sure the gear lock button is in the top/unlock position before turning crank handle.

Step 8

Insert crank handle and rotate clockwise.

Step 9

Once umbrella is fully deployed, engage gear lock and remove crank handle. Make sure to store crank handle in a safe place.



ADJUSTING CANOPY ANGLE

Step 10

Make sure cart lever is unlocked.

Step 11

The angle of the canopy can be adjusted to a desired position by moving the cart handle up or down, lock the position by setting the cart lever down.



CLOSING UMBRELLA

Step 12

Lift cart lever to release tension and to unlock.

Step 13

Make sure the gear lock button is in the top/unlock position before turning crank handle.

Step 14

Insert crank handle and rotate counterclockwise, until it stops.

Step 15

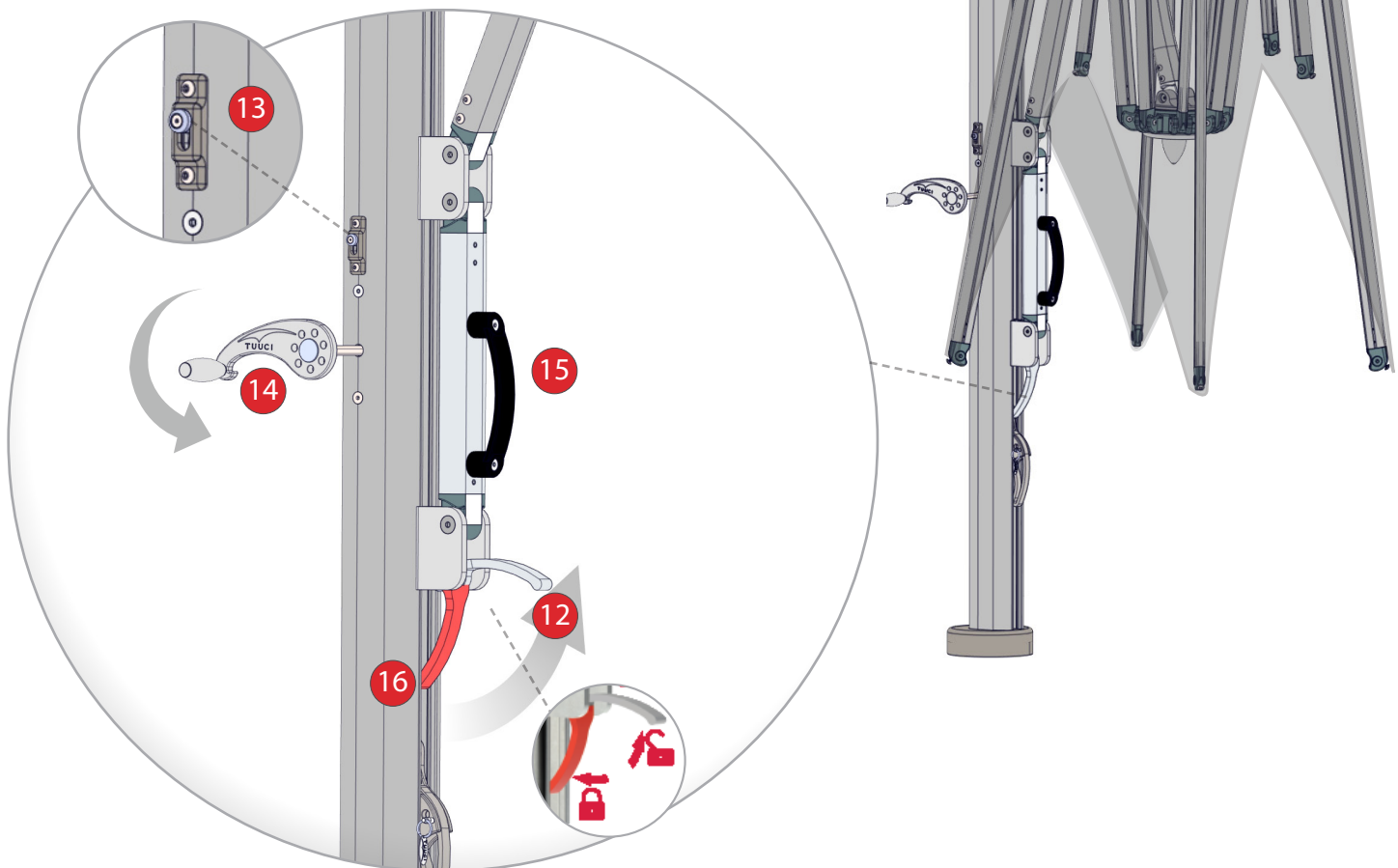
Lower cart to bottom.

Step 16

Collapse the umbrella frame in full against the mast, then lock the closed position by setting the cart lever down.

Step 17

Tie back umbrella canopy when not in use.



Note: close umbrella during wind conditions that exceed manufacturer's specifications.

TUUCI frames are constructed from durable, marine-grade, weather-resistant materials including: fiberglass, armor-wall aluminum, Dura-TEAK composites, Aluma-TEAK aluminum and sustainable hardwood. All fasteners (nuts, bolts, pulleys, cam cleats, etc.) are marine-grade stainless steel and will withstand the most corrosive environments. Proper care and maintenance is important to extend the serviceable life of all TUUCI products. We recommend the following:

- Fresh water rinses once a week
- Weekly inspection of your TUUCI product is recommended. Loose screws should be tightened and any broken components replaced immediately to avoid further damage to your product.
- Prior to opening, ensure that the shade product is properly secured to an adequate shade anchor system.
- When opening a TUUCI parasol, separate each rib 10 inches from the center post, before raising the hub. Do not force hub if it does not rise easily.
- When closing the parasol, pull the fabric out from between the struts to avoid pinching or damaging the TUFF-SKIN canopy membrane.
- TUUCI recommends that all collapsible shade equipment be closed in wind conditions that exceed 25 MPH.
- Clean above-ground parasol bases regularly to maintain appearance. To clean, gently wash with soap and water using a nonabrasive cloth or pad.
- Check bolts in security stem regularly to ensure that they remain fully tightened.
- Do not roll Aluma-crete (Aluminum Shell, Concrete Filled) bases on their side as damage to shell or finish can occur.
- Do not use on stairways or over distances that exceed 50 feet, as damage to welded wheel tray may occur.
- Canopy should be cleaned regularly and can be cleaned without being removed from the frame. Hose down and clean with a mild soap and lukewarm water (no more than 100° F.) using a soft bristle brush. Rinse thoroughly to remove soap. Allow fabric to air dry.
- Do not use a pressure washer to clean canopies.