



PARTS INCLUDED

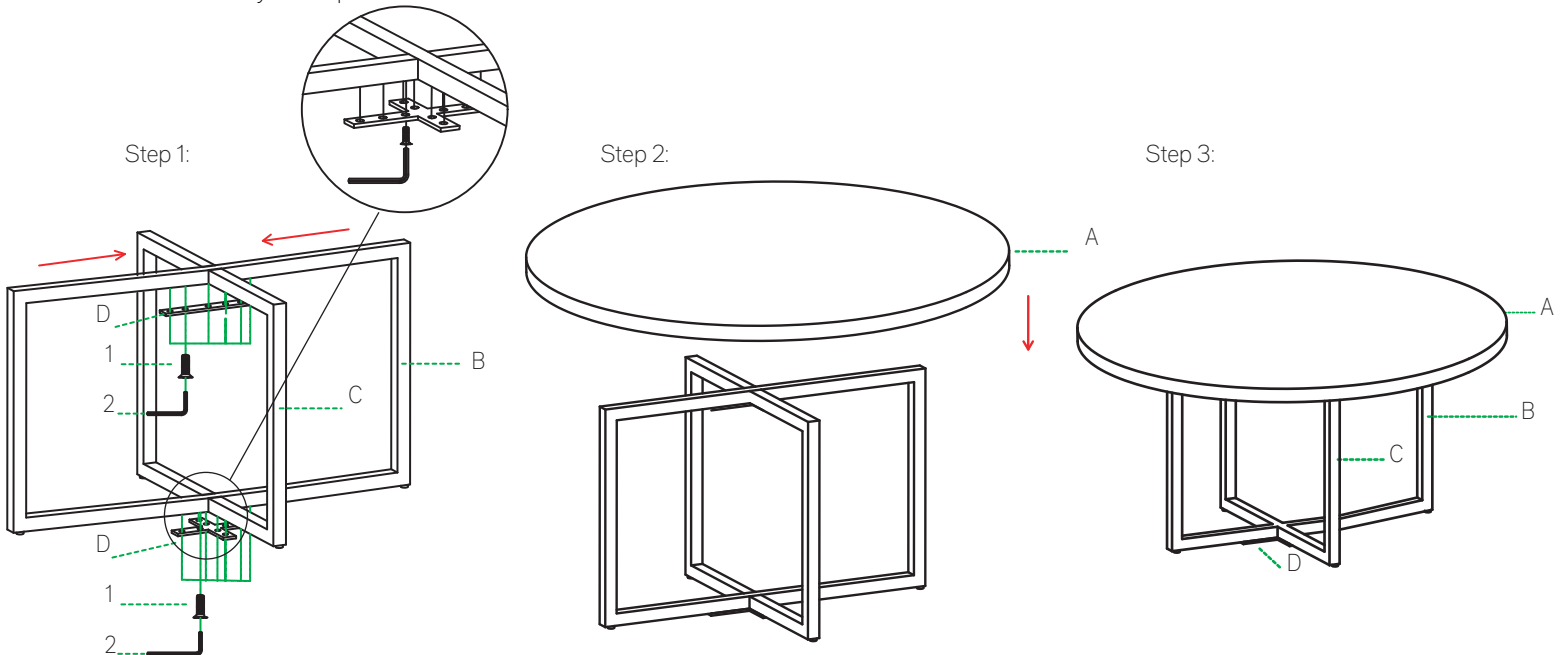
- A [1] MARBLE TOP
- B [1] LONG BASE SUPPORT
- C [2] SHORT BASE SUPPORT
- D [2] STEEL CONNECTIONS

HARDWARE INCLUDED

NO.	ITEM	DESCRIPTION	QTY.
1		Hex Socket Bolt (M8x16)	13 Pcs.
2		Allen Key	1 Pcs.

ASSEMBLY INSTRUCTIONS

1. Please find the corresponding numbered parts before you assemble the unit. Turn the base support (B)(C) upside down on a flat floor covered with a layer of protective material.
2. Position the long base support (B) and the short base supports (C) as shown below. Attach the steel connections onto the underside of the base at top and bottom. Using the hex socket bolts (1), connect the base supports together and tighten bolts with the Allen key (2) as shown in Step 1.
3. Place the marble top (A) onto the assembled base as shown in Step 2.
4. Assembly is complete.



CARE INSTRUCTIONS

1. Keep the marble top free of dust and dirt to minimize scratches and wear patterns that can result from everyday use.
2. Clean the marble on a regular basis with warm water and a clean, non-abrasive cloth or sponge. In addition, using a neutral cleaner specifically formulated for natural stone will help remove soil that normal dusting or damp wiping may leave behind.
3. Do not use general-purpose cleaners or you may damage the marble or the sealer. Do not use products that contain lemon, vinegar or other acids, as these may etch the marble surface or damage the polish. Do not use scouring powders or creams; these products contain abrasives that may scratch the surface. Products that contain bleach should not be used to clean marble surfaces.

IMPORTANT SAFETY INSTRUCTIONS

1. Exercise care and caution when moving furniture as careless handling may cause injury and damage.
2. Never drag furniture. Always lift it.
3. Periodically check all connections to ensure none have come loose.
4. Re-tighten as and when necessary, Incorrect assembly of furniture can be dangerous.
5. Assembly should be carried out by competent personal.
6. No liability will be accepted for damage or injury caused by incorrect assembled furniture.
7. Heavy item warning: Take care and seek assistance when lifting heavy furniture to avoid personal injury and or damage to product.