

# RH

## STACKED CANOPY BED INSTRUCTIONS











Thank you for choosing this quality product. Be sure to check all packaging materials carefully for small parts that may have become loose during shipment and place all parts on a non-abrasive surface.

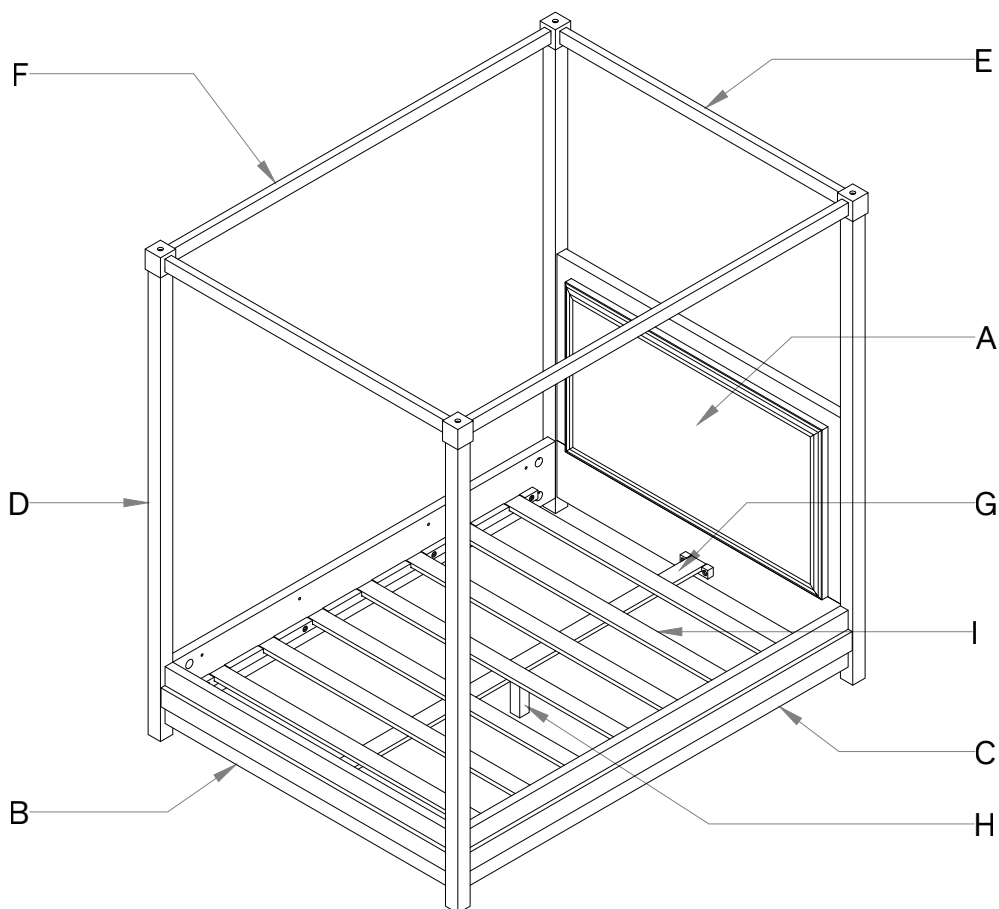
**WARNING:** These bed parts can be cumbersome and heavy to some people, therefore the assistance of two or more people is recommended in order to prevent personal injury and ensure the bed parts are not damaged during the assembly process.

### PARTS INCLUDED

- A [1] HEADBOARD
- B [1] FOOTBOARD
- C [2] SIDE RAILS
- D [4] POSTS
- E [2] SHORT CANOPY RAILS
- F [2] LONG CANOPY RAILS
- G [1] CENTER SUPPORT SLAT
- H [2] CENTER SUPPORT LEG
- I [7] BED SLATS

### HARDWARE INCLUDED

NO.	ITEM	DESCRIPTION	QTY.
1		Threaded Rod 5/16" x 3"	12 PCS
2		Allen bolt	4 PCS
3		Threaded Rod 5/16" x 4-1/2"	8 PCS
4		Hex nut	20 PCS
5		Lock washer	24 PCS
6		Curved slotted washer	20 PCS
7		Wrench	2 PCS
8		Plain washer	12 PCS
9		Allen wrench	1 PC
10		Screws	14 PCS



## ASSEMBLY INSTRUCTIONS

### STEP 1:

Unpack each component and place on a flat, non-abrasive surface.

### STEP 2:

Lay the headboard (A) and post (D) on a working surface with the hardware of the post facing inside. Secure the threaded rods (1) to the fixed nuts of the post by simply turning it manually. Bring the post against one end of the headboard and align the threaded rod (1) to go through the holes. Insert curved washers (6), lock washers (5) and hex nuts (4) on threaded rods (1) and tighten the hex nuts (4) by hand. Please see **FIGURE 01**.

### STEP 3:

Insert the locator end of the short canopy rail (E) into the post (D) and secure with Allen head bolt (2) provided. Please see **FIGURE 02**.

### STEP 4:

Repeat steps 2, 3 and 4 for footboard (B), post (D) and short canopy rail (E) assembly.

FIGURE 01

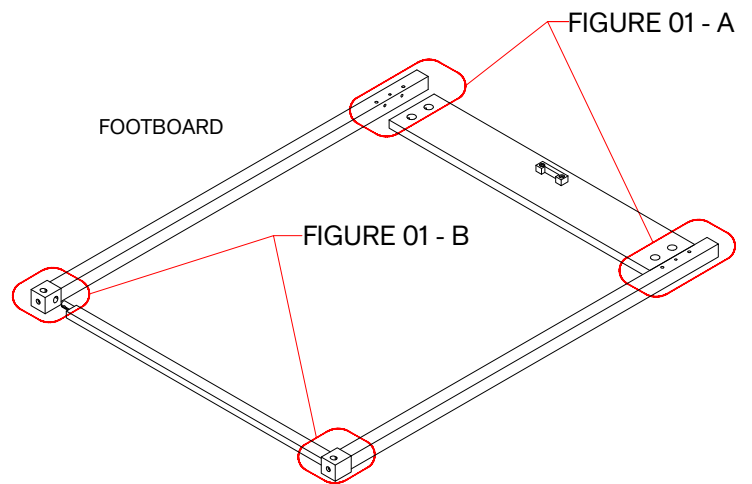
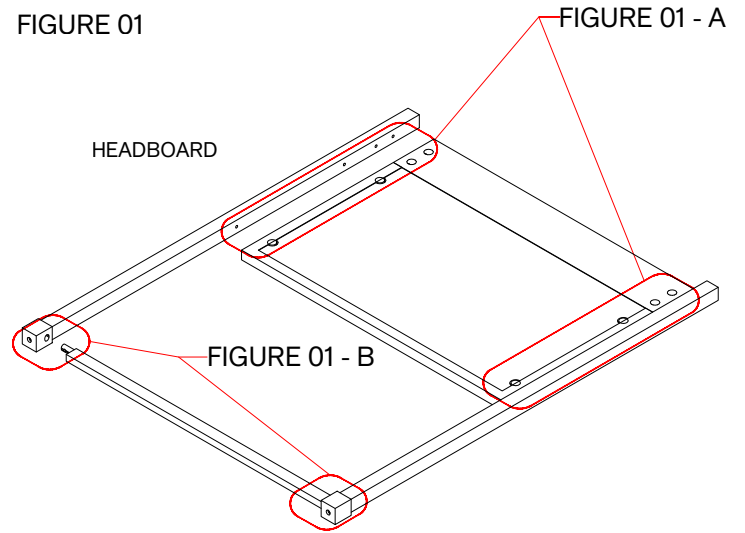


FIGURE 01 - A

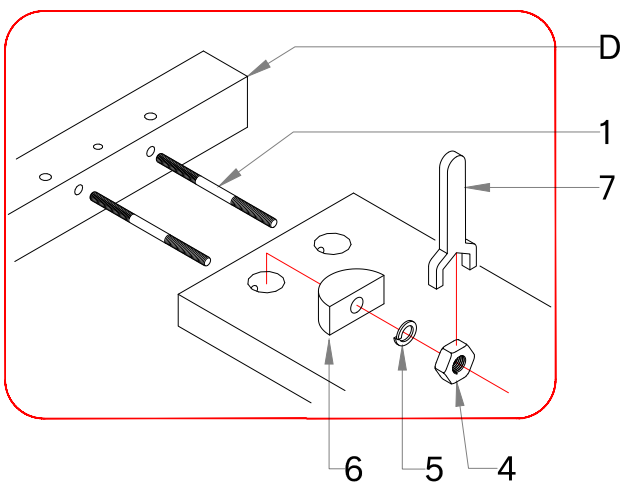


FIGURE 01 - B

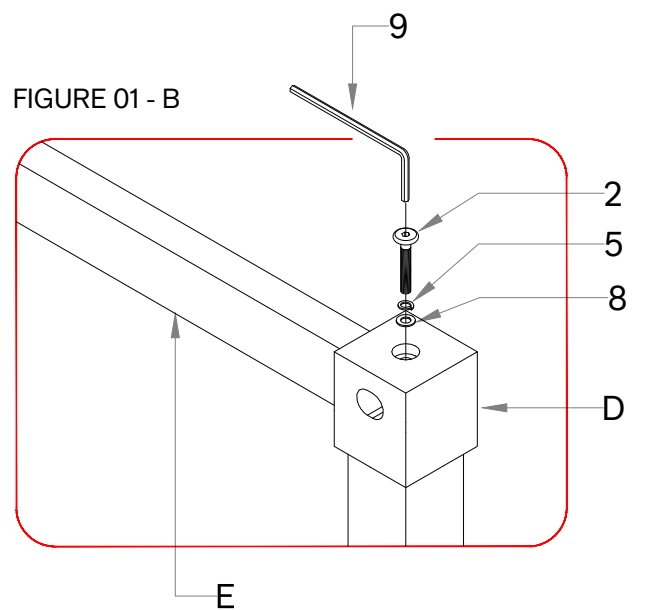


FIGURE 02

**STEP 5:** Place the headboard (A) upright in the location you wish the bed to be in when fully assembled. The headboard (A) hardware should be facing the inside, toward the mattress. Secure the threaded rods (2) to the fixed nuts in the headboard (A) by simply turning manually. Raise the side rail (C) and place the threaded rods (2) to align with the holes on the end of the side rails (C). Position the side rails (C) against the headboard (A) so the threaded rods (2) go through the holes. Insert curved washers (6), lock washers (5) and hex nuts (4) on threaded rods (2) and tighten with Allen wrench (7) provided, as shown in **FIGURE 02**.

**Note:** At this stage do not tighten the bolts for the long canopy rail (F).

**STEP 6:** Repeat the above procedure with the other side rail (B) to attach it to the headboard (A) and then repeat to connect side rails (C) to the footboard (B).

**STEP 7:** Using a ladder, install the long canopy rail (F) on top of the post and secure it with Allen head bolt (B), lock washer (5) and plain washers (8) provided.

**Note:** Tighten all the bolts to a snug fit.

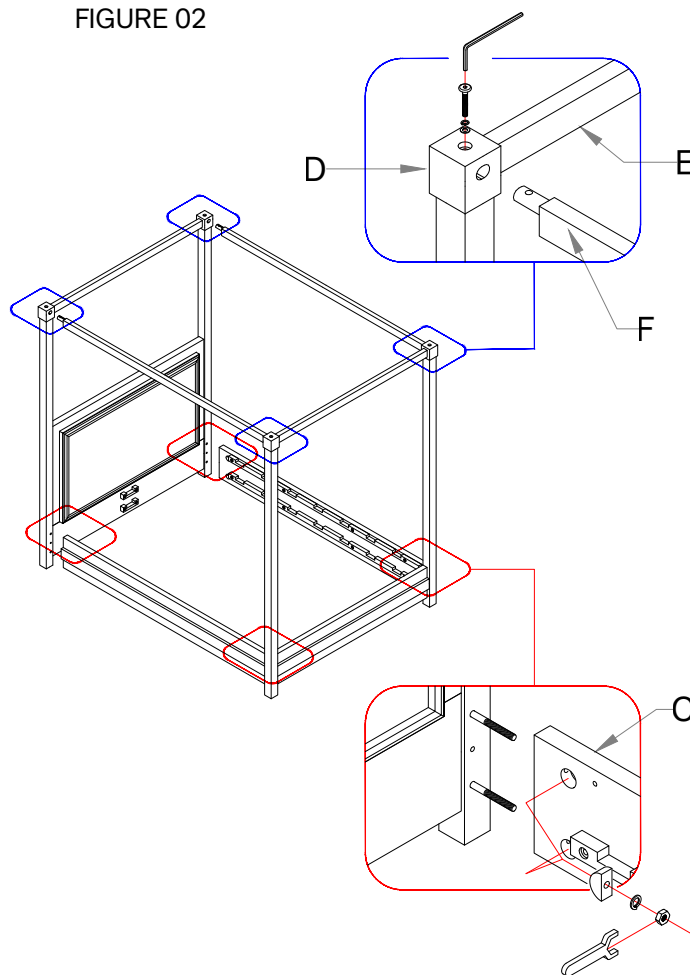


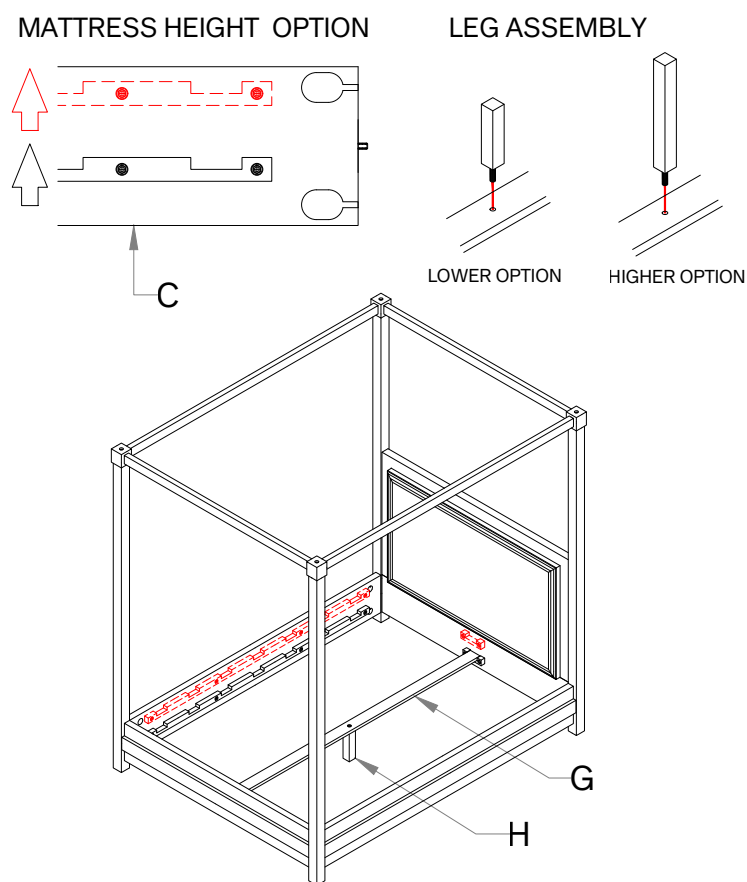
FIGURE 03

**MATTRESS HEIGHT OPTION:** Before installing the slat support (F), determine the desired height of the side rail cleats and brackets on both headboard and footboard. The cleats have been pre-installed to the lower position (box spring level). Please see **FIGURE 03**.

For use with no box spring, remove the Allen head bolt and re-attach the cleats and brackets into the higher set of holes with insert nuts pre-installed. Please see **FIGURE 03**.

**STEP 8:** Install the center support leg (H) on the slat support (G). Set the slat support (G) on the wooden brackets of both headboard (A) and footboard (B).

**Note:** Leg (H) assembly must correspond to your **MATTRESS HEIGHT OPTION**.



### STEP 9:

On inside surface of both side rails (C) are cleats designed to hold individual bed slats (I). Set the individual bed slats (I) on the cavities and secure this with screws (10) provided. Please see sketch below.

### CARE INSTRUCTIONS

- Dust often using a clean, soft, dry lint-free cloth.
- Blot spills immediately, and wipe with a clean, damp, cloth.
- We do not recommend the use of chemical cleansers, or abrasive cleaners.

