

RH

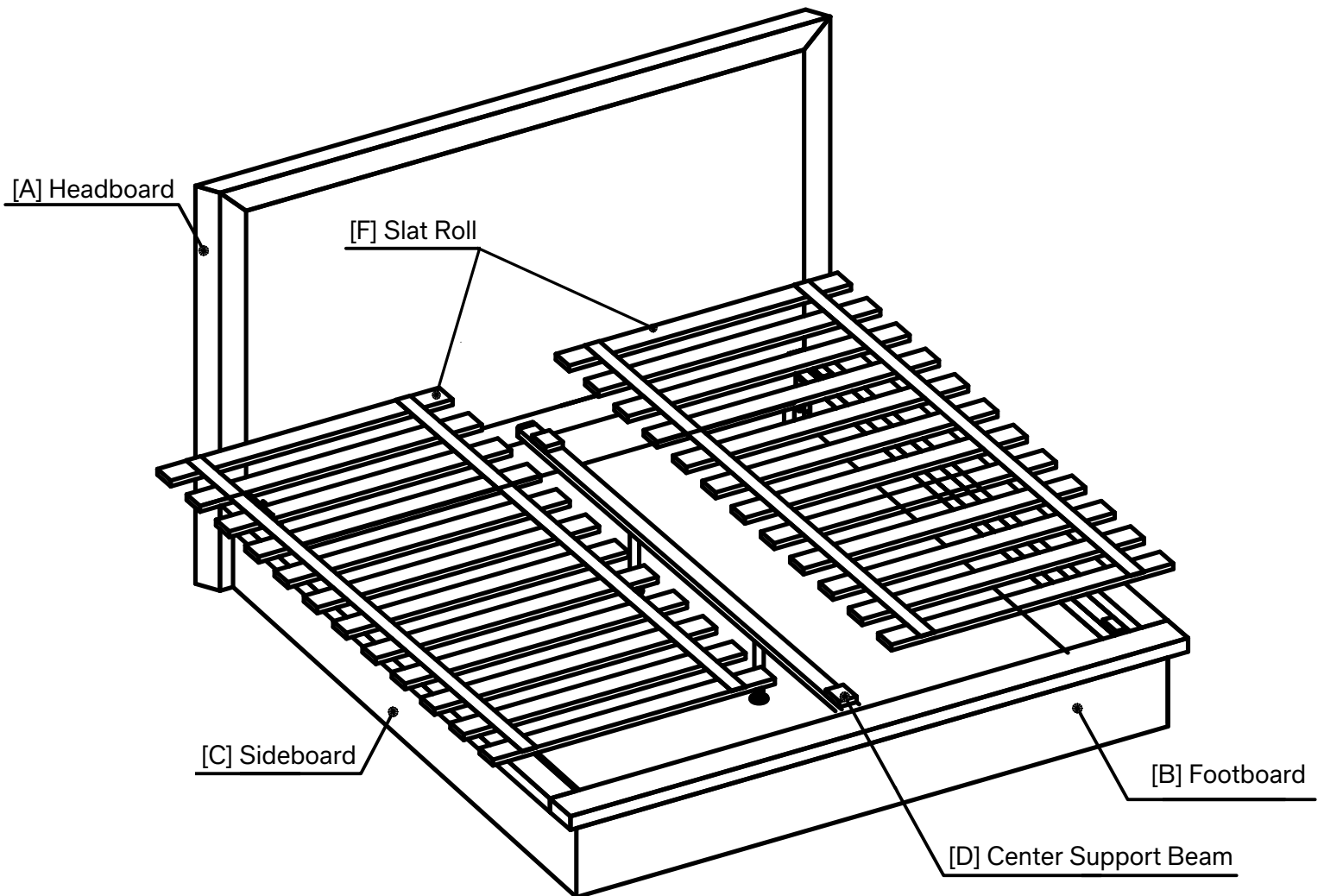
RIDGELINE PANEL BED

PARTS ENCLOSED:

- A. Headboard (1)
- B. Footboard (1)
- C. Side Rail (2)
- D. Center Support Beam (1)
- E. Slat Roll (2)

TOOLS NEEDED:

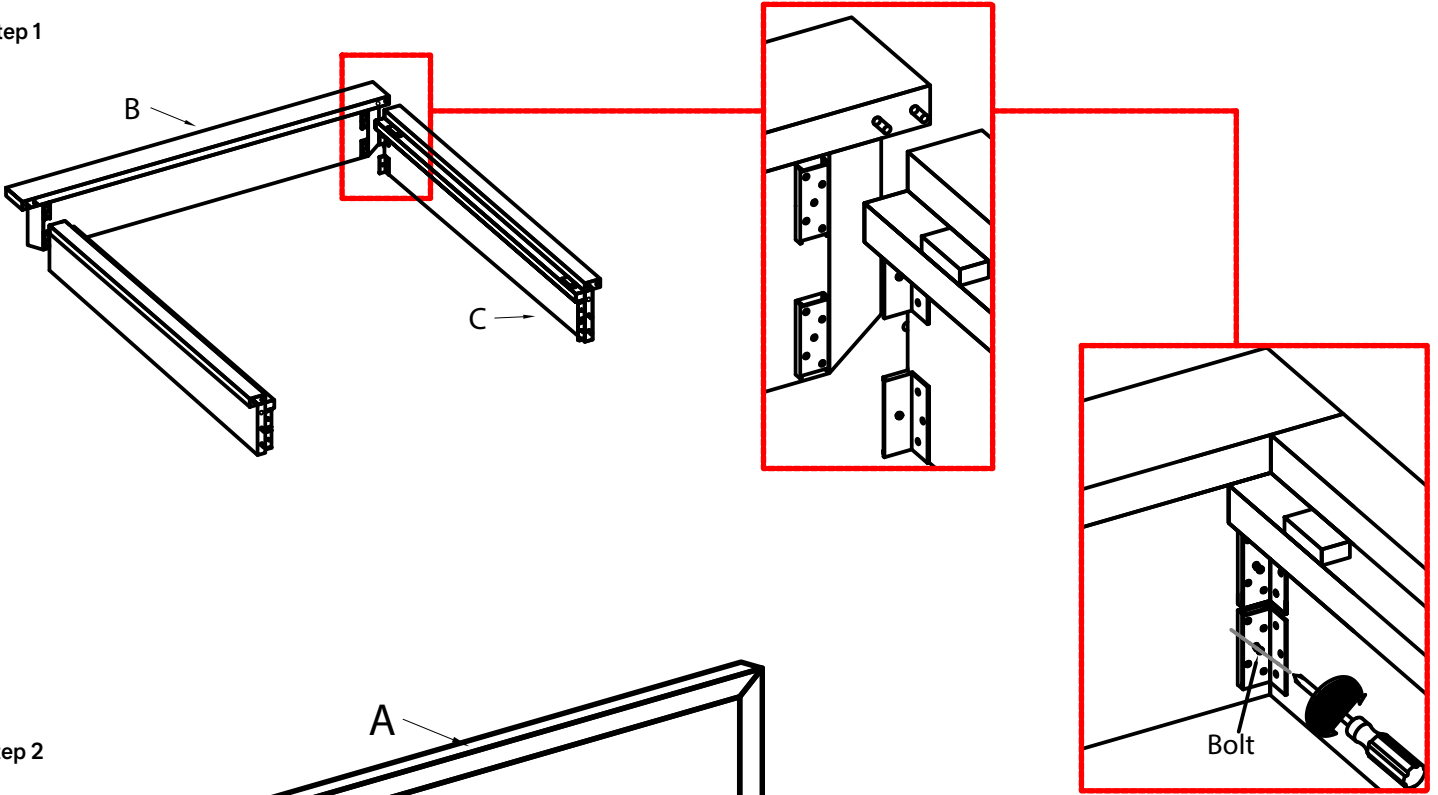
Phillips Head Screwdriver (not included)



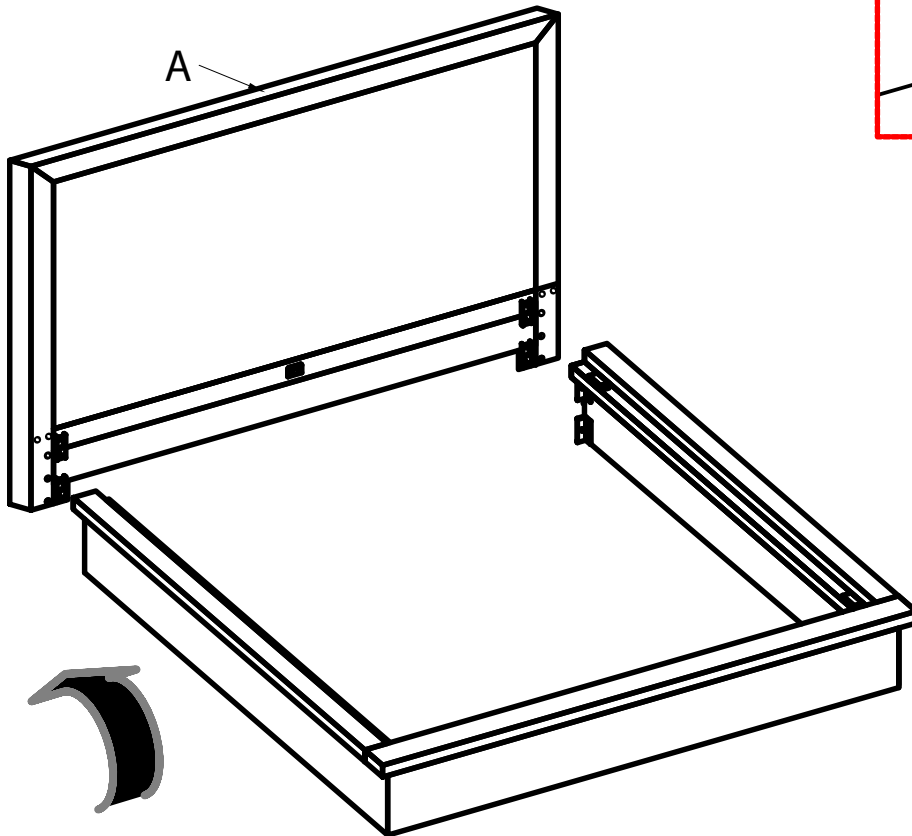
RH

RIDGELINE PANEL BED

Step 1



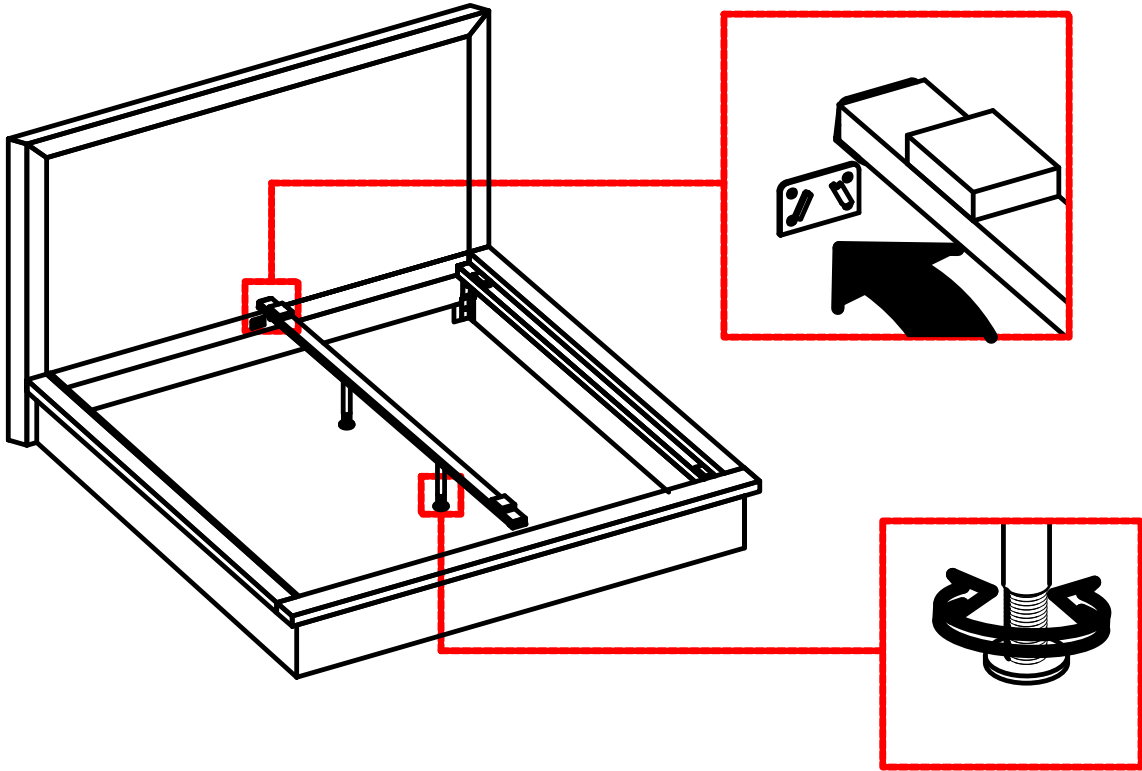
Step 2



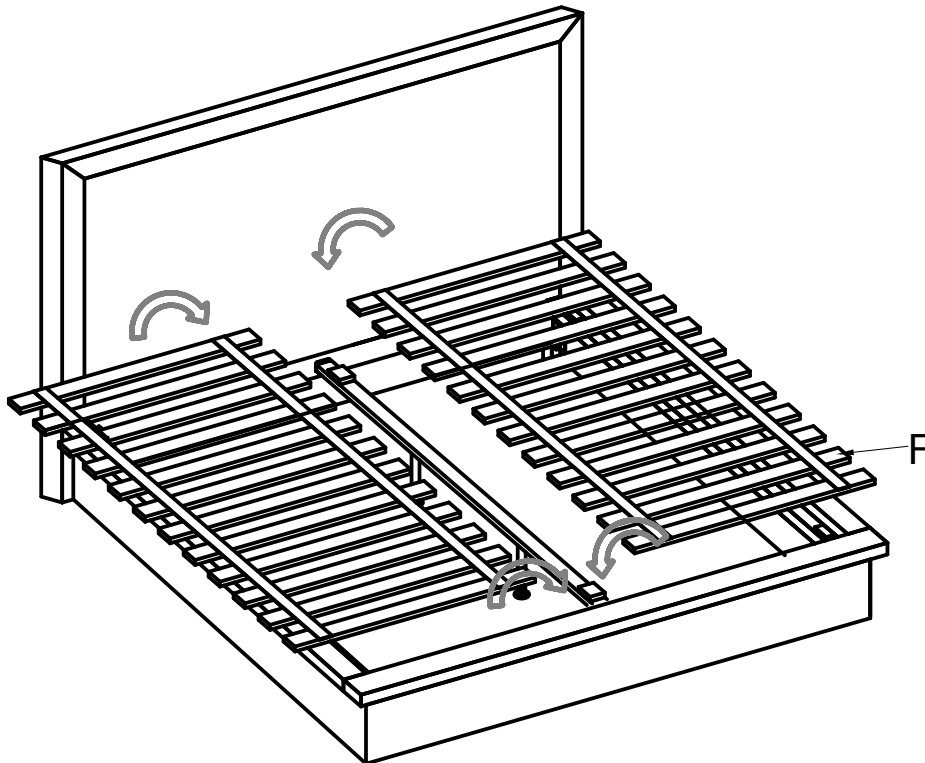
RH

RIDGELINE PANEL BED

Step 3



Step 4



IMPORTANT PLEASE READ

IMPORTANT SAFETY INSTRUCTIONS

This furniture must be assembled by at least two people. These instructions are written assuming two people are assembling it.

CARE INSTRUCTIONS

1. Clean periodically by wiping the furniture lightly with a soft, clean cloth.
2. We don't recommend using abrasive or chemical cleaners on the furniture as they may damage the finish.

ASSEMBLY & INSTALLATION:

1. Carefully unpack the parts from the carton.
2. Position the Side Rail (C) onto the Footboard (B), aligning the dowels and the metal clips. Using a screwdriver, tighten the bolts. (Step 1)
3. Repeat the steps with the Headboard (A). (Step 2)
4. Position the Center Support Beam (E) onto the metal brackets on the Headboard and Footboard, and adjust the support legs as needed so they are resting on the floor. (Step 3)
5. Position the Slat Rolls (F) onto the assembled bed frame. (Step 4)
6. Assembly is complete.