

PROVENCE CANOPY DOUBLE CHAISE

PARTS INCLUDED

A [1] TEAK CANOPY TOP WITH RAIL AND RING



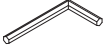

B [4] TEAK POSTS

C [1] DOUBLE CHAISE

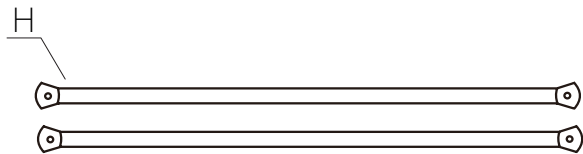
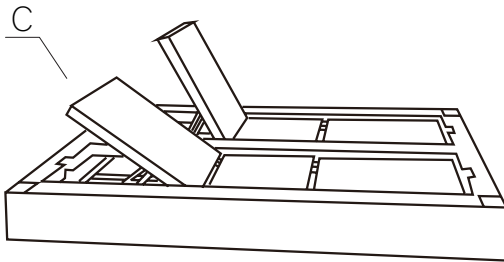
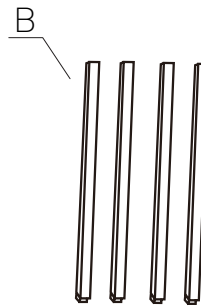
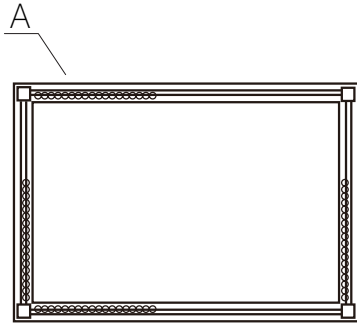
H [2] ALUMINUM POLES (FOR FABRIC CANOPY)

IMPORTANT SAFETY INSTRUCTIONS

To prevent any damage, please put all parts on a soft surface during assembly.

NO.	ITEM	DESCRIPTION	QTY.
D		Bolts	8 pcs.
E		Washers	8 pcs.
F		Allen Wrench	1 pc.
G		Bolts	8 pcs.

SEE ASSEMBLY INSTRUCTIONS ON PAGE 2

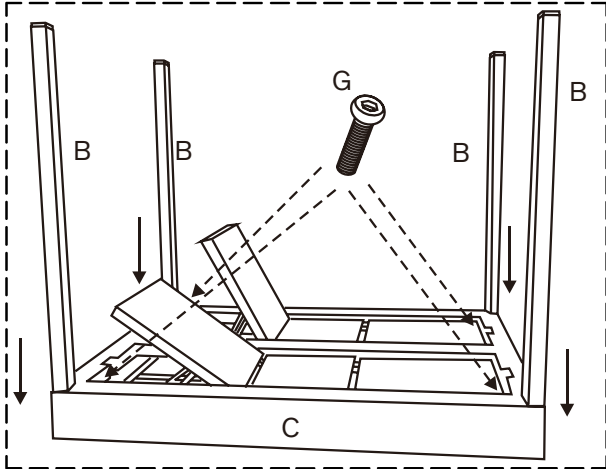


CARE INSTRUCTIONS

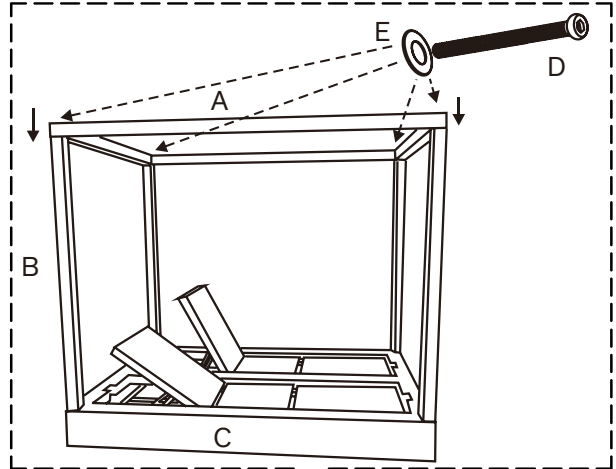
1. Before using, wipe with a clean, dry cloth. Do not use bleach or solvents. When not in use, store furniture in a cool, dry place.
2. Do not use bleach or solvents on fabrics. When cleaning the tabletop, make sure to use a soft, clean cloth that does not bleed colors.
3. Wash the frame with a mild solution of soap and water, rinse with clean water, and dry thoroughly.

PROVENCE CANOPY DOUBLE CHAISE

ASSEMBLY INSTRUCTIONS



STEP 1: Insert the teak post (B) into the corner hole of the chaise. Pull up the chaise back, then screw in bolt (G) with Allen wrench (F). Repeat for each post.



STEP 2: Place teak canopy top (A) on the teak posts (B), aligning the holes. Screw in bolts (D) with Allen wrench (F). Use aluminum pole (H) to attach canopy; see detail below.

