

MASLOW SPIDER ROUND ENTRY TABLE INSTRUCTIONS

Thank you for choosing this quality product. Be sure to check all packaging materials carefully for small parts that may have become loose during shipment and place all parts on a non-abrasive surface.

WARNING: These table parts can be cumbersome and heavy; the assistance of two or more people is recommended in order to prevent personal injury and ensure the table parts are not damaged during the assembly process.

PARTS INCLUDED **HARDWARE INCLUDED**

A [1] Tabletop	[4] Allen head bolt
B [1] Table base	[4] Plain washer
	[4] Lock washer
	[1] Allen wrench

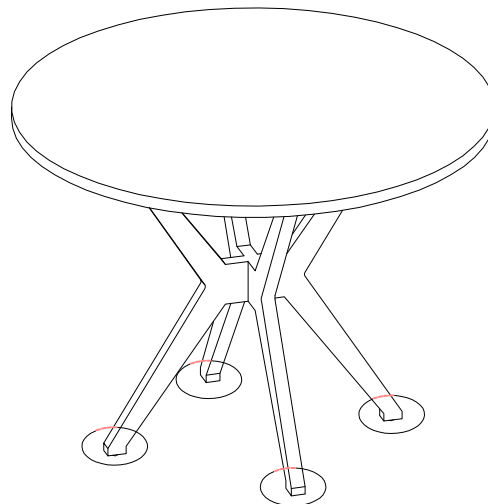
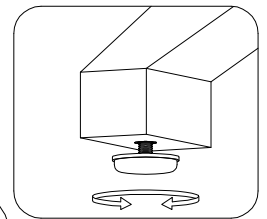
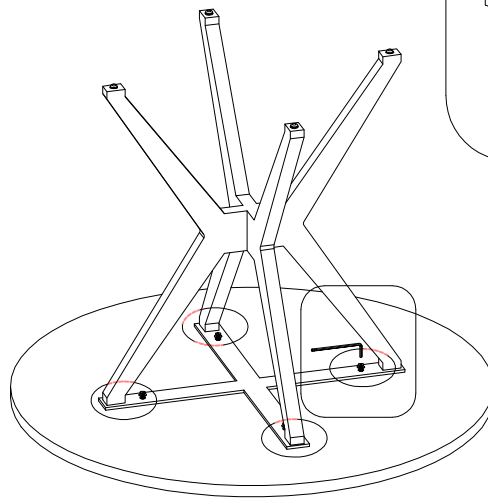
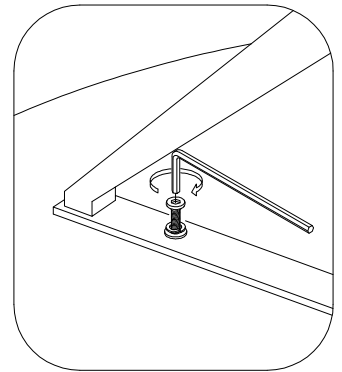
ASSEMBLY INSTRUCTIONS:

1. Unpack each component and gently place on a non-abrasive surface.

NOTE: Underneath the tabletop (A) are holes with pre-installed insert nuts that correspond to the holes on the mounting rail of the table base (B).

2. Gently turn the tabletop upside down and align the holes of the mounting rails on the base with the holes of the tabletop. Secure the top using Allen head bolts together with the plain washers and lock washers provided.

3. Tighten all the bolts to a snug fit. Gently turn fully assembled table upright and adjust glider on the legs to level if necessary.



CARE INSTRUCTIONS

- Dust often using a clean, soft, dry lint-free cloth.
- Blot spills immediately and wipe with a clean, damp cloth.
- We do not recommend the use of chemical cleansers, abrasives or furniture polish on our lacquered finish.

IMPORTANT SAFETY INSTRUCTIONS

- Do not place heavy objects on top.
- Never sit on, stand on or otherwise apply heavy pressure to the table.
- Do not allow children to play on or around the table.