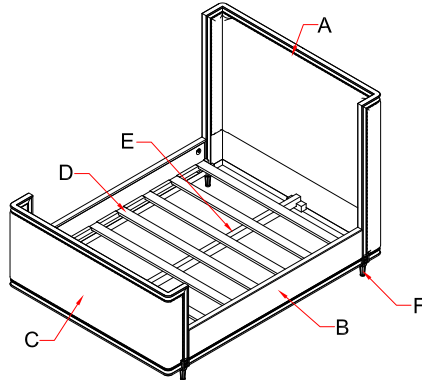


RH

MAISON SHELTER QUEEN BED WITH FOOTBOARD INSTRUCTIONS

PARTS INCLUDED

- A [1] HEADBOARD
- B [2] SIDE RAILS
- C [1] FOOTBOARD
- D [7] BED SLATS
- E [2] SUPPORT SLATS
- F [4] LEGS



HARDWARE INCLUDED

NO.	ITEM	DESCRIPTION	QTY.
1		Threaded rod	8 pcs.
2		Curved washer	8 pcs.
3		Lock washer	8 pcs.
4		Hex nut	8 pcs.
5		Wrench	1 pc.
6		Allen wrench	1 pc.

ASSEMBLY INSTRUCTIONS

1. Lay the headboard (A) on a flat surface then attach the Legs (F) to the bottom of the headboard by turning them manually. Repeat this step to attach the legs to the footboard (C). See FIGURE 1.
2. Place the headboard upright in the location you wish the bed to be in when fully assembled.
3. Secure the threaded rod (1) to the fixed nut on the headboard by simply turning manually.
4. Raise the side rail (B) up and place the rod to align with the bore holes on the end of the side rail. Put the side rail up against the headboard so the threaded rods go through the bore holes. Insert the curved washer (2), lock washer (3) and hex nuts (4) on the threaded rod. Tighten the hex nuts with the wrench (5) provided, as shown in FIGURE 2.
5. Repeat the above procedure with the other side rail to attach it to the headboard, and then repeat to connect side rails to the footboard.

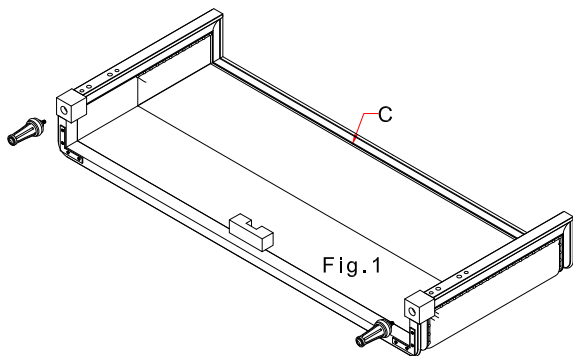
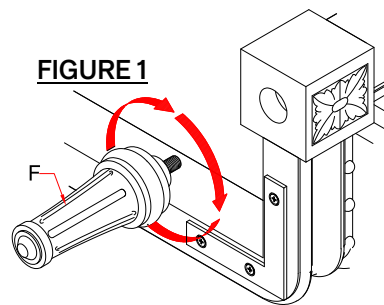
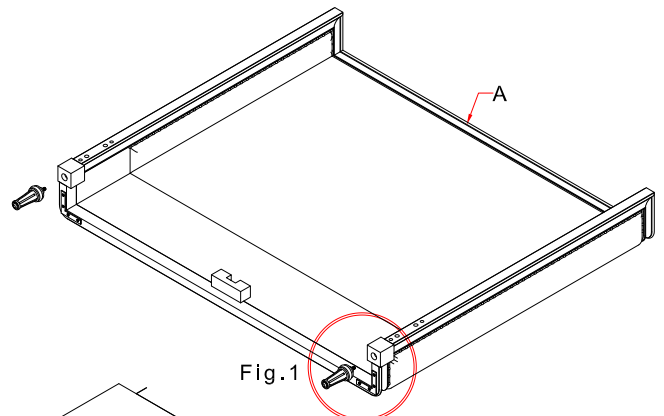
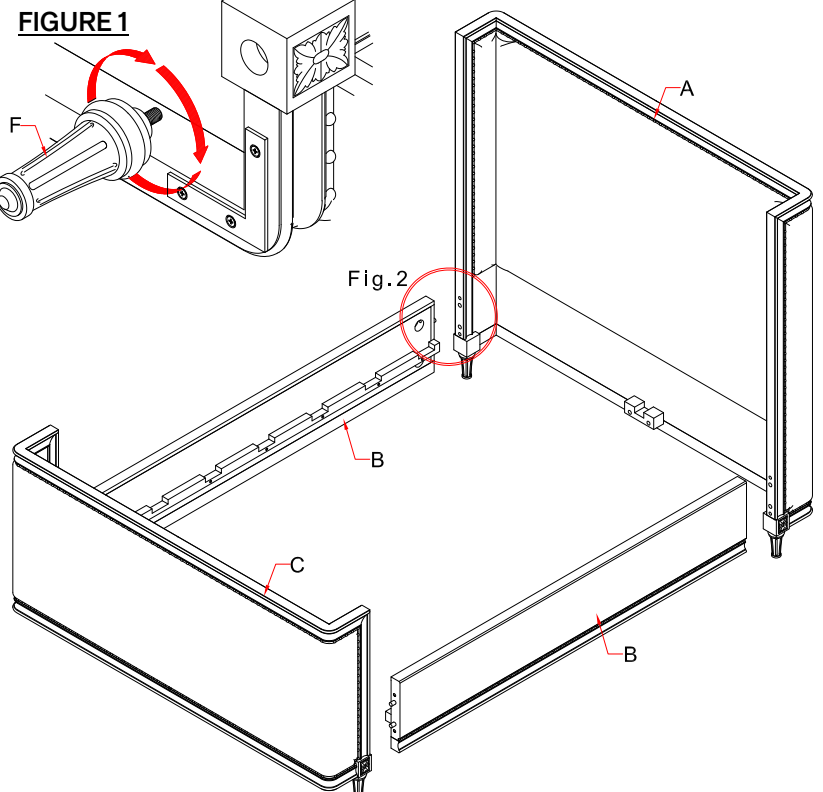
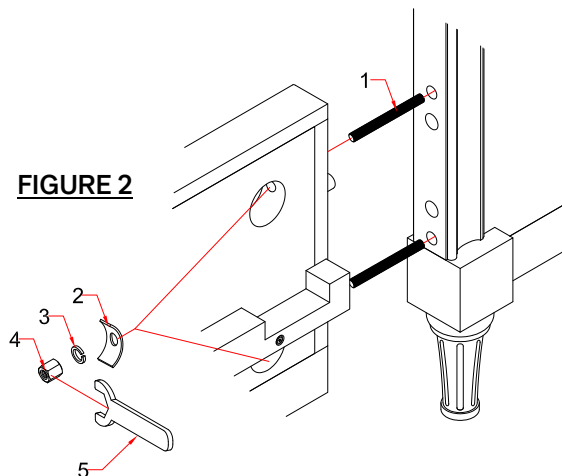


FIGURE 2



MAISON SHELTER QUEEN BED WITH FOOTBOARD INSTRUCTIONS

6. On the inside of both headboard and footboard are pre-installed wooden brackets for the support slat (E). Set the support slat on the wood bracket, as shown in FIGURE 3.
7. On the inside surface of both side rails are cavities designed to hold the individual bed slats (D). Set the individual slats on both sides of the side rail, as shown in FIGURE 4. Assembly is complete.

FIGURE 3

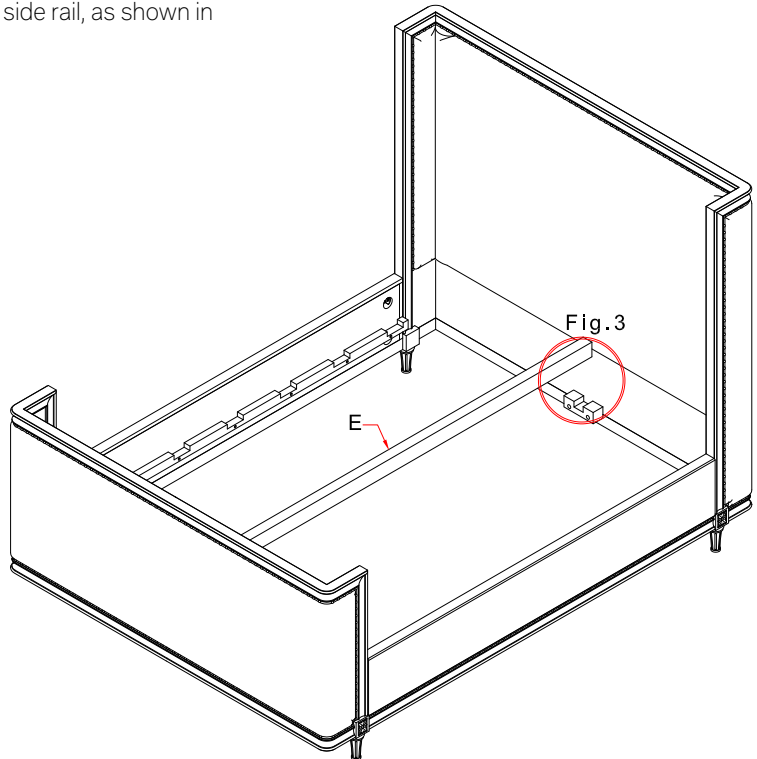
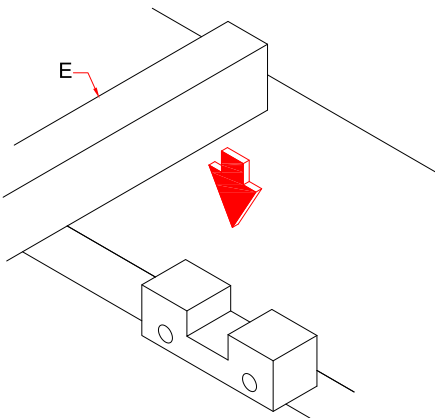
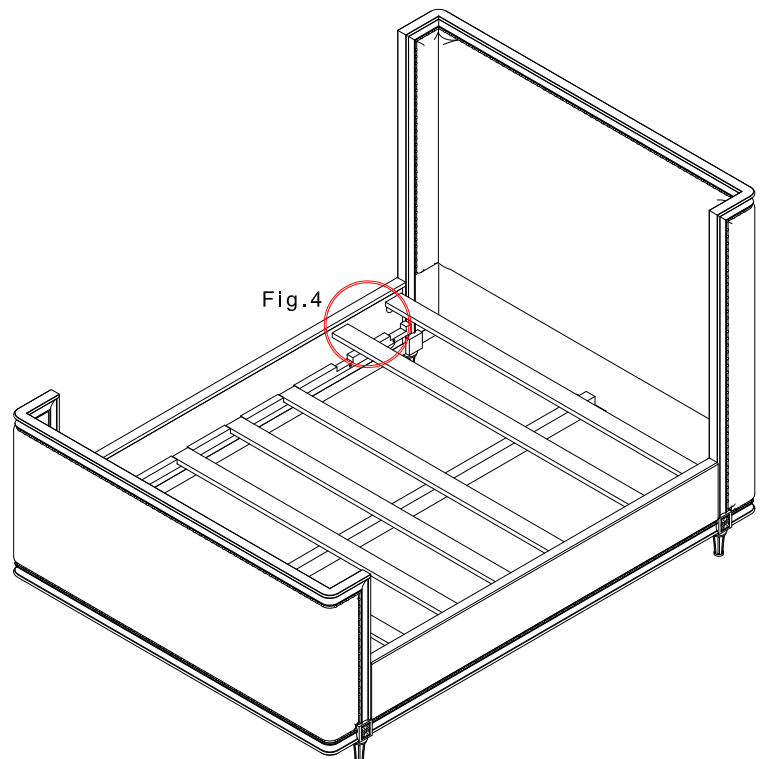
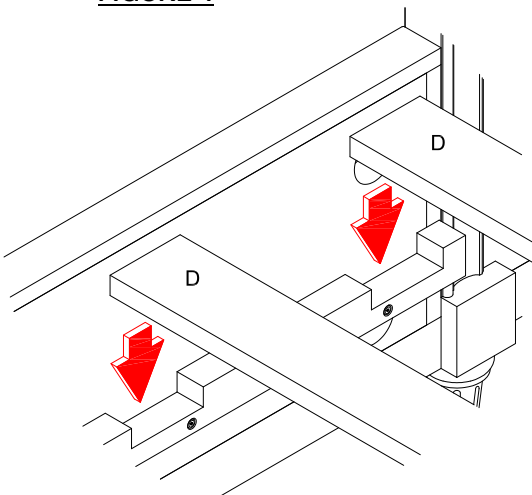


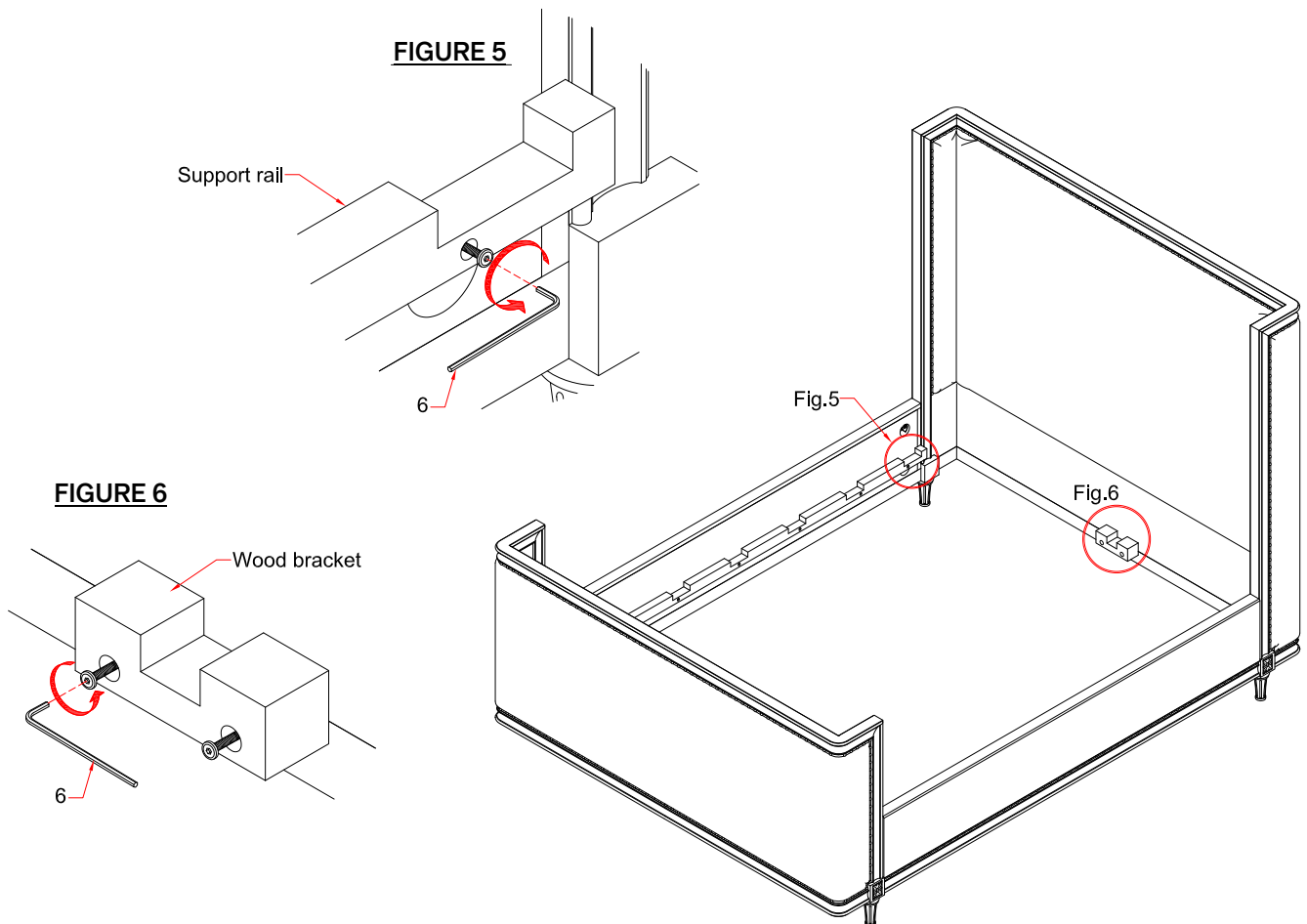
FIGURE 4



MAISON SHELTER QUEEN BED WITH FOOTBOARD INSTRUCTIONS

OPTION WITHOUT SLATS

9. To use the bed without the slats, repeat steps 1-5.
10. The support rail installed on the side rail can be removed by using the Allen wrench (6) provided to loosen the bolts installed on the rail. Refer to FIGURE 5.
11. Remove the wood brackets installed on the headboard and footboard by using the Allen wrench (6) to loosen the bolts installed on the bracket. Refer to FIGURE 6.



CARE INSTRUCTIONS

1. Dust often using a clean, soft, dry and lint-free cloth.
2. Blot spills immediately and wipe with a clean, damp cloth.
3. We do not recommend the use of chemical cleansers, abrasives or furniture polish on our lacquered finish.

IMPORTANT SAFETY INSTRUCTIONS

1. Please read all instructions carefully before assembling.
2. For your safety, assembly by two or more adults is strongly recommended.
3. Keep these instructions for future use.
4. Use only vendor-supplied hardware to assemble. Using unauthorized hardware could jeopardize the structural integrity of the item.