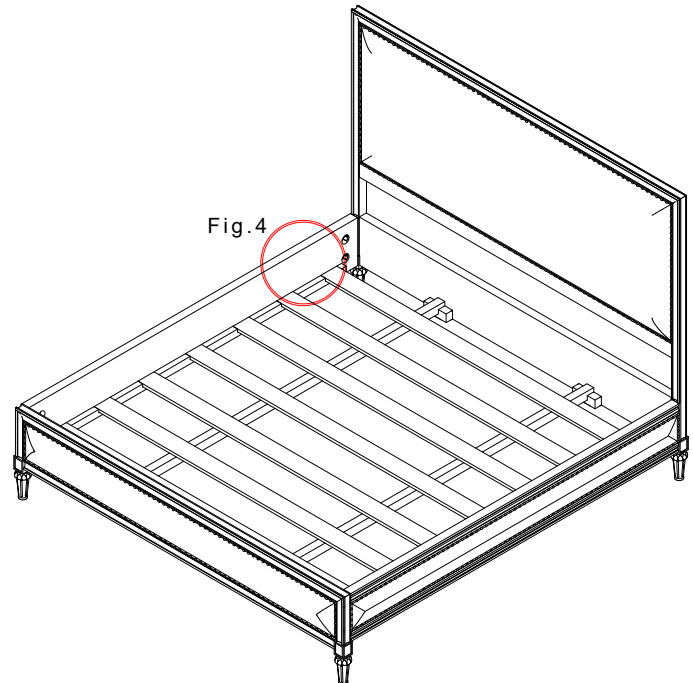
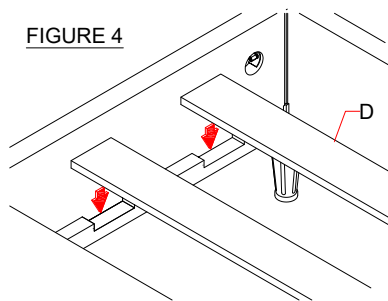
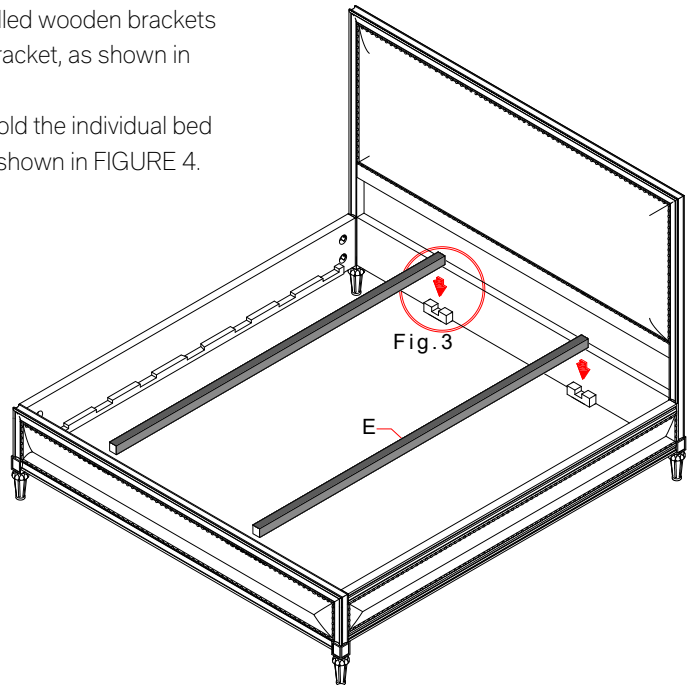
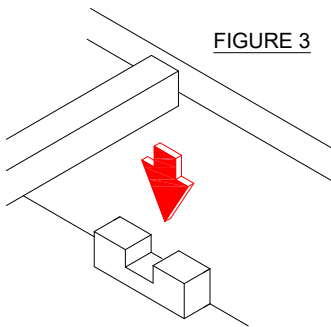


RH

MAISON PANEL KING AND CAL KING BED INSTRUCTIONS

6. On the inside of both headboard and footboard are pre-installed wooden brackets for the support slats (E). Set the support slats on the wood bracket, as shown in FIGURE 3.
7. On inside surface of both side rails are cavities designed to hold the individual bed slats (D). Set individual slats on both sides of the side rail, as shown in FIGURE 4.
8. Assembly is complete.



CARE INSTRUCTIONS

1. Dust often using a clean, soft, dry and lint-free cloth.
2. Blot spills immediately and wipe with a clean, damp cloth.
3. We do not recommend the use of chemical cleansers, abrasives, or furniture polish on our lacquered finish.

IMPORTANT SAFETY INSTRUCTIONS

1. Please read all instructions carefully before assembling.
2. For your safety, assembly by two or more adults is strongly recommended.
3. Keep these instructions for future use.
4. Use only vendor supplied hardware to assemble. Using unauthorized hardware could jeopardize the structural integrity of the item.