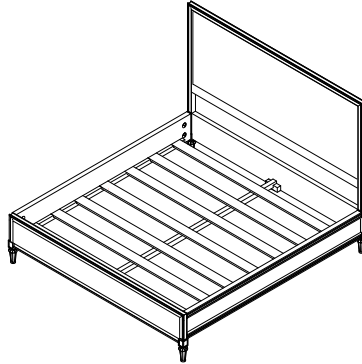


# RH






## MAISON CANED QUEEN BED INSTRUCTIONS

### PARTS INCLUDED

- A [1] HEADBOARD
- B [2] SIDE RAILS
- C [1] FOOTBOARD
- D [7] BED SLATS
- E [1] SUPPORT SLAT
- F [4] LEGS



### HARDWARE INCLUDED

NO.	ITEM	DESCRIPTION	QTY.
1		Threaded Rod	8 pcs.
2		Curved Washer	8 pcs.
3		Lock Washer	8 pcs.
4		Hex Nut	8 pcs.
5		Wrench	1 pc.

### ASSEMBLY INSTRUCTIONS

1. Lay the headboard (A) on a flat surface, then attach the legs (F) to the bottom of the headboard by turning them manually. Repeat this step to attach the legs to the footboard (C). See FIGURE 1.
2. Place the headboard upright in the location you wish the bed to be in when fully assembled.
3. Secure the threaded rod (1) to the fixed nut on the headboard by simply turning manually.
4. Raise the side rail (B) and place the rod to align with the holes on the end of the side rail. Position the side rail against the headboard so the threaded rods go through the holes. Insert curved washer (2), lock washer (3) and hex nuts (4) on the threaded rod then tighten the hex nuts with the wrench (5), as shown in FIGURE 2.
5. Repeat the above procedure with the other side rail to attach it to the headboard, and then repeat to connect side rails to the footboard.

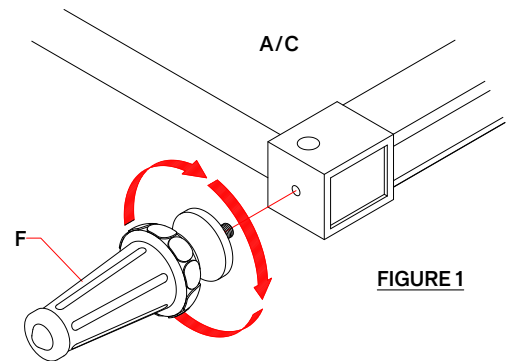


FIGURE 1

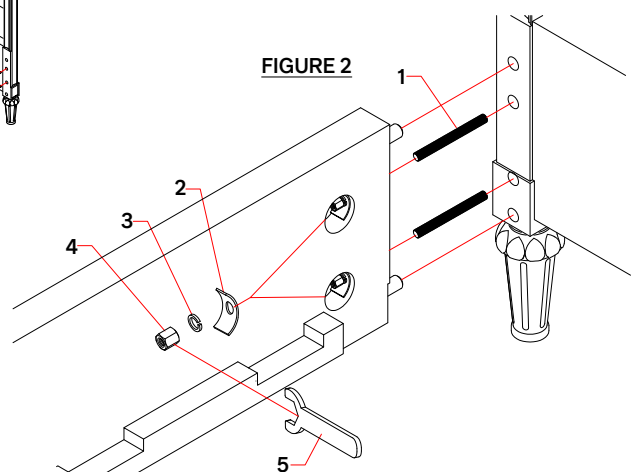
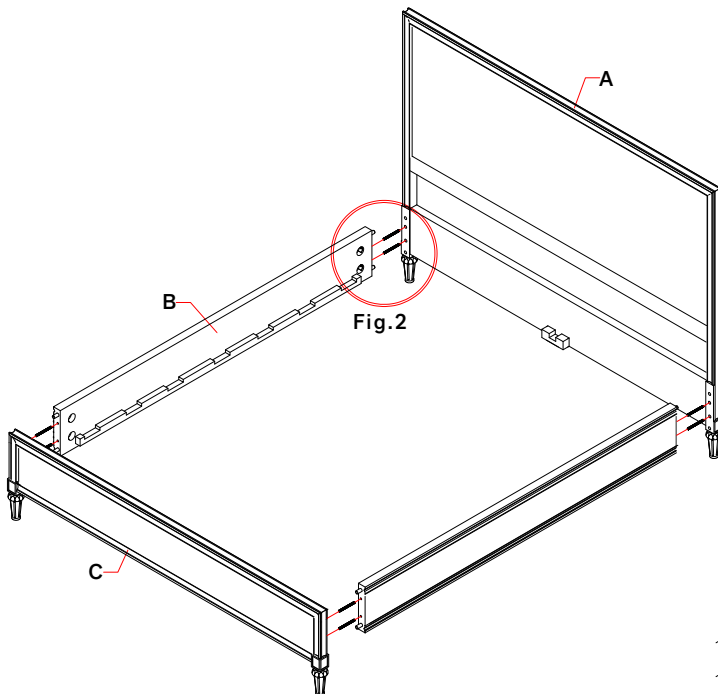
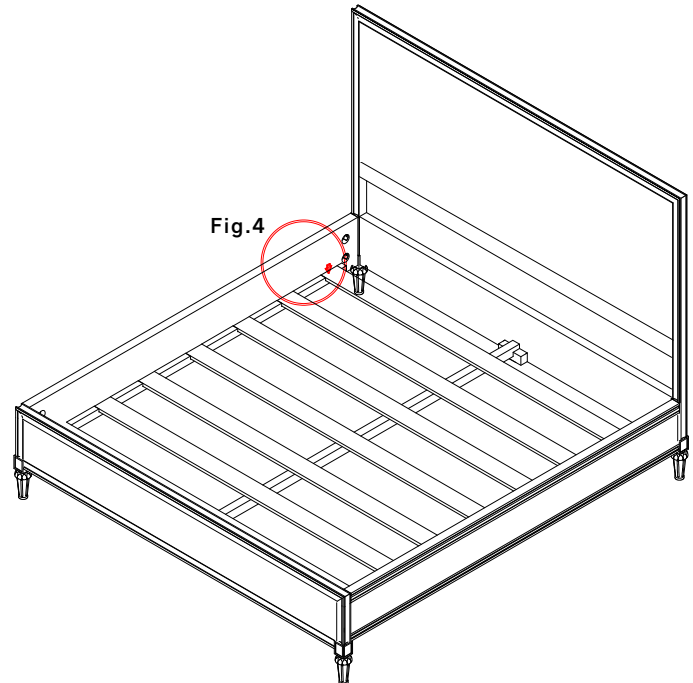
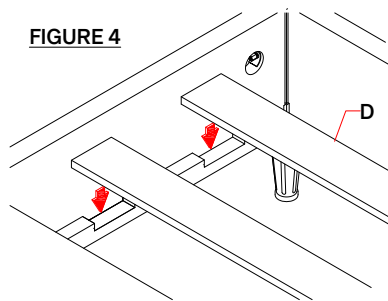
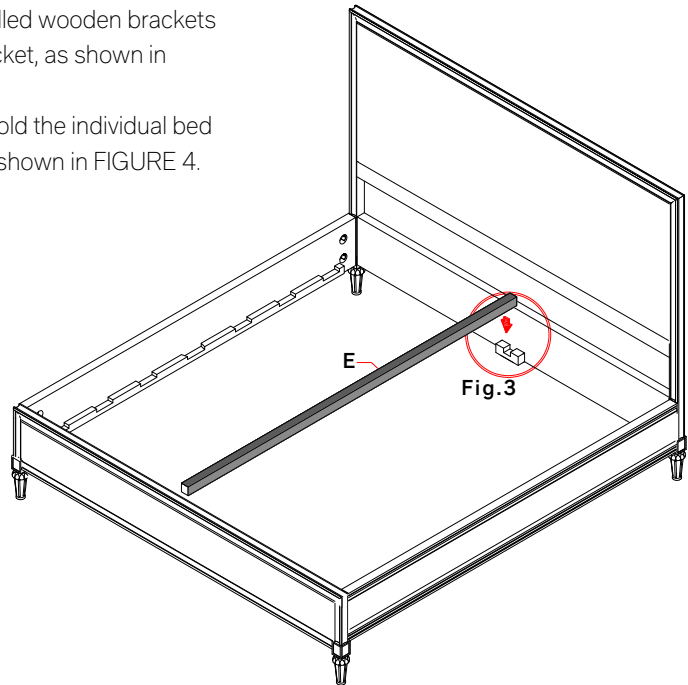
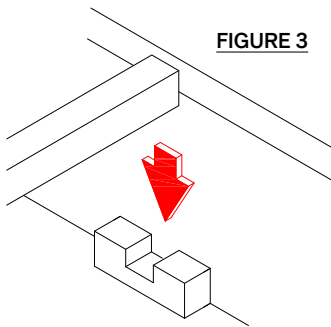


FIGURE 2

# RH

## MAISON CANED QUEEN BED INSTRUCTIONS

6. On the inside of both headboard and footboard are pre-installed wooden brackets for the support slat (E). Set the support slat on the wood bracket, as shown in FIGURE 3.
7. On inside surface of both side rails are cavities designed to hold the individual bed slats (D). Set individual slats on both sides of the side rail, as shown in FIGURE 4.
8. Assembly is complete.



### CARE INSTRUCTIONS

1. Dust often using a clean, soft, dry and lint-free cloth.
2. Blot spills immediately and wipe with a clean, damp cloth.
3. We do not recommend the use of chemical cleansers, abrasives, or furniture polish on our lacquered finish.

### IMPORTANT SAFETY INSTRUCTIONS

1. Please read all instructions carefully before assembling.
2. For your safety, assembly by two or more adults is strongly recommended.
3. Keep these instructions for future use.
4. Use only vendor-supplied hardware to assemble. Using unauthorized hardware could jeopardize the structural integrity of the item.