



# RH

## LINEAR LIVE-EDGE RECTANGULAR DINING TABLE INSTRUCTIONS

### PARTS INCLUDED

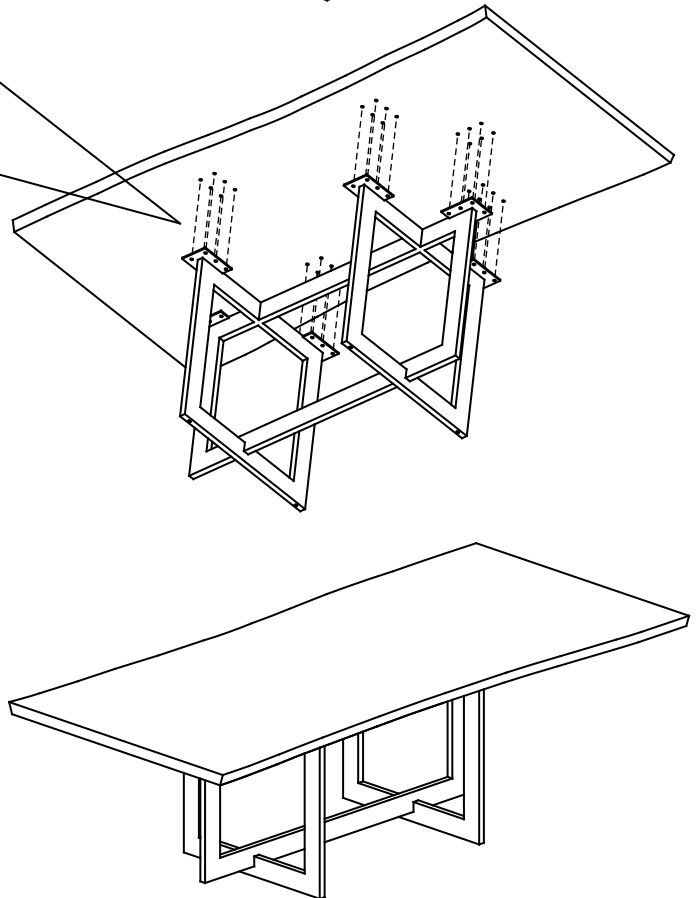
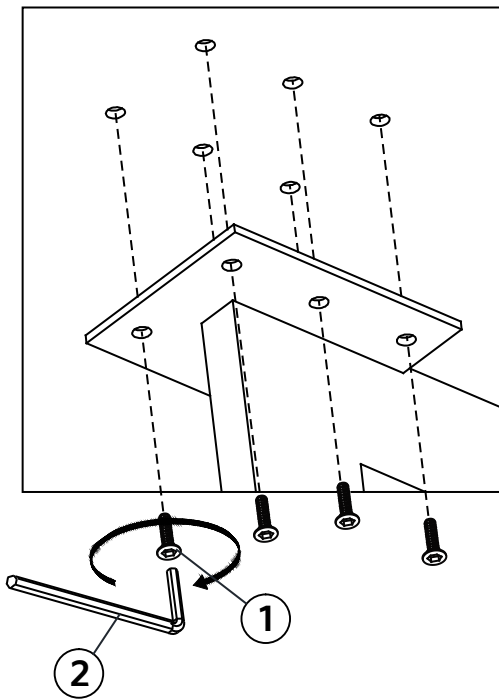
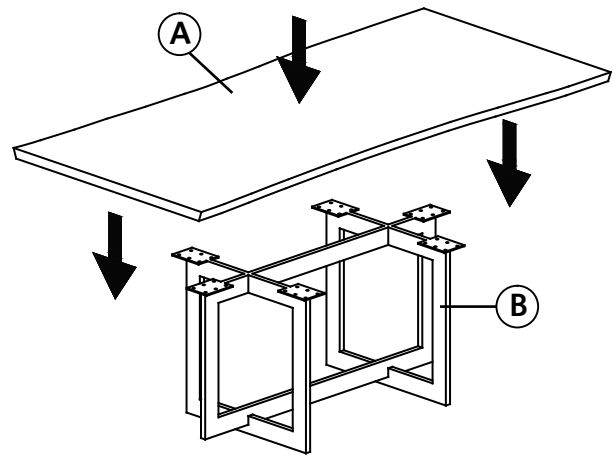
- A [1] TABLETOP
- B [1] TABLE BASE

### HARDWARE INCLUDED

NO.	ITEM	DESCRIPTION	QTY.
1		Bolt 1/4" x 1"	36 pcs.
2		Allen key 4mm	1 pc.

### ASSEMBLY INSTRUCTIONS

1. Attach the tabletop (A) onto the table base (B), aligning the pre-drilled holes on top of the base with the pre-drilled holes on bottom of the tabletop.
2. Insert bolts (1) and tighten with Allen key (2).
3. Adjust levelers as needed.



**NOTE:**  
DON'T move or transport the table once assembled. To move, disassemble table.

# RH

## LINEAR LIVE-EDGE RECTANGULAR DINING TABLE INSTRUCTIONS

---

### CARE INSTRUCTIONS

1. Dust often using a clean, soft, dry lint-free cloth.
2. Blot spills immediately, and wipe with a clean, damp cloth.
3. We do not recommend the use of chemical cleansers, abrasives or furniture polish on our lacquered finish.

### IMPORTANT SAFETY INSTRUCTIONS

1. Professional assembly is strongly recommended.
2. For your safety, it is recommended that two or more adults assemble the table.
3. These instructions are provided for your safety. It is important that they are read carefully and completely before assembly.