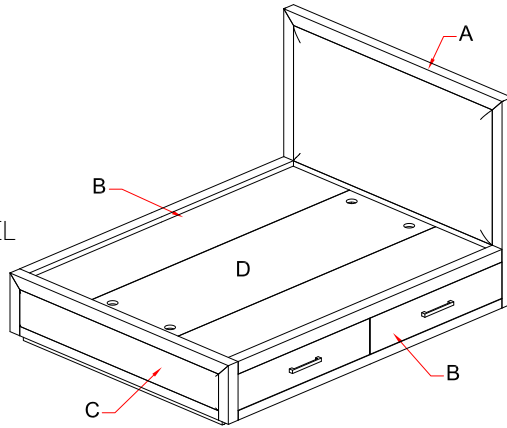


RH

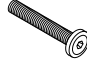



KEMPTON UPHOLSTERED STORAGE QUEEN BED INSTRUCTIONS

PARTS INCLUDED

- A [1] HEADBOARD
- B [2] STORAGE RAILS
- C [1] FOOTBOARD
- D [1] PLATFORM PANEL



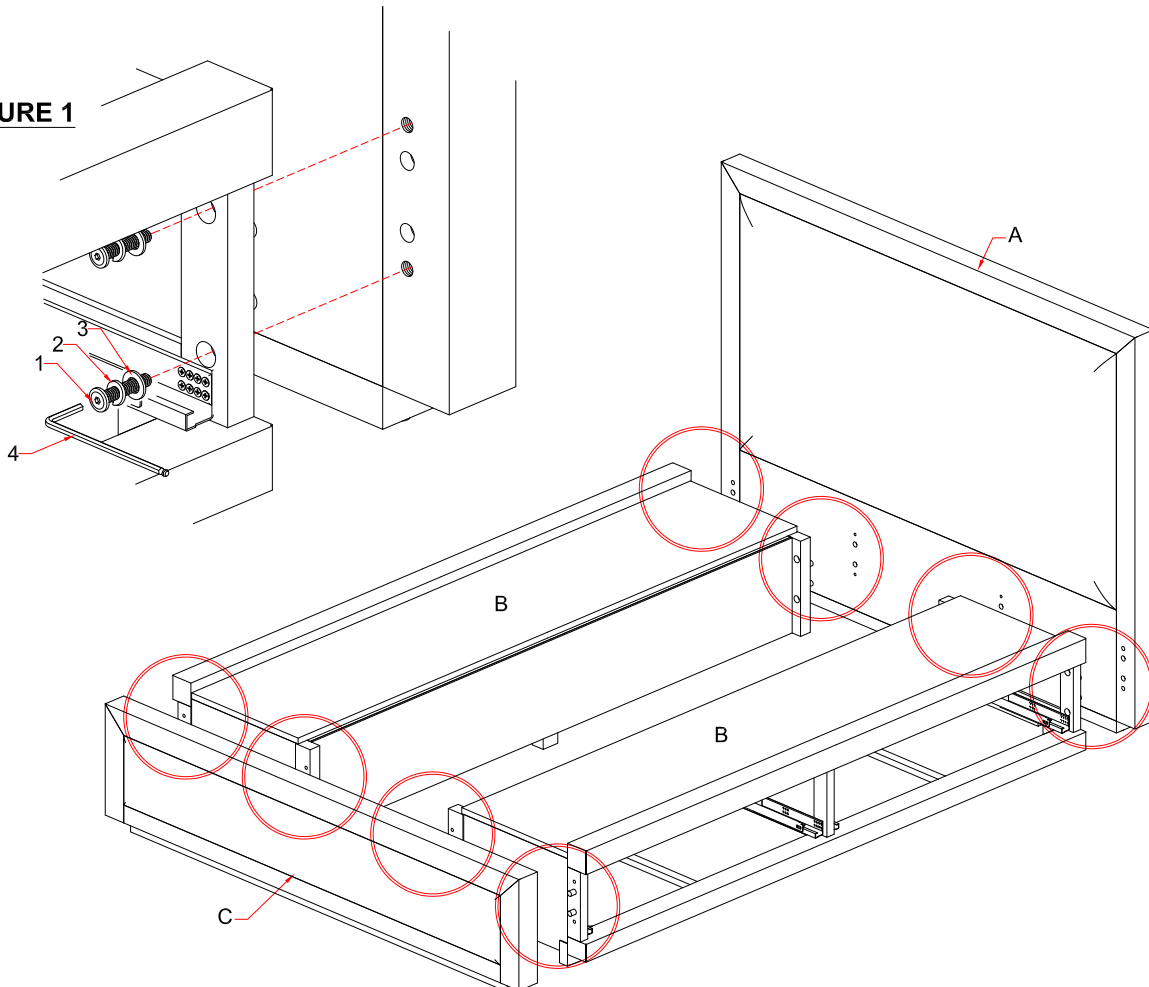
HARDWARE INCLUDED

NO.	ITEM	DESCRIPTION	QTY.
1		Allen Bolt	16 pcs.
2		Lock Washer	16 pcs.
3		Flat Washer	16 pcs.
4		Allen Wrench	1 pc.

ASSEMBLY INSTRUCTIONS

1. Place the Headboard(A) upright in the location you wish the bed to be in when fully assembled. Remove all drawers from the Storage Rail (B).
2. Attach the storage rail to the headboard by using the Allen Bolt (1), Lock Washer (2) and Flat Washer (3) as shown in FIGURE 1.
3. Repeat the above procedure with the other storage rail to attach it to the headboard, and then repeat to connect both storage rails to Footboard (C).

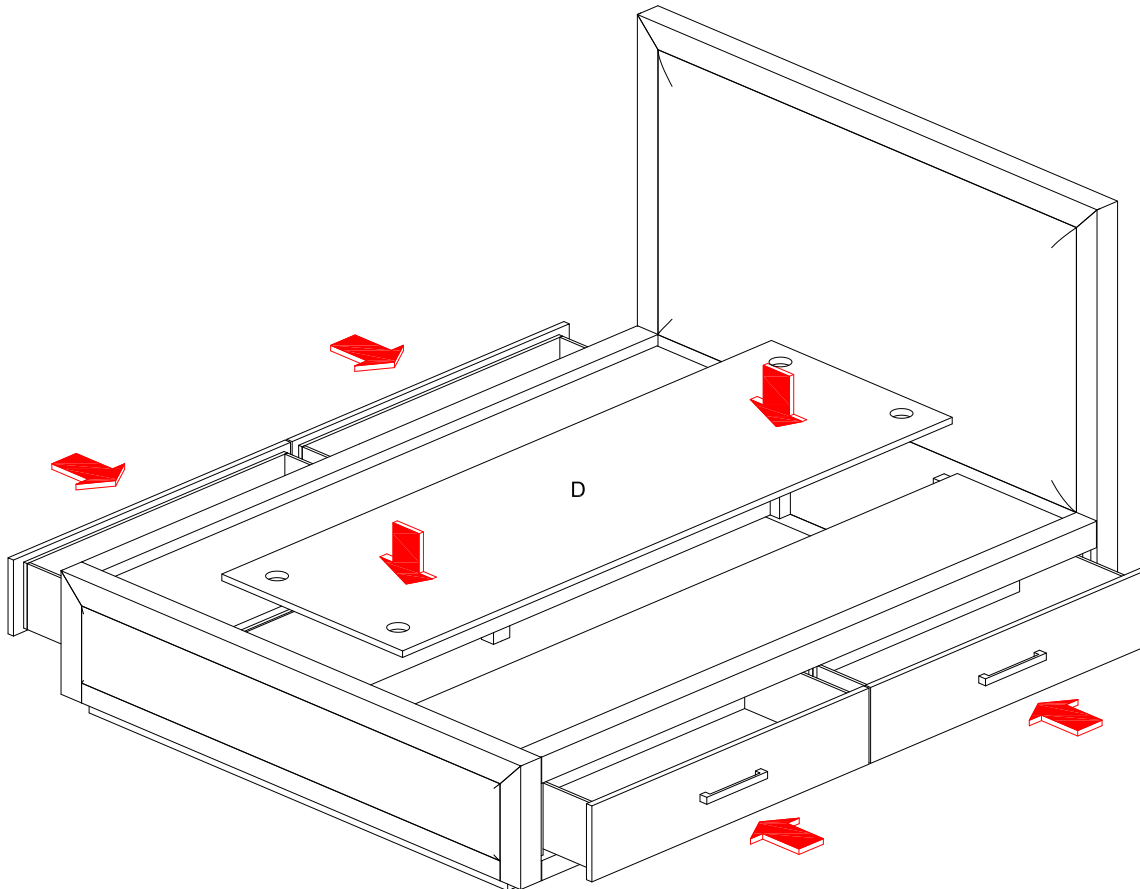
FIGURE 1



RH

KEMPTON UPHOLSTERED STORAGE QUEEN BED INSTRUCTIONS

4. Set the Platform Panels (D) on both of the storage rails.
5. Insert the drawers. Assembly is complete.



CARE INSTRUCTIONS

1. Dust often using a clean, soft, dry and lint-free cloth.
2. Blot spills immediately and wipe with a clean, damp cloth.
3. We do not recommend the use of chemical cleansers, abrasives, or furniture polish on our lacquered finish.

IMPORTANT SAFETY INSTRUCTIONS

1. Please read all instructions carefully before assembling.
2. For your safety, assembly by two or more adults is strongly recommended.
3. Keep these instructions for future use.
4. Use only vendor supplied hardware to assemble. Using unauthorized hardware could jeopardize the structural integrity of the item.