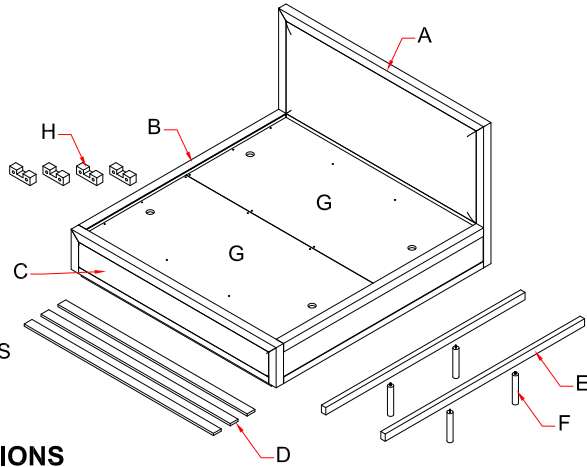


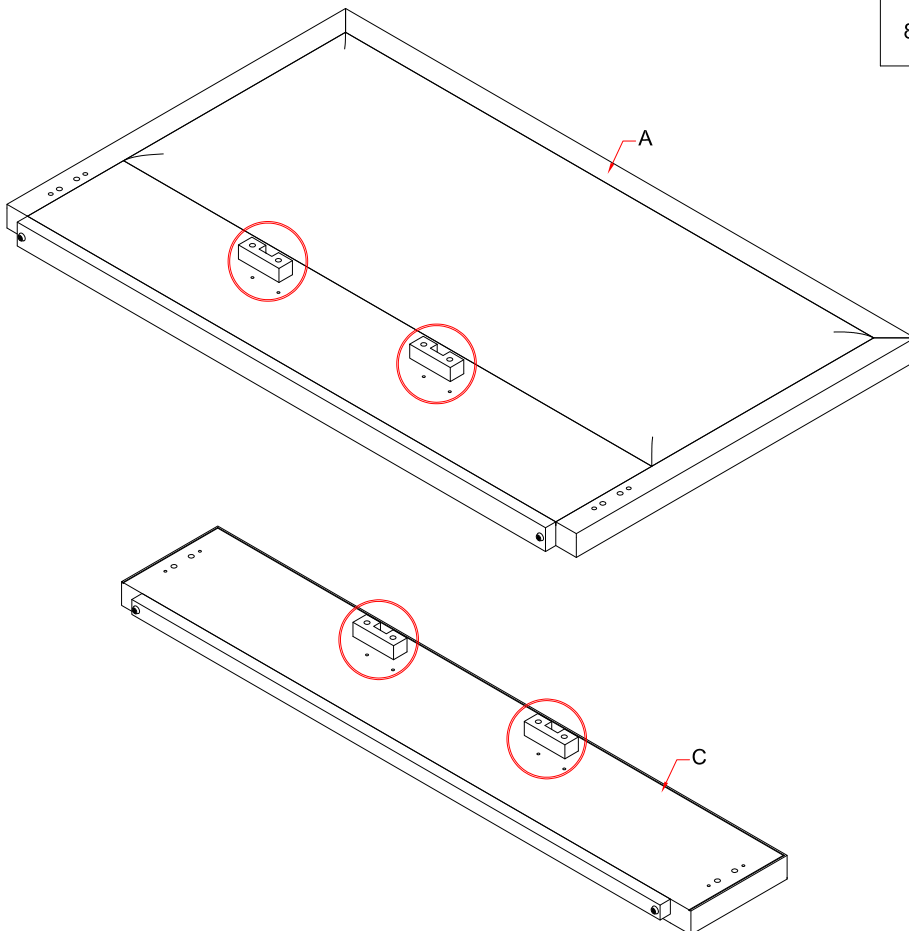
PARTS INCLUDED

- A [1] HEADBOARD
- B [2] SIDE RAILS
- C [1] FOOTBOARD
- D [3] BED SLATS
- E [2] SUPPORT SLATS
- F [4] SUPPORT LEGS
- G [2] PLATFORM PANELS
- H [4] WOOD BRACKETS



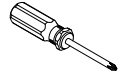
ASSEMBLY INSTRUCTIONS

1. Gently lay the Headboard (A) and footboard (C) on a flat and non-abrasive surface.
2. Attach the Wood brackets (H) to the headboard (A) and footboard (C). Align the wood brackets to the fixed nuts on the Headboard and Footboard. Once the wood brackets is set, insert Allen bolts (1) through the holes on the wood brackets into the fixed nuts on the Headboard and Footboard. DO NOT OVER TIGHTEN. Refer to FIGURE 1.



TOOLS NEEDED

Phillips Screwdriver (Not provided)



HARDWARE INCLUDED

NO.	ITEM	DESCRIPTION	QTY.
1		Allen Bolt M6x40mm	8 pcs.
2		Allen Wrench	1 pc.
3		Threaded Rod	8 pcs.
4		Curved Washer	8 pcs.
5		Lock Washer	8 pcs.
6		Hex Nut	8 pcs.
7		Wrench	1 pc.
8		Round Head Screw M4x25mm	20 pcs.

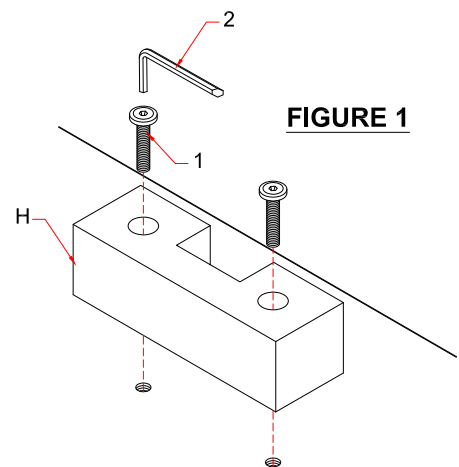
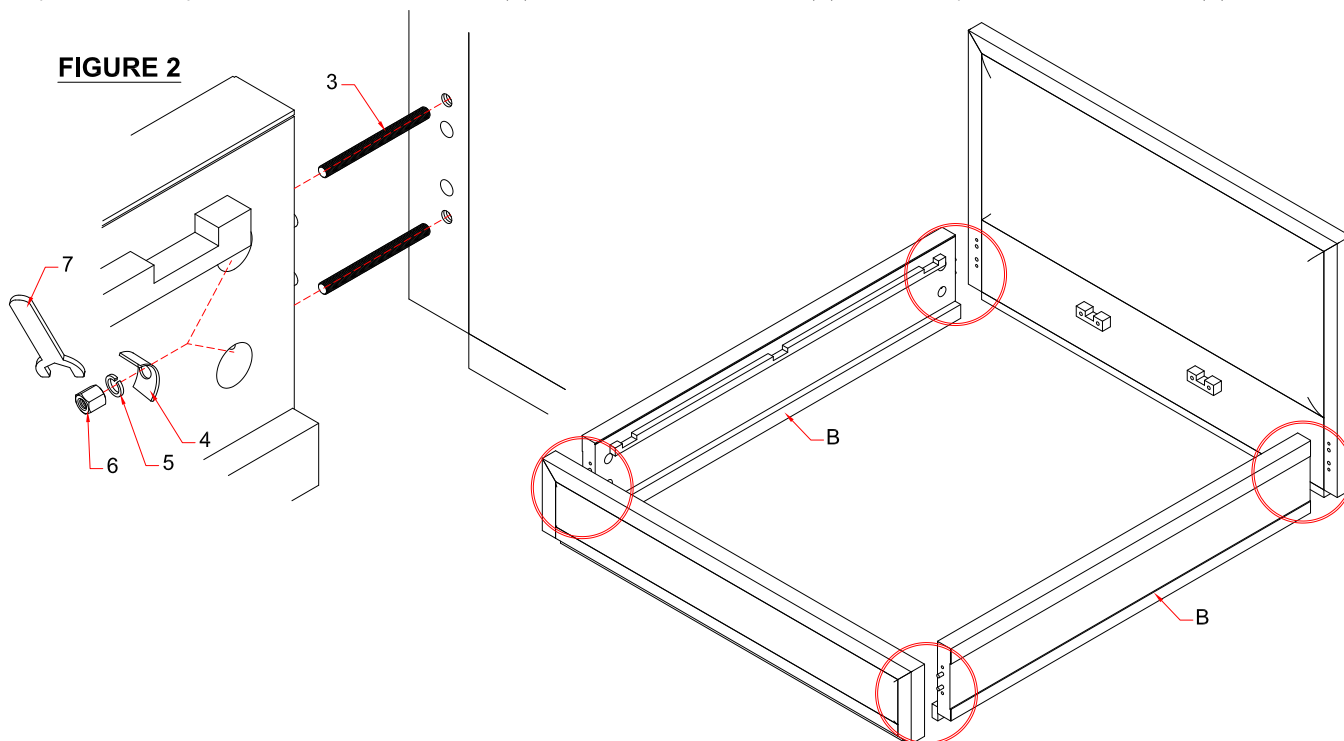


FIGURE 1

KEMPTON UPHOLSTERED PLATFORM KING & CAL KING BED INSTRUCTIONS

- Place the headboard (A) upright in the position you wish the bed to be in when fully assembled. Secure the threaded rod (3) to the fixed nut in the headboard (A) by simply turning it manually. Raise the side rail (B) up and place the rod (3) to align with the bore holes on the end of the side rails (B). Put the side rails (B) up against the headboard (A) so the threaded rods go through the bore holes. Insert curved washer (4) and lock washer (5), place hex nuts (6) on threaded rod (3) and tighten hex nuts (6) with wrench (7). See FIGURE 2.
- Repeat the above procedure with the other side rail (B) to attach it to the headboard (A), and then repeat to connect side rails (B) to the footboard (C).



- Attach the support leg (F) to the slat support (E) by turning it manually. See FIGURE 3.
- There are pre-installed wooden brackets on inside of both headboard (A) and footboard (C) for the slat support rail (E). Set the slat support (E) on the wood brackets as per illustration in FIGURE 4. If necessary, adjust the leveler on bottom of the support leg (F) to make sure the slat support is level. See FIGURE 5.

