

RH

HESTON RECTANGULAR DINING TABLE INSTRUCTIONS

⚠ WARNING

- Use product on carpet or apply optional felt pads to help protect floors.
- Do not pull or push product on the floor.




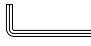

PARTS INCLUDED

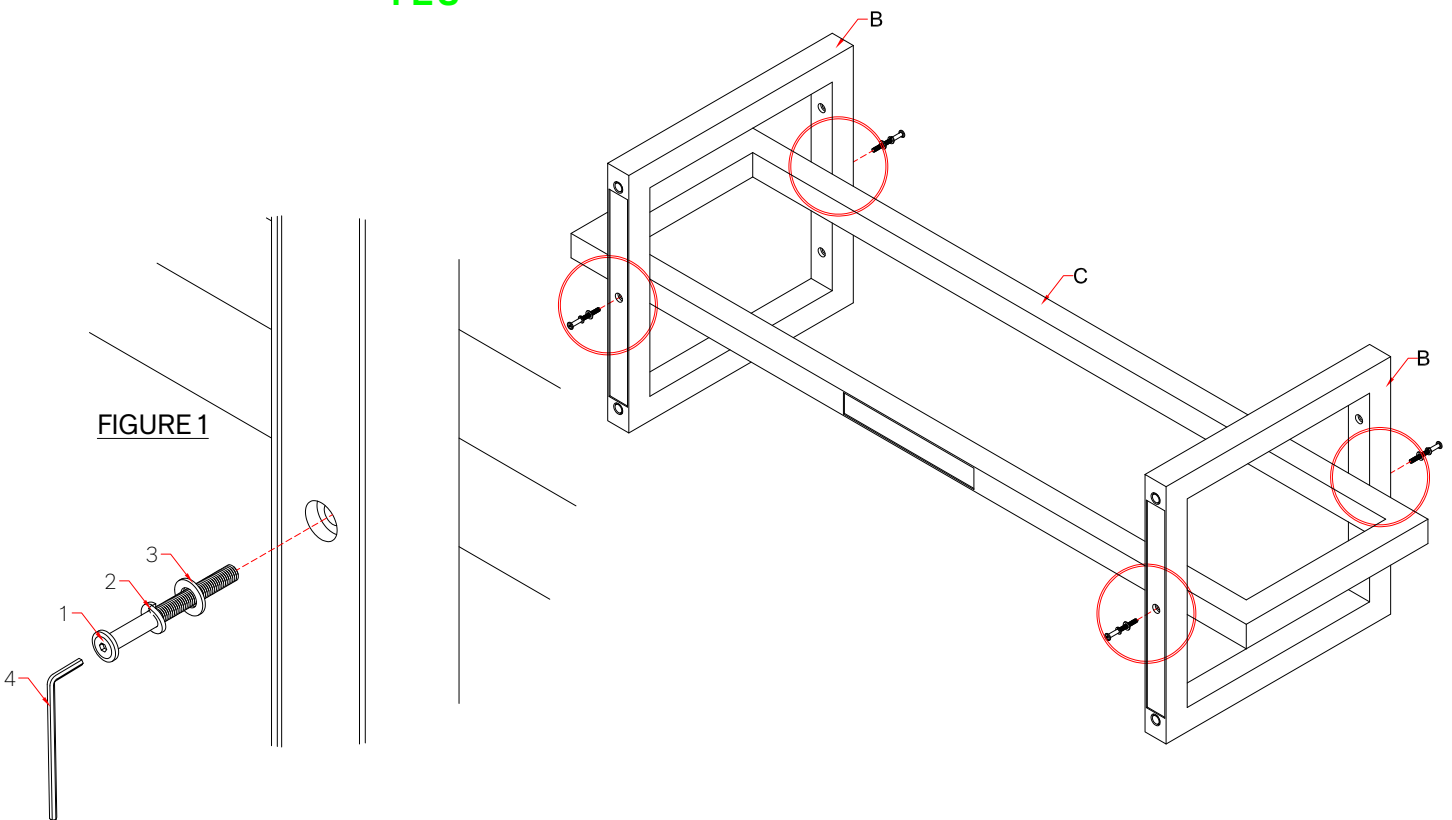
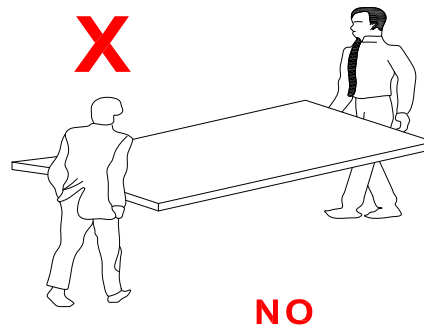
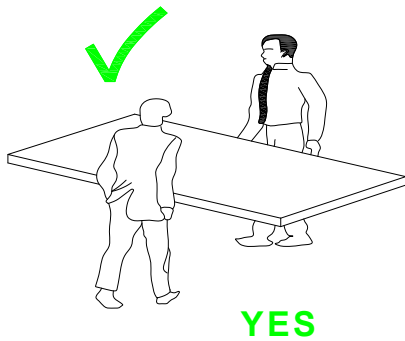
- A [1] TOP
- B [2] BASE
- C [1] STRETCHER

ASSEMBLY INSTRUCTIONS

1. Lay the back of the base (B) down into on a soft flat surface.
2. Align and insert the stretcher (C) to between 2 base. KEEP HOLDING THE STRETCHER WHILE INSERTING THE BASE INTO THE STRETCHER.
3. Attach the base to the stretcher by using Allen bolt (1), lock washer (2) and flat washer (3). DO NOT OVER TIGHTEN. See FIGURE 1.

HARDWARE INCLUDED

NO.	ITEM	DESCRIPTION	QTY.
1		Allen Bolt	8 pcs.
2		Lock Washer	8 pcs.
3		Flat Washer	8 pcs.
4		Allen Wrench	1 pc.
5		Felt Pad	4 pcs.



HESTON RECTANGULAR DINING TABLE INSTRUCTIONS

4. Turn the tabletop (A) upside down and put it on a soft flat surface. Set the assembled base on the tabletop. Align the holes on the table base with the fixed nuts on the tabletop. Insert the Allen bolts (1) together with lock washers (2) and flat washers (3). DO NOT OVER TIGHTEN. See FIGURE 2.
5. Turn the item upright. Check the furniture leveling; if it does not sit level, adjust the leveler on the bottom of the leg, as shown in FIGURE 3.
6. Apply glue on the felt pads (5), then stick them underneath the levelers. See FIGURE 3.
7. Assembly is complete.

FIGURE 2

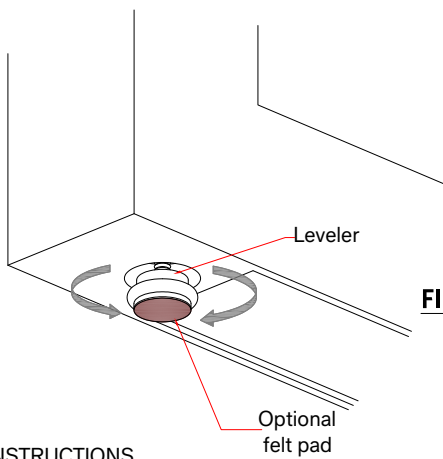
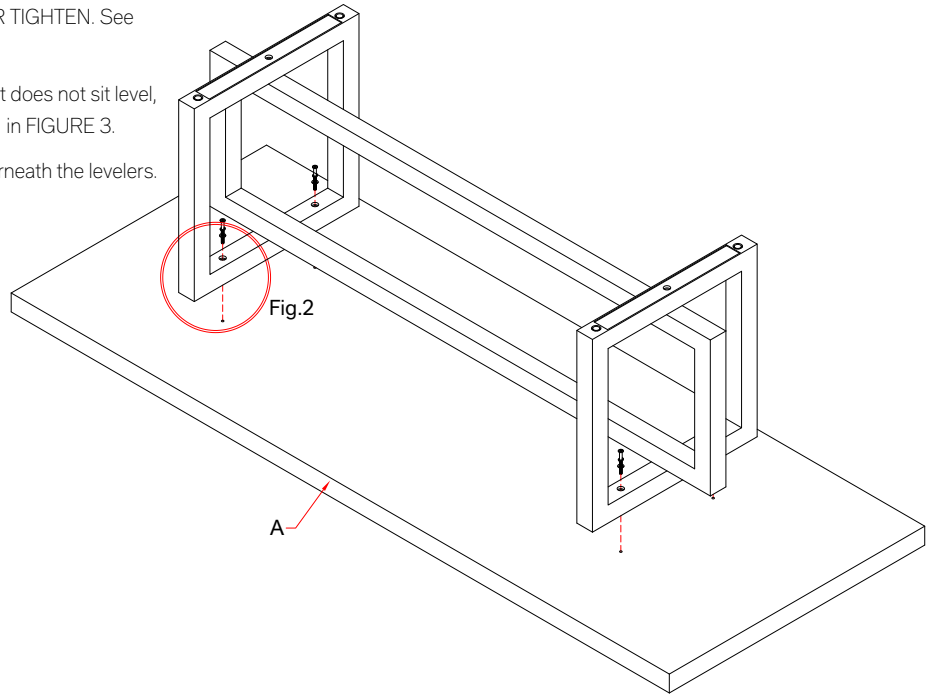
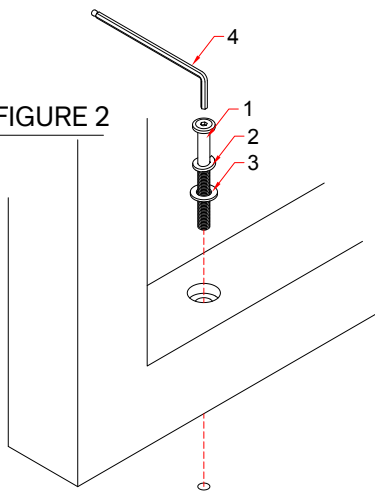
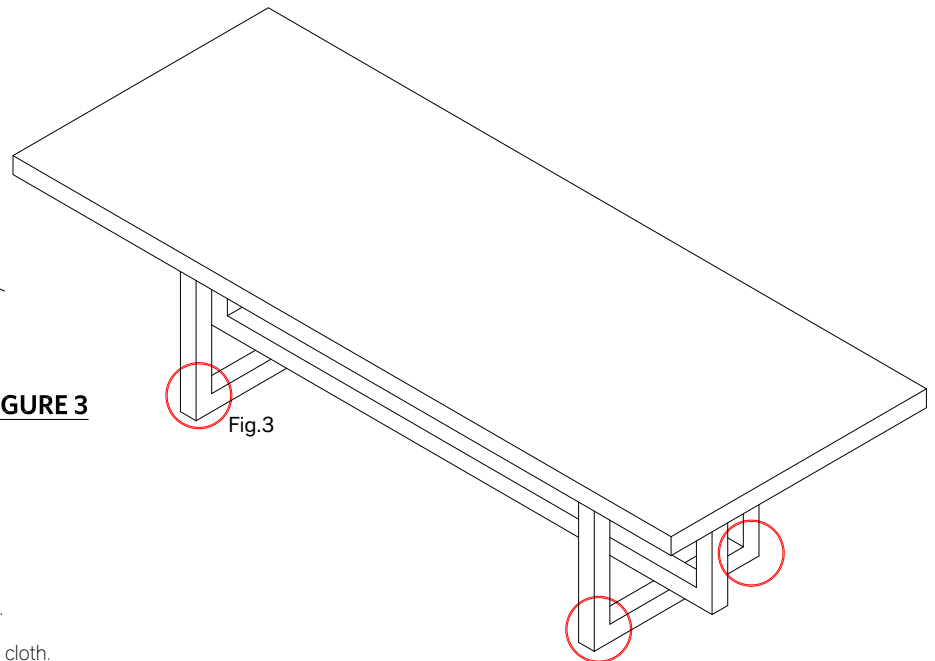


FIGURE 3



CARE INSTRUCTIONS

1. Dust often using a clean, soft, dry and lint-free cloth.
2. Blot spills immediately and wipe with a clean, damp cloth.
3. We do not recommend the use of chemical cleansers, abrasives or furniture polish on our lacquered finish.

IMPORTANT SAFETY INSTRUCTIONS

1. Please read all instructions carefully before assembling.
2. For your safety, assembly by two or more adults is strongly recommended.
3. Keep these instructions for future use.
4. Use only vendor supplied hardware to assemble. Using unauthorized hardware could jeopardize the structural integrity of the item.