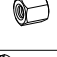
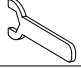


RH

18TH C. SPINDLE TURNED KING & CAL. KING BED INSTRUCTIONS

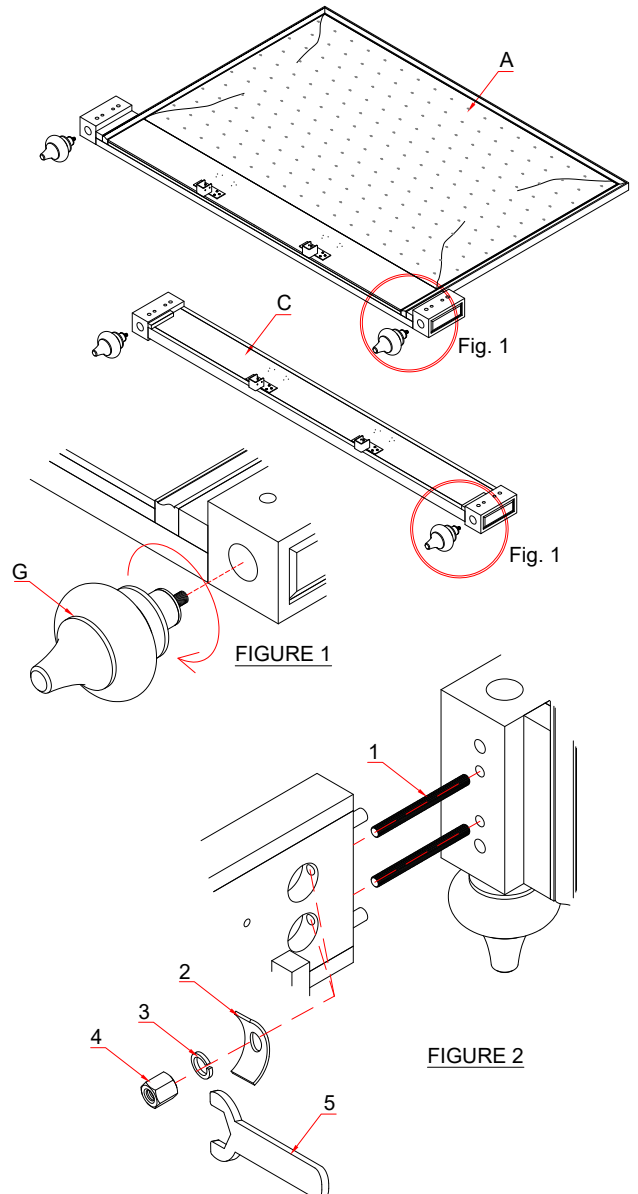
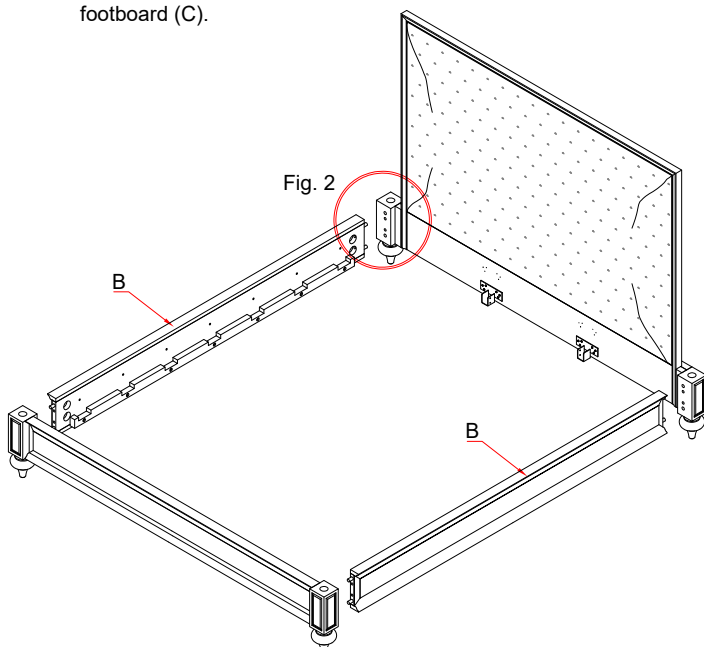
PARTS INCLUDED

A	[1]	HEADBOARD
B	[2]	SIDE RAILS
C	[1]	FOOTBOARD
D	[7]	BED SLATS
E	[2]	SLAT SUPPORTS
F1	[2]	SHORT SUPPORT LEGS
F2	[2]	LONG SUPPORT LEGS
G	[4]	FEET
H	[4]	SHORT POSTS
I	[4]	LONG POSTS
J	[4]	FINIALS

NO.	ITEM	DESCRIPTION	QTY.
1		Threaded Rod	8 pcs.
2		Curved Washer	8 pcs.
3		Lock Washer	8 pcs.
4		Hex Nut	8 pcs.
5		Wrench	1 pc.
6		Allen Wrench	1 pc.

ASSEMBLY INSTRUCTIONS

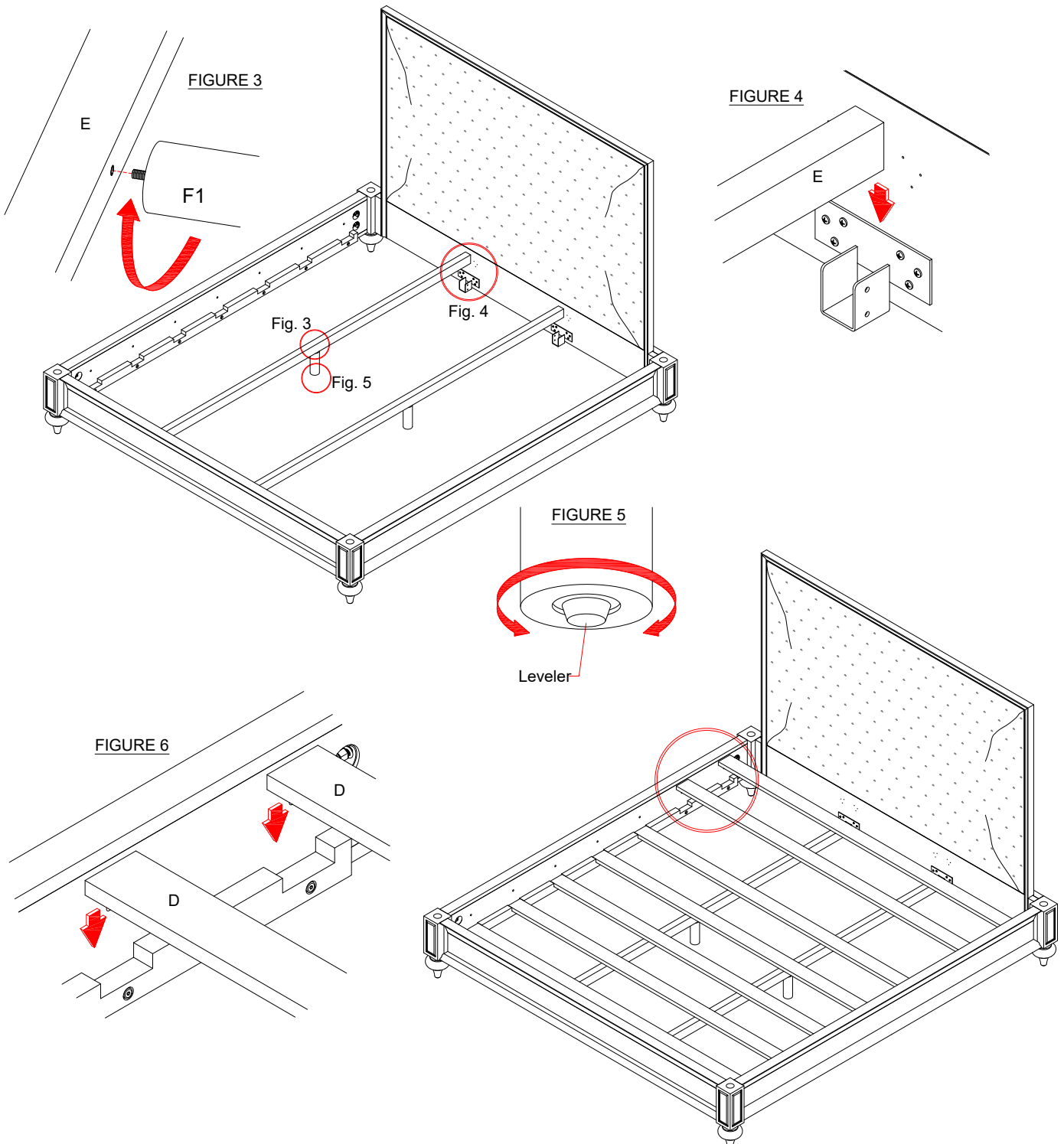
1. Gently lay the headboard (A) and footboard (C) on a flat and non-abrasive surface.
2. Attach the feet (G) to bottom of the headboard (A) and footboard (C). Refer to FIGURE 1.
3. Place the headboard (A) upright in the location you wish the bed to be in when fully assembled. Secure the threaded rod (1) to the fixed nut in the headboard (A) by simply turning it manually. Raise the side rail (B) and place the rod (1) to align with the bore holes on the end of the side rails (B). Put the side rail (B) up against the headboard (A) so the threaded rods go through the bore holes. Insert curved washer (2) and lock washer (3), place hex nuts (4) on threaded rod (1) and tighten hex nuts (4) with wrench (5). See FIGURE 2.
4. Repeat the above procedure with the other side rail (B) to attach it to the headboard (A), and then repeat to connect both side rails (B) to the footboard (C).



RH

18TH C. SPINDLE TURNED KING & CAL. KING BED INSTRUCTIONS

5. Attach the short support leg (F1) to the slat support (E) by turning it manually. See FIGURE 3.
6. There are pre-installed metal brackets on inside of both headboard (A) and footboard (C) for the slat support (E). Set the slat support (E) on the metal brackets as shown in FIGURE 4. Check support rail leveling and adjust the leveler at the bottom of the support leg (F) if necessary. See FIGURE 5.
7. Set the bed slats (D) into the cavities on the slat holder rails of the side rails (B), as shown in FIGURE 6.



RH

18TH C. SPINDLE TURNED KING & CAL. KING BED INSTRUCTIONS

NOTE: Before starting this step, securely remove all slats, support slat and short support leg from the assembled bed.

- For the default setting, the slat support rail will be attached to the lower setting on the side rail. If you want to attach the slat support rail to the higher setting, please unscrew all bolts and move the slat support rail to the top setting on side rail. Re-install the bolts and slat support rail to secure to the side rail. See FIGURE 7.
- For the default setting, the metal bracket will be attached to the lower setting at front of headboard and back of footboard. If you want to attach the metal bracket to the higher setting, please unscrew and move the metal bracket to the top setting on headboard and footboard. Re-install the screws and metal bracket to secure to the headboard and footboard. See FIGURE 8.
- Remove the short support leg (F1) and change it to long support leg (F2). See FIGURE 9.

