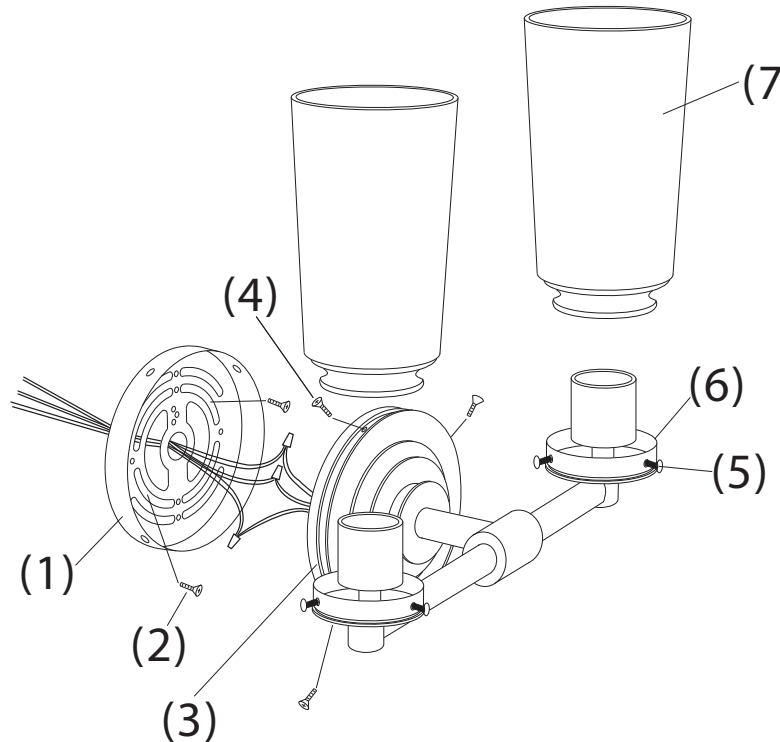


ASBURY DOUBLE SCONCE ASSEMBLY INSTRUCTIONS

RESTORATION
HARDWARE

****IT IS RECOMMENDED THAT A CERTIFIED LICENSED ELECTRICIAN INSTALL THIS FIXTURE****

Warning: If any special control devices are used with this fixture, follow the instructions carefully to assure full compliance with N.E.C. requirements. If there are any questions, contact a qualified electrical contractor.



Assembly Instructions

- 1.- SHUT OFF THE MAIN ELECTRICAL SUPPLY FROM THE MAIN FUSE BOX/CIRCUIT BREAKER.
- 2.- Remove the back plate (1) from the base of the lighting fixture (3) by removing the base screws (4).
- 3.- Gently pull the wiring from the wall outlet box and allow the wires to hang. Thread the wires through the center hole in the back plate.
- 4.- Affix the back plate to the wall outlet box with the back plate screws provided (2).
- 5.- Attach the ground (green) wire from light fixture to the green screw on the back plate (1), same to the ground wire from the wall outlet box (usually green or copper in color). IT IS IMPERATIVE THAT THE OUTLET BOX IN YOUR HOME BE PROPERLY GROUNDED.
- 6.- Connect the 2 neutral (white) fixture wires coming from the lamp fixture base to the neutral (usually white) outlet wire. Fasten all 3 wires together with a plastic wire connector and tightly wrap the wire connector with electrical tape.
- 7.- Repeat this procedure with the hot (black) wires. Always make sure that no wire strands are left outside the connectors. DO NOT REVERSE THE HOT AND NEUTRAL CONNECTIONS OR SAFETY WILL BE COMPROMISED.
- 8.- Attach the lighting fixture base (3) to the affixed back plate by aligning the holes and inserting the base screws (4). Tighten it with screwdriver.
- 9.- Loosen screws on socket cup (6), insert neck of shade (7) into socket cup (6) and tighten with screws (5).
- 10.- Insert light bulbs Type A, maximum 60 Watt into sockets.