

# MYLO MOTION COLLECTION



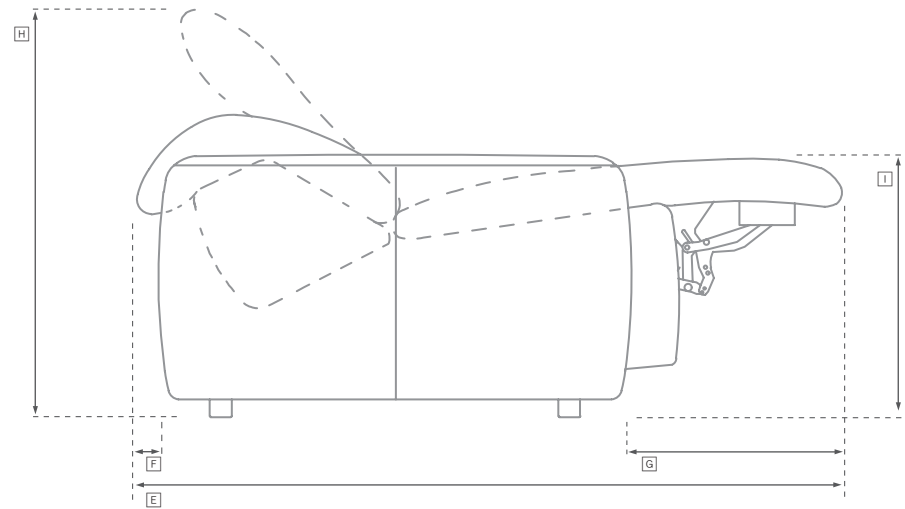
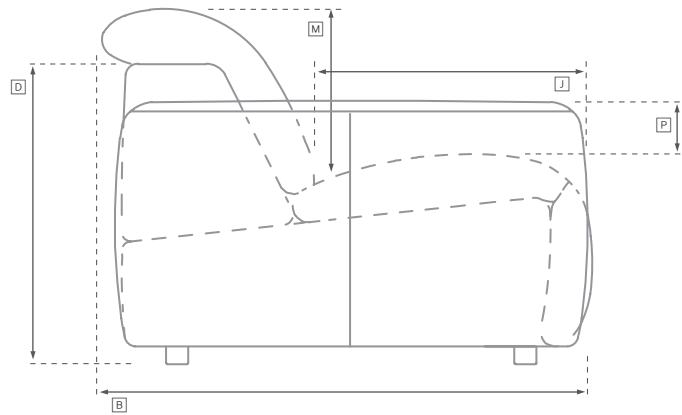
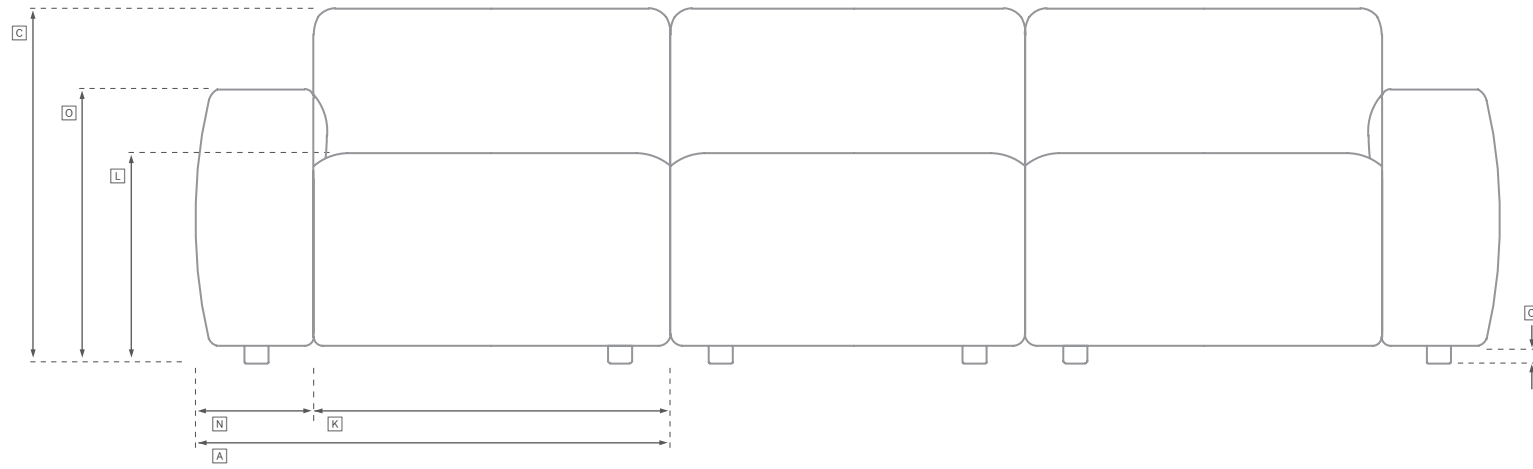
All dimensions are given in inches. See the attached "Dimensions Diagram" sheet for more information on the keys used in this chart.

	OVERALL DIMENSIONS				MOTION					SEAT				ARM			FOOT	CUSHIONS		
	OVERALL WIDTH A	OVERALL DEPTH B	OVERALL HEIGHT C	FRAME HEIGHT D	FULLY RECLINED DEPTH E	RECLINING CLEARANCE NEEDED (BACK OF ARM) F	RECLINING CLEARANCE NEEDED (FRONT OF ARM) G	FULLY RECLINED BACK HEIGHT H	FULLY RAISED FOOTREST HEIGHT I	SEAT DEPTH J	INSIDE SEAT WIDTH K	SEAT HEIGHT L	INSIDE BACK HEIGHT TO TOP OF SEAT M	ARM WIDTH N	ARM HEIGHT O	TOP OF ARM TO TOP OF SEAT P	FOOT HEIGHT Q	NUMBER OF BACK CUSHIONS	NUMBER OF SEAT CUSHIONS	NUMBER OF ACCENT PILLOWS
RECLINER	45	45	31½	26½	67½	4¼	18¼	36½	21¼	25¼	26	19	12½	9½	25¼	7	2	1	1	-
MODULAR LEFT-ARM MOTION CHAIR	49¼	46¼	31½	26½	67½	4¼	18¼	36½	23¼	26½	35¼	19	12½	13½	25¼	7	2	1	1	-
MODULAR RIGHT-ARM MOTION CHAIR	49¼	46¼	31½	26½	67½	4¼	18¼	36½	23¼	26½	35¼	19	12½	13½	25¼	7	2	1	1	-
MODULAR ARMLESS MOTION CHAIR	36½	46¼	31½	26½	67½	4¼	18¼	36½	23¼	26½	36½	19	12½	-	-	7	2	1	1	-
54¼" MODULAR STATIONARY CORNER CHAIR	54¼	54¼	31½	26½	-	-	-	-	-	35¼	51¼	19	12½	-	-	7	2	1	1	-
62½" MODULAR STATIONARY CORNER CHAIR	62½	62½	31½	26½	-	-	-	-	-	43	62¼	19	12½	-	-	7	2	1	1	-

# MYLO MOTION DIMENSIONS DIAGRAM

See the "Dimensions Sheet" for the measurements that correspond with the letters below.

RH

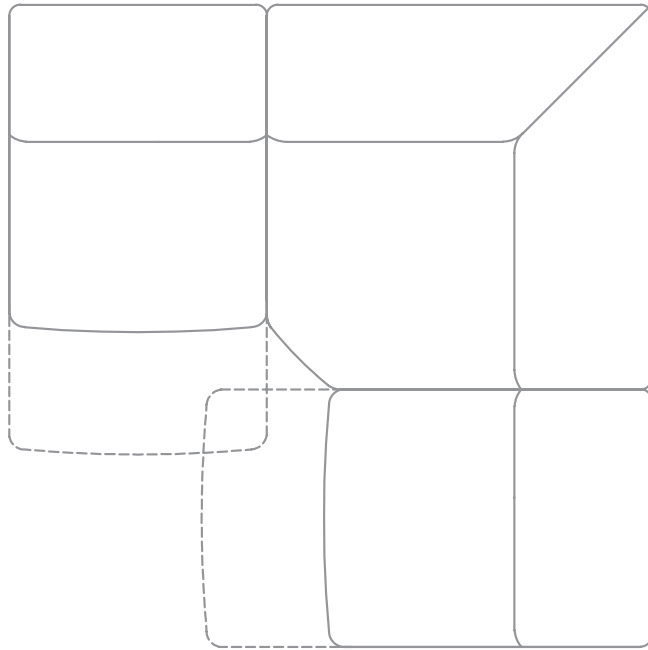


# MYLO MOTION MODULAR L-SECTIONAL CORNER CHAIR CONFIGURATION

See the "Dimensions Sheet" for the measurements that correspond with the letters below.

RH

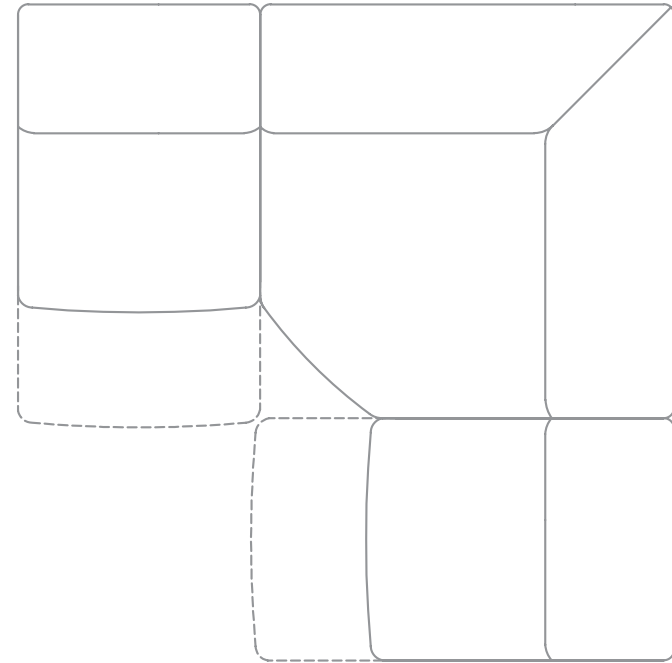
## 54<sup>3</sup>/<sub>4</sub>" CORNER CHAIR



The 54<sup>3</sup>/<sub>4</sub>" Corner Chair allows space for one footrest on adjacent reclining chair to be fully raised.

Footrests on both adjacent reclining chairs can be raised at the same time at lower angles.

## 62<sup>1</sup>/<sub>2</sub>" CORNER CHAIR

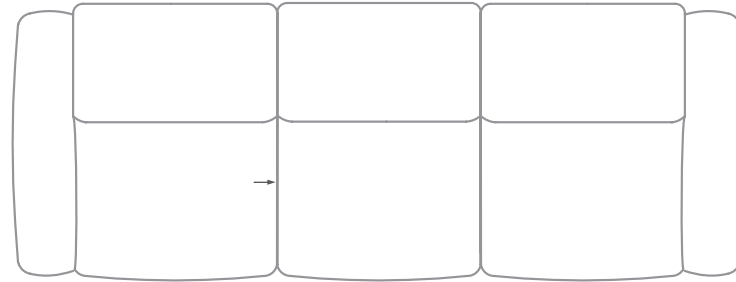


The 62<sup>1</sup>/<sub>2</sub>" Corner Chair allows space for reclining chair on either side to extend fully with both footrests raised.

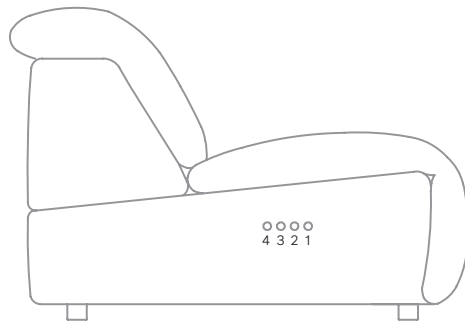
# MYLO MOTION MODULAR ARMLESS RECLINER CHAIR BUTTON PLACEMENT

See the "Dimensions Sheet" for the measurements that correspond with the letters below.

RH

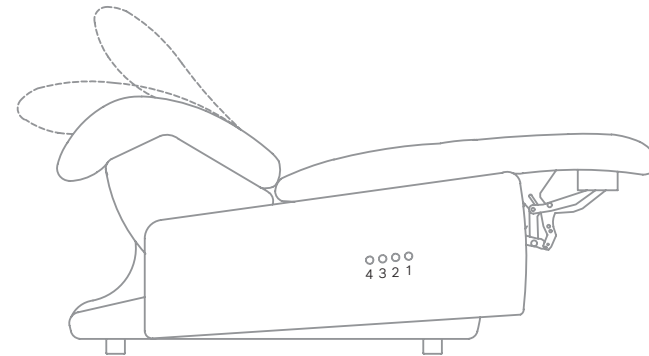


The motion controller buttons on an armless reclining chair will not be visible when placed next to another sectional component.



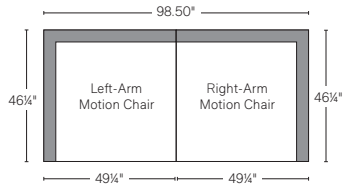
To operate the motion controller, reach down the right-hand side of the armless reclining chair.

Buttons are located in the middle of the seat, 6" below the side seam.

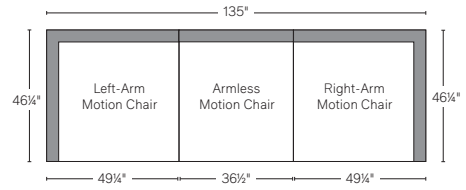


Button 1 reclines backrest and raises footrest.  
Button 2 closes footrest, backrest and headrest.  
Button 3 elevates headrest.  
Button 4 closes headrest.

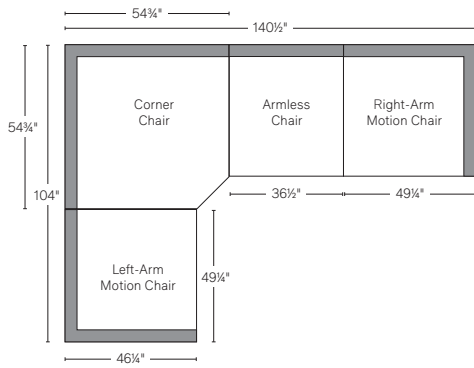
MODULAR 2-PIECE SOFA



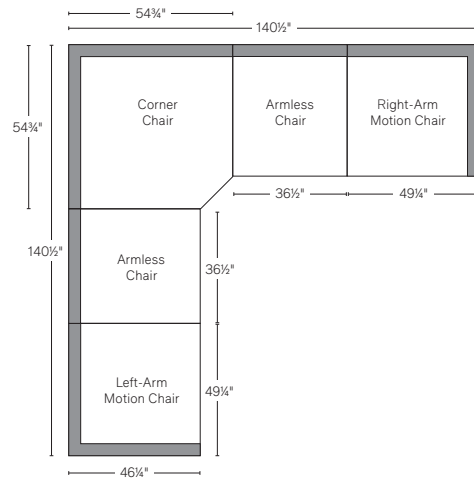
MODULAR 3-PIECE SOFA



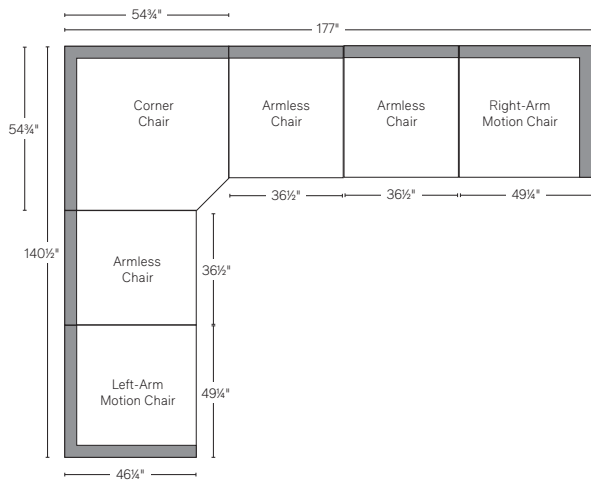
MODULAR 4-PIECE SOFA



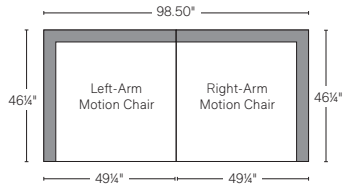
MODULAR 5-PIECE SOFA



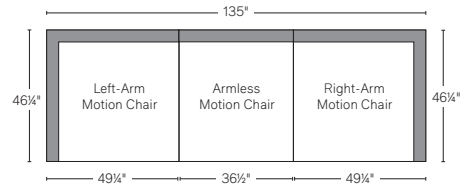
MODULAR 6-PIECE SOFA



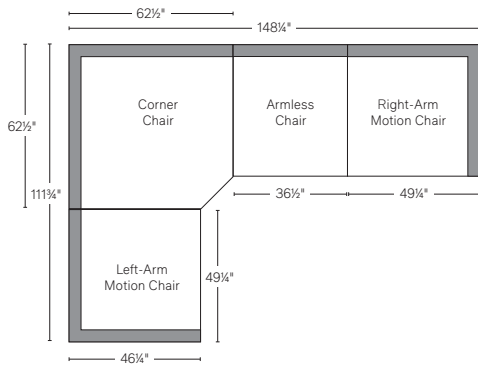
MODULAR 2-PIECE SOFA



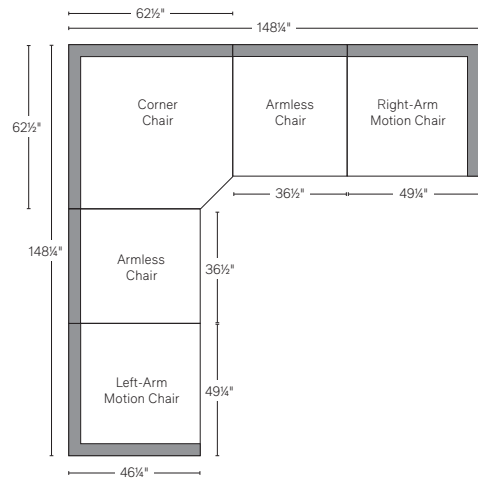
MODULAR 3-PIECE SOFA



MODULAR 4-PIECE SOFA



MODULAR 5-PIECE SOFA



MODULAR 6-PIECE SOFA

