

PALOMA ALUMINUM SEATING COLLECTION



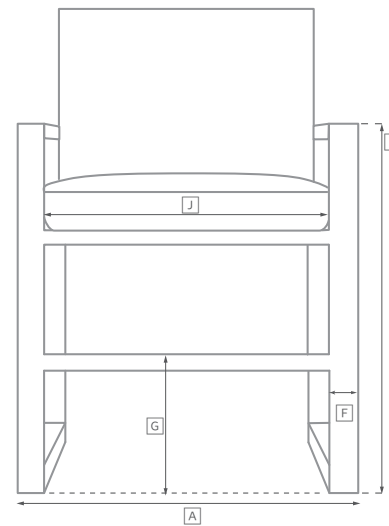
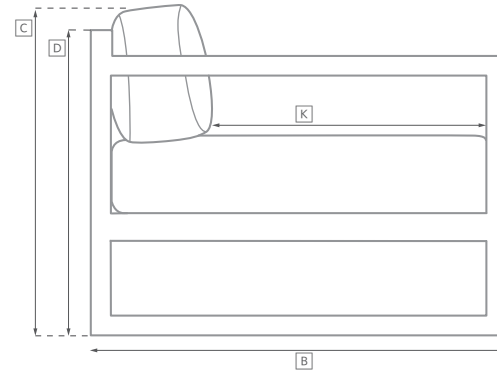
All dimensions are given in inches. See the attached "Dimensions Diagram" sheet for more information on the keys used in this chart.

| | OVERALL WIDTH A | OVERALL DEPTH B | OVERALL HEIGHT W/ CUSHION C | FRAME HEIGHT D | ARM HEIGHT E | ARM WIDTH F | FOOT HEIGHT G | SEAT HEIGHT W/ CUSHION H | SEAT HEIGHT (FLOOR TO FRAME) I | INSIDE SEAT WIDTH J | INSIDE SEAT DEPTH K | # OF BACK CUSHIONS | # OF SEAT CUSHIONS |
|---------------------|--------------------|--------------------|-----------------------------------|-------------------|-----------------|----------------|------------------|-----------------------------|--------------------------------------|------------------------|------------------------|--------------------|--------------------|
| 72" SOFA | 72 | 32¾ | 26 | 24½ | 24½ | 2½ | - | 16½ | 8½ | 67 | 23 | 2 | 1 |
| 90" SOFA | 90 | 32¾ | 26 | 24½ | 24½ | 2½ | - | 16½ | 8½ | 85 | 23 | 3 | 1 |
| 106" SOFA | 106 | 32¾ | 26 | 24½ | 24½ | 2½ | - | 16½ | 8½ | 101 | 23 | 3 | 1 |
| LOUNGE CHAIR | 32½ | 32¾ | 26 | 24½ | 24½ | 2½ | - | 16½ | 8½ | 27½ | 23 | 1 | 1 |
| SWIVEL LOUNGE CHAIR | 32½ | 32¾ | 26 | 24½ | 24½ | 2½ | - | 16½ | 8½ | 27½ | 23 | 1 | 1 |
| CHAISE | 32½ | 78¾ | 35½ | 30½ | - | - | - | 15 | 11 | 28 | 46 | 1 | 1 |
| ARMCHAIR | 23 | 20 | 29¾ | 27 | 27 | 2 | - | 20¾ | 17¾ | 19 | 18 | 1 | 1 |
| MESH ARMCHAIR | 23 | 22 | 32 | 32 | 25½ | 1½ | - | 18 | 18 | 20 | 17 | - | - |

OUTDOOR SEATING DIMENSIONS DIAGRAM

See the "Dimensions Sheet" for the measurements that correspond with the letters below.

RH



OUTDOOR SEATING DIMENSIONS DIAGRAM

See the "Dimensions Sheet" for the measurements that correspond with the letters below.

RH

