

# GEMINI SEATING COLLECTION

All dimensions are given in inches. See the attached "Dimensions Diagram" sheet for more information on the keys used in this chart.



	OVERALL WIDTH A	OVERALL DEPTH B	OVERALL HEIGHT W/ CUSHION C	FRAME HEIGHT D	ARM HEIGHT E	ARM WIDTH F	FOOT HEIGHT G	SEAT HEIGHT W/ CUSHION H	SEAT HEIGHT (FLOOR TO FRAME) I	INSIDE SEAT WIDTH J	INSIDE SEAT DEPTH K	NUMBER OF BACK CUSHIONS	NUMBER OF SEAT CUSHIONS	WEIGHT
72" SOFA	72	43¾	32	26¼	23½	9¼	-	17½	10¼	54	21	2	1	77
84" SOFA	84	43¾	32	26¼	23½	9¼	-	17½	10¼	66	21	2	1	89
96" SOFA	96	43¾	32	26¼	23½	9¼	-	17½	10¼	77¾	21	2	1	104
108" SOFA	108	43¾	32	26¼	23½	9¼	-	17½	10¼	90	21	2	1	117
LOUNGE CHAIR	45	43¾	32	26¼	23½	9¼	-	17½	10¼	27	21	1	1	48
SWIVEL LOUNGE CHAIR	45	43¾	32	26¼	23½	9¼	-	17½	10¼	27	21	1	1	65
OTTOMAN	29½	21¼	17½	10¼	-	-	-	17½	10¼	28½	21¼	0	1	15
CHAISE	80	30½	14¼	10¼	-	-	-	14¼	10¼	48	30½	1	1	57
DINING ARMCHAIR	26¼	23¾	-	29	27½	3½	-	19	17	18	16¾	0	1	20
DINING SIDE CHAIR	20¼	23¾	-	29	-	-	-	19	17	20¼	18	0	1	13
THREE-SEAT LEFT-ARM SECTIONAL SOFA	61¼	43¾	32	26¼	23½	9¼	-	17½	10¼	52½	21	1	1	43
THREE-SEAT RIGHT-ARM SECTIONAL SOFA	61¼	43¾	32	26¼	23½	9¼	-	17½	10¼	52½	21	1	1	43
THREE-SEAT ARMLESS SECTIONAL SOFA	98	43¾	32	26¼	-	-	-	17½	10¼	98	21	2	1	61
FOUR-SEAT LEFT-ARM SECTIONAL RETURN SOFA	123	43¾	32	26¼	23½	9¼	-	17½	10¼	102¼	21	3	1	79

# GEMINI SEATING COLLECTION

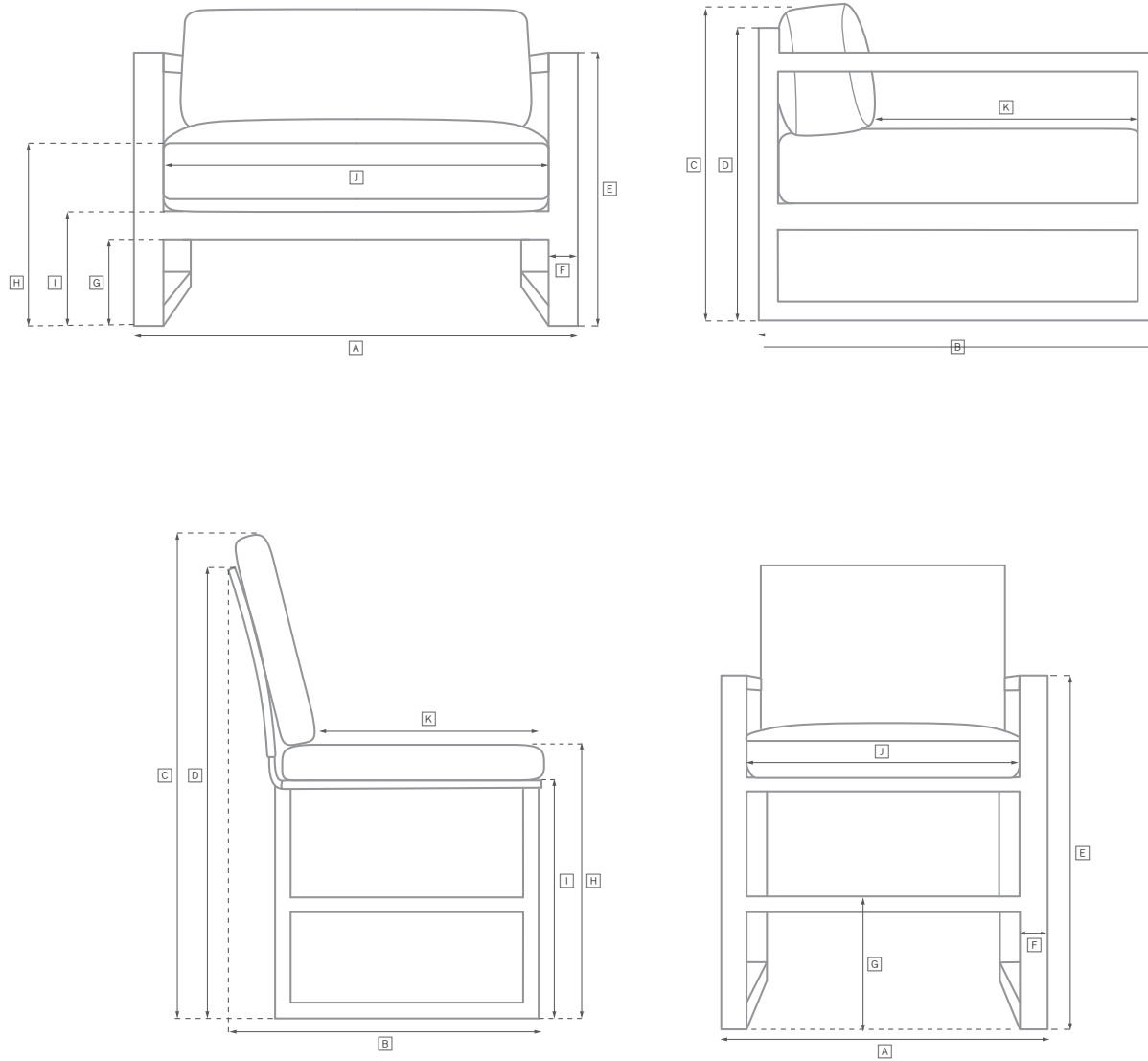


All dimensions are given in inches. See the attached "Dimensions Diagram" sheet for more information on the keys used in this chart.

	OVERALL WIDTH A	OVERALL DEPTH B	OVERALL HEIGHT W/ CUSHION C	FRAME HEIGHT D	ARM HEIGHT E	ARM WIDTH F	FOOT HEIGHT G	SEAT HEIGHT W/ CUSHION H	SEAT HEIGHT (FLOOR TO FRAME) I	INSIDE SEAT WIDTH J	INSIDE SEAT DEPTH K	NUMBER OF BACK CUSHIONS	NUMBER OF SEAT CUSHIONS	WEIGHT
FOUR-SEAT RIGHT-ARM SECTIONAL RETURN SOFA	123	43¾	32	26¼	23½	9¼	-	17½	10¼	102¼	21	3	1	79
LEFT-ARM SECTIONAL CHAISE	38	71	32	26¼	23½	9¼	-	17½	10¼	26½	59	1	1	40
RIGHT-ARM SECTIONAL CHAISE	38	71	32	26¼	23½	9¼	-	17½	10¼	26½	59	1	1	40

# OUTDOOR SEATING DIMENSIONS DIAGRAM

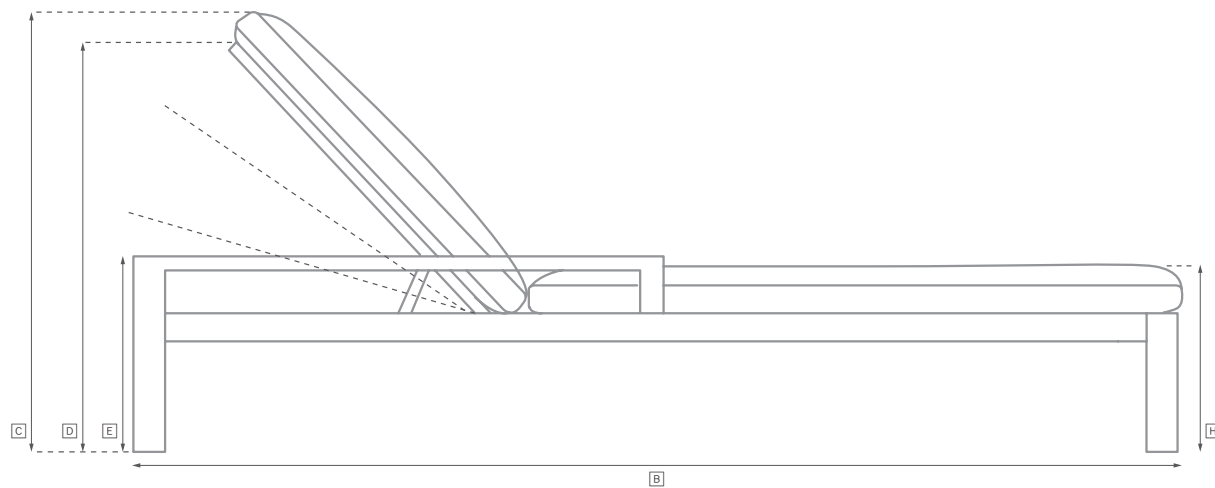
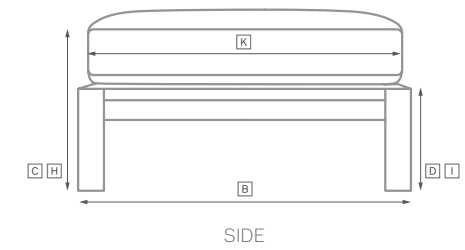
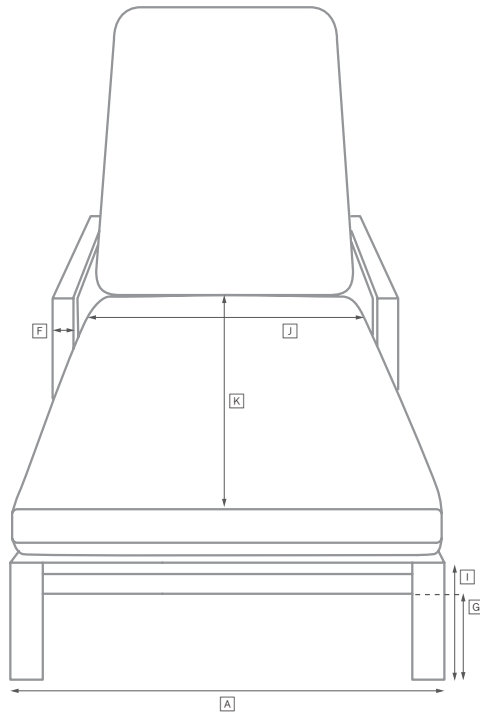
See the "Dimensions Sheet" for the measurements that correspond with the letters below.



# OUTDOOR SEATING DIMENSIONS DIAGRAM

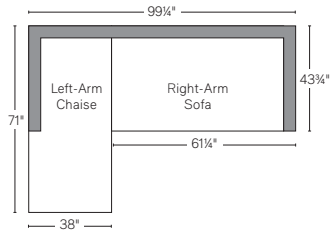
See the "Dimensions Sheet" for the measurements that correspond with the letters below.

RH

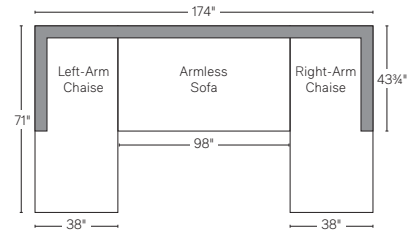


SOFA CHAISE SECTIONAL

Available in left and right-arm configurations.

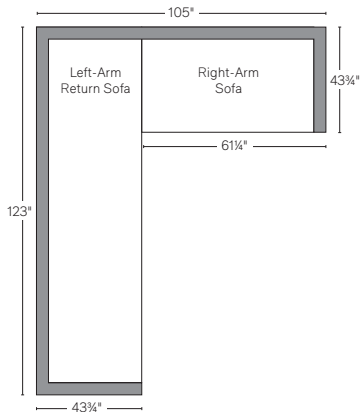


U-CHAISE SECTIONAL



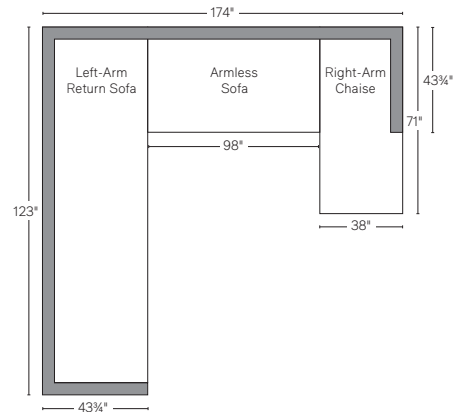
L-SECTIONAL

Available in left and right-arm configurations.

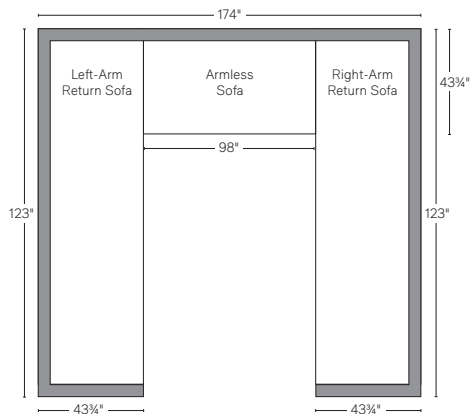


U-SOFA CHAISE SECTIONAL

Available in left and right-arm configurations.



U-SOFA SECTIONAL



Multiple length options available.