

BRONTE ALUMINUM SEATING COLLECTION



All dimensions are given in inches. See the attached "Dimensions Diagram" sheet for more information on the keys used in this chart.

	OVERALL WIDTH A	OVERALL DEPTH B	OVERALL HEIGHT W/ CUSHION C	FRAME HEIGHT D	ARM HEIGHT E	ARM WIDTH F	FOOT HEIGHT G	SEAT HEIGHT W/ CUSHION H	SEAT HEIGHT (FLOOR TO FRAME) I	INSIDE SEAT WIDTH J	INSIDE SEAT DEPTH K	NUMBER OF BACK CUSHIONS	NUMBER OF SEAT CUSHIONS	WEIGHT
72" SOFA	72	33½	29¾	24¼	24¼	1½	-	16	2¾	69¼	24	2	1	61
84" SOFA	84	33½	29¾	24¼	24¼	1½	-	16	2¾	81¼	24	2	1	69
96" SOFA	96	33½	29¾	24¼	24¼	1½	-	16	2¾	93¼	24	3	1	75
108" SOFA	108	33½	29¾	24¼	24¼	1½	-	16	2¾	105¼	24	3	1	82
LOUNGE CHAIR	31½	33½	29¾	24¼	24¼	1½	-	16	2¾	27½	21¼	1	1	30
SWIVEL LOUNGE CHAIR	31½	33½	29¾	24¼	24¼	1½	-	16	3½	28¾	21¼	1	1	46
OTTOMAN	28¾	25½	16	2¾	-	-	-	16	2¾	28¾	25½	0	1	12
CHAISE	80	31½	14¼	10¾	-	-	-	14¼	10¾	49½	31½	1	1	56
DINING SIDE CHAIR	18	23	32½	27½	-	-	-	19½	13¾	18	16	1	1	18
DINING ARMCHAIR	23¾	23	32½	27½	27½	1¼	-	19½	13¾	20½	16	1	1	22
TWO-SEAT LEFT-ARM SECTIONAL SOFA	70½	33½	29¾	24¼	24¼	1½	-	16	2¾	69	24	2	1	90
TWO-SEAT RIGHT-ARM SECTIONAL SOFA	70½	33½	29¾	24¼	24¼	1½	-	16	2¾	69	24	2	1	90
THREE-SEAT LEFT-ARM SECTIONAL SOFA	102	33½	29¾	24¼	24¼	1½	-	16	2¾	100½	24	2	1	-
THREE-SEAT RIGHT-ARM SECTIONAL SOFA	102	33½	29¾	24¼	24¼	1½	-	16	2¾	100½	24	2	1	-
THREE-SEAT ARMLESS SECTIONAL SOFA	96	33½	29¾	24¼	-	-	-	16	2¾	96	24	2	1	99

BRONTE ALUMINUM SEATING COLLECTION



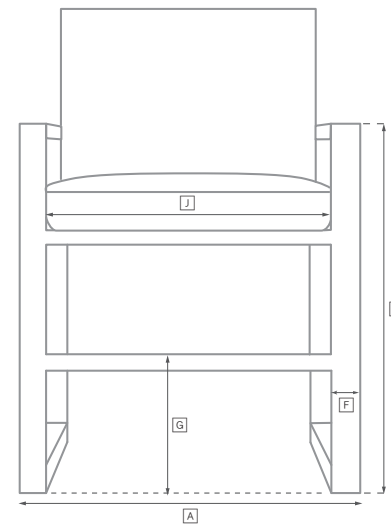
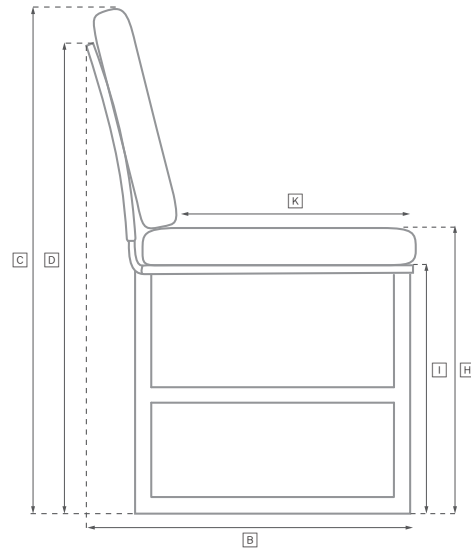
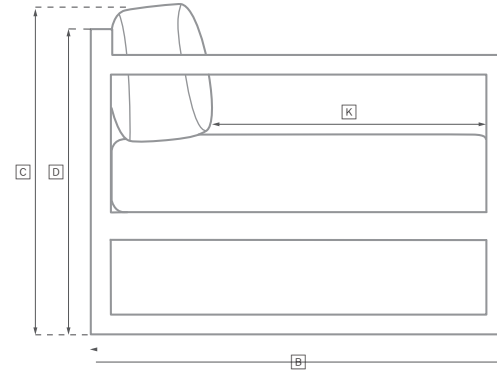
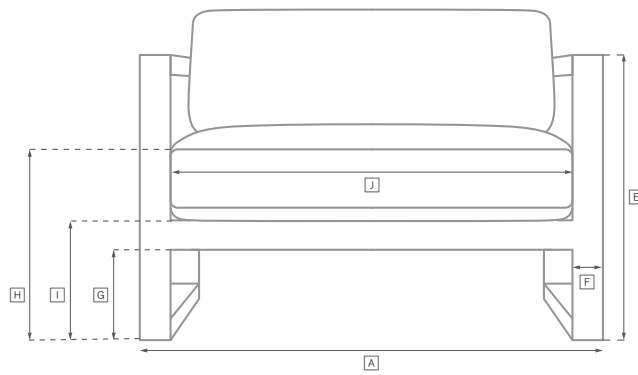
All dimensions are given in inches. See the attached "Dimensions Diagram" sheet for more information on the keys used in this chart.

	OVERALL WIDTH A	OVERALL DEPTH B	OVERALL HEIGHT W/ CUSHION C	FRAME HEIGHT D	ARM HEIGHT E	ARM WIDTH F	FOOT HEIGHT G	SEAT HEIGHT W/ CUSHION H	SEAT HEIGHT (FLOOR TO FRAME) I	INSIDE SEAT WIDTH J	INSIDE SEAT DEPTH K	NUMBER OF BACK CUSHIONS	NUMBER OF SEAT CUSHIONS	WEIGHT
LEFT-ARM SECTIONAL CHAISE	33½	67	29¾	24¼	24¼	1½	-	16	2¾	65½	24	1	1	81
RIGHT-ARM SECTIONAL CHAISE	33½	67	29¾	24¼	24¼	1½	-	16	2¾	65½	24	1	1	81
SECTIONAL CORNER CHAIR	33½	33½	29¾	24¼	24¼	1½	-	16	2¾	24	24	2	1	35

OUTDOOR SEATING DIMENSIONS DIAGRAM

See the "Dimensions Sheet" for the measurements that correspond with the letters below.

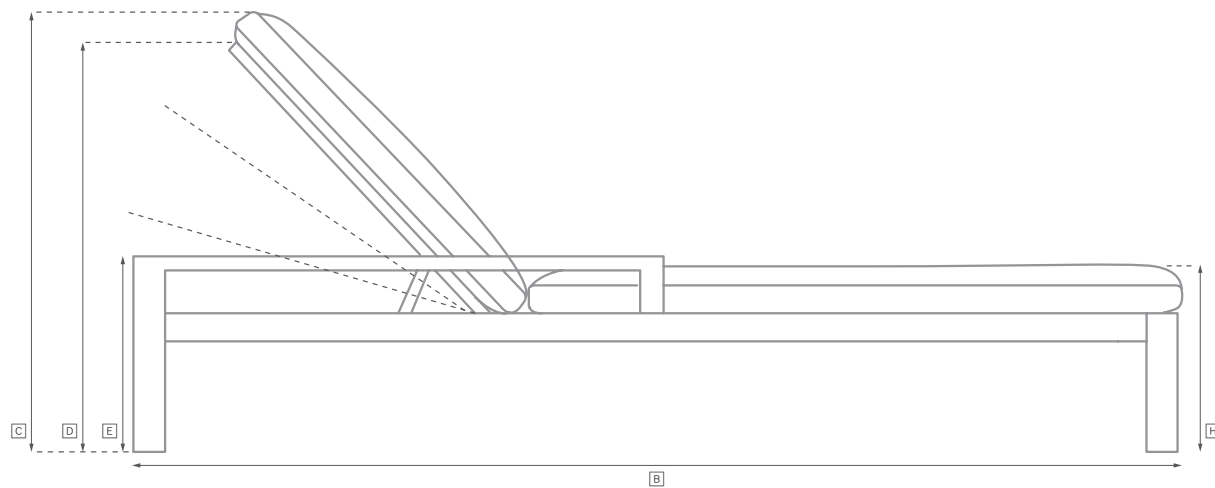
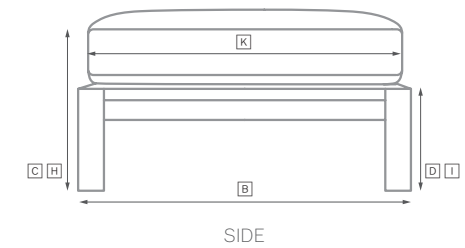
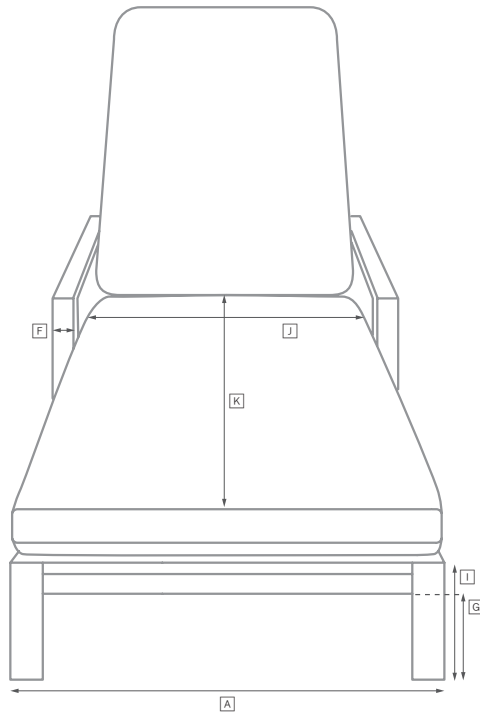
RH



OUTDOOR SEATING DIMENSIONS DIAGRAM

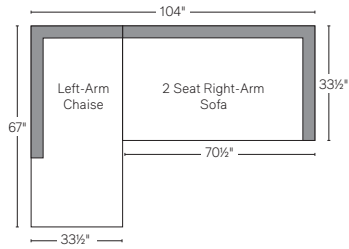
See the "Dimensions Sheet" for the measurements that correspond with the letters below.

RH

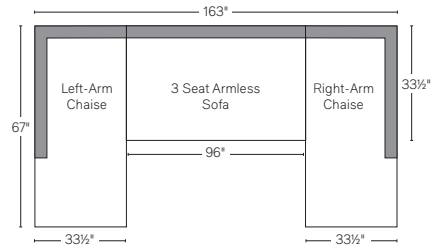


SOFA CHAISE SECTIONAL

Available in left and right-arm configurations.

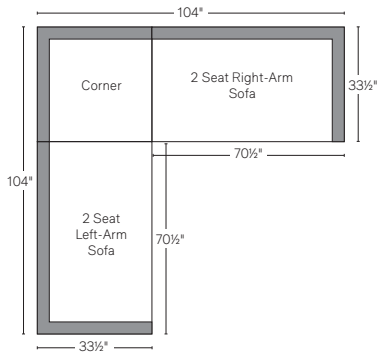


U-CHAISE SECTIONAL

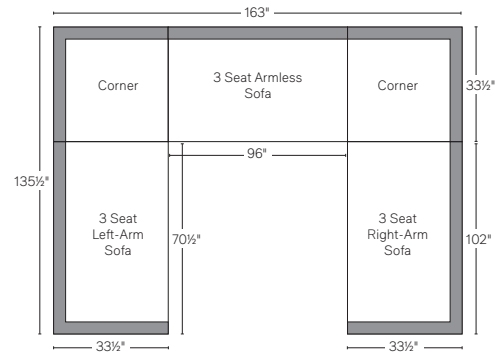


L-SECTIONAL

Available in left and right-arm configurations.



U-SOFA SECTIONAL



U-SOFA CHAISE SECTIONAL

Available in left and right-arm configurations.

