

RH

LUCE MIRROR

30" x 40" (76cm x 102cm)

ASSEMBLY & INSTALLATION INSTRUCTIONS

ENGLISH

LUCE MIRROR

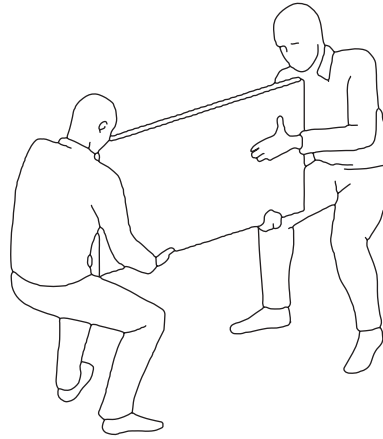
STORAGE

1. Do not stack anything on top of the mirror
2. Keep the mirror packaged until installation.
3. Store mirror upright on the long edge.

MIRROR HANDLING INSTRUCTIONS

CAUTION :

1. Remove vertically from package.
2. Always carry mirror vertically as illustrated. Carrying flat will cause breakage.



BEFORE YOU BEGIN

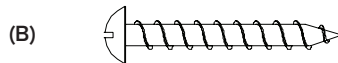
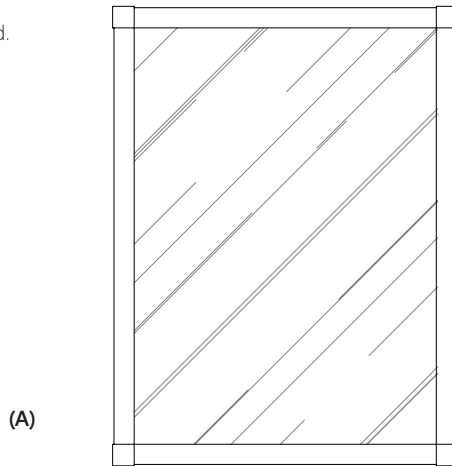
1. Professional installation recommended.
2. These instructions are provided for your safety. It is important that they are read carefully and completely before installation of the fixture.
3. For your safety, it is recommended that two people hang the fixture.
4. Check with a professional to ensure your wall can tolerate a fixture weighing 40 lbs (19 kg).
5. When wall mounting, stud mounting is strongly recommended.

PARTS INCLUDED

- (A) Mirror With Bracket (1)
- (B) Screw - M4 x 30 mm (5)
- (C) EZ Mini Anchor 14 x 44 mm (5)
- (D) Aluminum Hanger 18" (46 cm) (1)

TOOLS NEEDED

- (A) Carpenter's level
- (B) Phillips head screwdriver



INSTALLATION OF MIRROR

1. Unpack all parts and place them on a protected work surface.
2. Determine the exact location of the fixture and mark the holes on the wall surface using the holes in the aluminum hanger (D) as a guide.
3. Drill small holes on each point location on the wall. Each hole should be just large enough to accommodate EZ mini anchor (C).
4. Insert the EZ mini anchors (C) into the holes on the wall.
5. Mount the aluminum hanger (D) into the wall using screws (B).
6. Check that the aluminum hanger fixture is securely screwed into the wall.
7. Place the mirror with hanger cleat (A) into the aluminum hanger fixture.
8. Installation is complete.

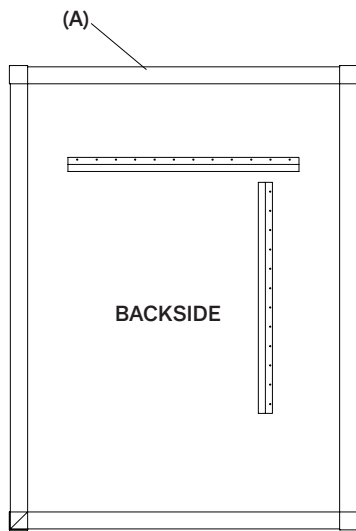


FIGURE 1

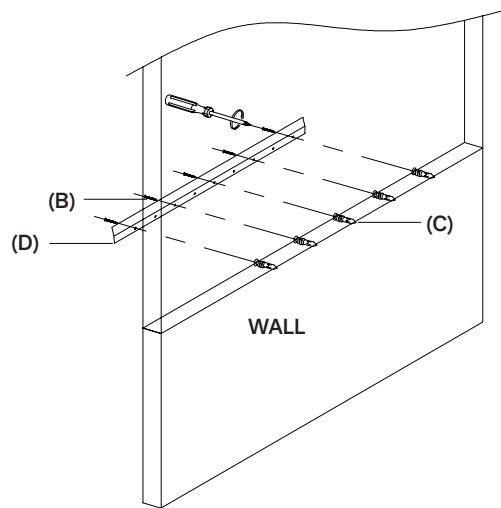


FIGURE 2

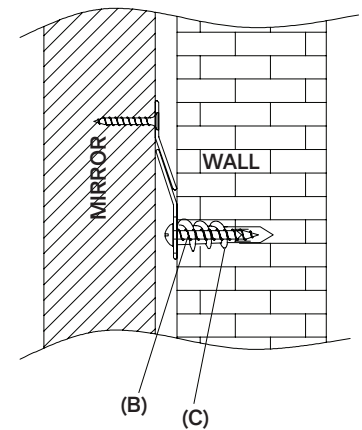


FIGURE 3

****NOTE: MAKE SURE THAT THE TWO (2) CLEATS (1 ON MIRROR AND 1 ON WALL) ARE LOCKED AND SECURED WITH EACH OTHER. A LEVEL CHECK IS HIGHLY RECOMMENDED. CHECK AND ADJUST IF NEEDED.**

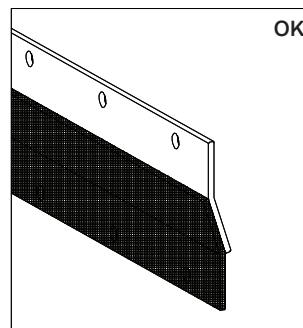


FIGURE 4

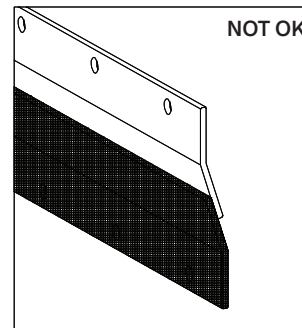


FIGURE 5

CLEANING INSTRUCTIONS

1. To clean, use a soft dry or damp cloth.
2. Do not use abrasive cleaners.

RH

LUCE MIRROR

26" x 48" (66cm x 122cm)

ASSEMBLY & INSTALLATION INSTRUCTIONS

ENGLISH

LUCE MIRROR

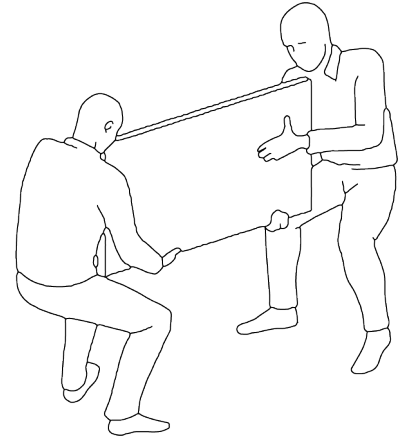
STORAGE

1. Do not stack anything on top of the mirror.
2. Keep the mirror packaged until installation.
3. Store mirror upright on the long edge.

MIRROR HANDLING INSTRUCTIONS

CAUTION:

1. Remove vertically from package.
2. Always carry mirror vertically as illustrated
Carrying flat will cause breakage.

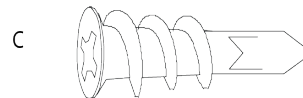
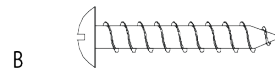
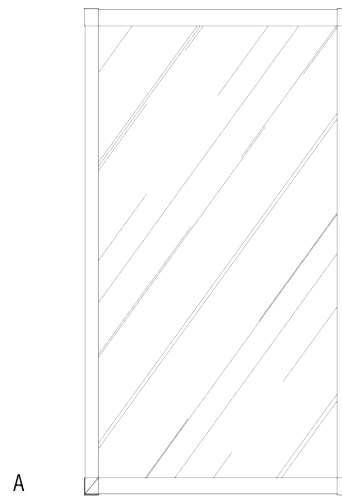


BEFORE YOU BEGIN

1. Professional installation recommended.
2. Tool and materials required:
Carpenter's level
Phillips head screwdriver
3. These instructions are provided for your safety.
It is important that they are read carefully and completely before installation of the fixture.
4. For your safety, it is recommended that two people hang the fixture.
5. Check with a professional to ensure your wall can tolerate a fixture weighing 44 lbs (20 kg).
6. When wall mounting, stud mounting is strongly recommended.

PARTS INCLUDED

- (A) Mirror With Bracket (1)
- (B) Screw - M4 x 30 mm (5)
- (C) EZ Mini Anchor 14 x 44 mm (5)
- (D) Aluminum Hanger 18" (46 cm) (1)



INSTALLATION OF MIRROR

WALL MOUNTING

1. Unpack all parts and place them on a protected work surface.
2. Determine the exact location of the fixture and mark the holes on the wall surface using the holes in the aluminum hanger (D) as a guide.
3. Drill small holes on each point location on the wall.
Each hole should be just large enough to accommodate EZ mini anchor (C).
4. Insert the EZ mini anchors (C) into the holes on the wall.
5. Mount the aluminum hanger (D) into the wall using screws (B).
6. Check that the aluminum hanger fixture is securely screwed into the wall.
7. Place the mirror with hanger cleat (A) into the aluminum hanger fixture.
8. Installation is complete.

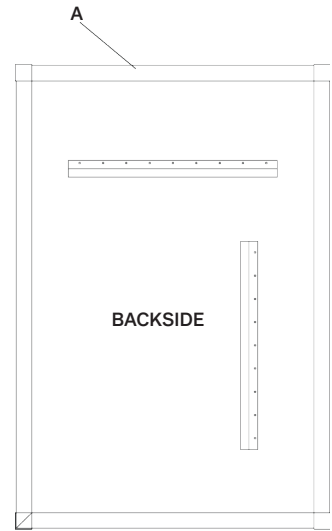


FIGURE 1

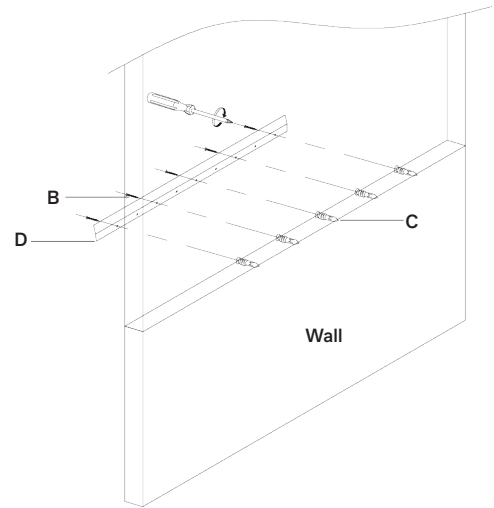


FIGURE 2

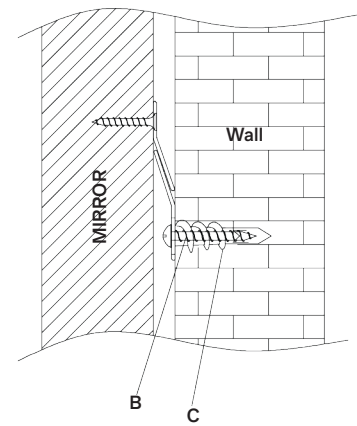


FIGURE 3

****NOTE:** MAKE SURE THAT THE TWO (2) CLEATS (1 ON MIRROR AND 1 ON WALL) ARE LOCKED AND SECURED WITH EACH OTHER. A LEVEL CHECK IS HIGHLY RECOMMENDED. CHECK AND ADJUST IF NEEDED.

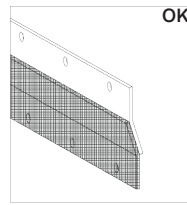


FIGURE 4

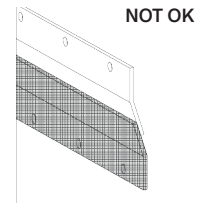


FIGURE 3

WARRANTY

If you are not completely satisfied with your purchase, please contact us to return or exchange your item(s) within 30 days of the delivery date, with proof of purchase. Note that returns or exchanges are not accepted for special orders, items that have been installed, mattresses and/or foundations no longer in their original packaging, and other items listed below. Other exclusions may apply. Contact us for details. Unfortunately, galleries cannot accept returns of furniture or other large items.

CARE INSTRUCTIONS

1. To clean, use a soft dry or damp cloth.
2. Do not use abrasive cleaners.

RH

LUCE MIRROR

36" x 48" (91cm x 122cm)

ASSEMBLY & INSTALLATION INSTRUCTIONS

ENGLISH

LUCE MIRROR

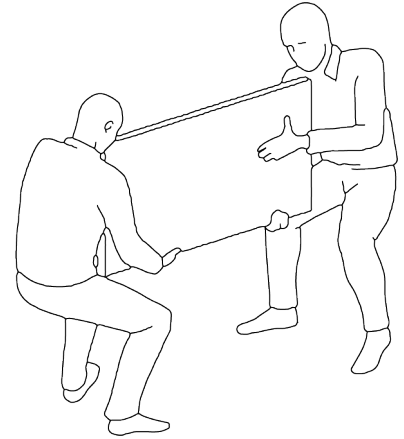
STORAGE

1. Do not stack anything on top of the mirror.
2. Keep the mirror packaged until installation.
3. Store mirror upright on the long edge.

MIRROR HANDLING INSTRUCTIONS

CAUTION:

1. Remove vertically from package.
2. Always carry mirror vertically as illustrated
Carrying flat will cause breakage.

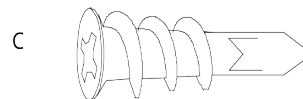
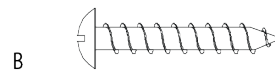
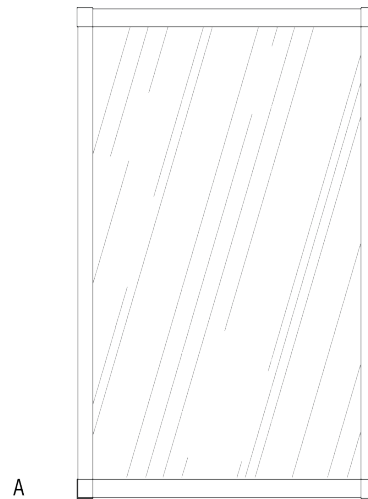


BEFORE YOU BEGIN

1. Professional installation recommended.
2. Tool and materials required:
Carpenter's level
Phillips head screwdriver
3. These instructions are provided for your safety.
It is important that they are read carefully and completely before installation of the fixture.
4. For your safety, it is recommended that two people hang the fixture.
5. Check with a professional to ensure your wall can tolerate a fixture weighing 57 lbs (26 kg).
6. When wall mounting, stud mounting is strongly recommended.

PARTS INCLUDED

- (A) Mirror With Bracket (1)
- (B) Screw - M4 x 30 mm (6)
- (C) EZ Mini Anchor 14 x 44 mm (6)
- (D) Aluminum Hanger 24" (61 cm) (1)



INSTALLATION OF MIRROR

1. Unpack all parts and place them on a protected work surface.
2. Determine the exact location of the fixture and mark the holes on the wall surface using the holes in the aluminum hanger (D) as a guide.
3. Drill small holes on each point location on the wall.
Each hole should be just large enough to accommodate EZ mini anchor (C).
4. Insert the EZ mini anchors (C) into the holes on the wall.
5. Mount the aluminum hanger (D) into the wall using screws (B).
6. Check that the aluminum hanger fixture is securely screwed into the wall.
7. Place the mirror with hanger cleat (A) into the aluminum hanger fixture.
8. Installation is complete.

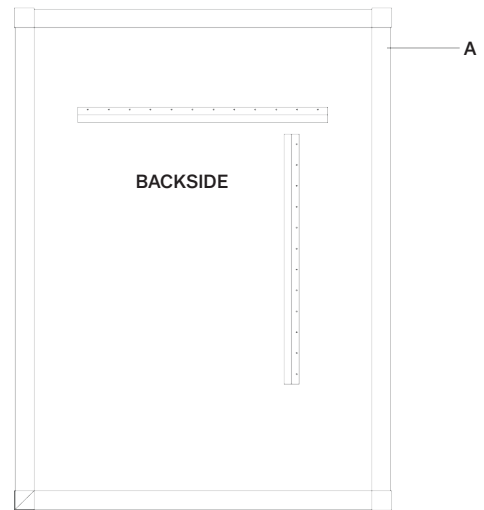


FIGURE 1

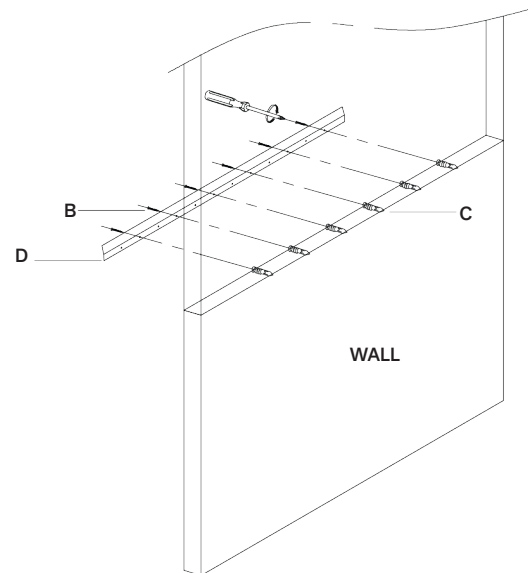


FIGURE 2

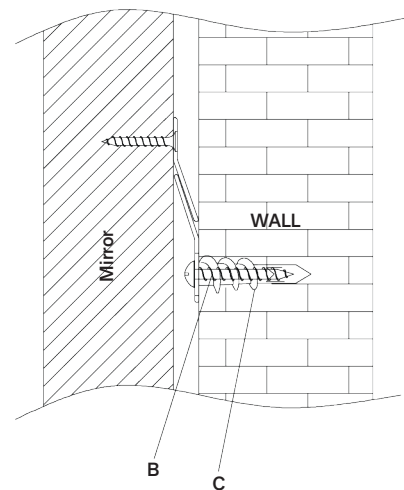


FIGURE 3

****NOTE:** MAKE SURE THAT THE TWO (2) CLEATS (1 ON MIRROR AND 1 ON WALL) ARE LOCKED AND SECURED WITH EACH OTHER. A LEVEL CHECK IS HIGHLY RECOMMENDED. CHECK AND ADJUST IF NEEDED.

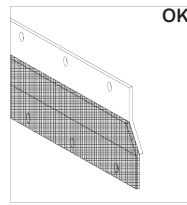


FIGURE 2

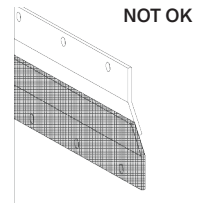


FIGURE 3

WARRANTY

If you are not completely satisfied with your purchase, please contact us to return or exchange your item(s) within 30 days of the delivery date, with proof of purchase. Note that returns or exchanges are not accepted for special orders, items that have been installed, mattresses and/or foundations no longer in their original packaging, and other items listed below. Other exclusions may apply. Contact us for details. Unfortunately, galleries cannot accept returns of furniture or other large items.

CARE INSTRUCTIONS

1. To clean, use a soft dry or damp cloth.
2. Do not use abrasive cleaners.