

CLOUD CURVE COLLECTION



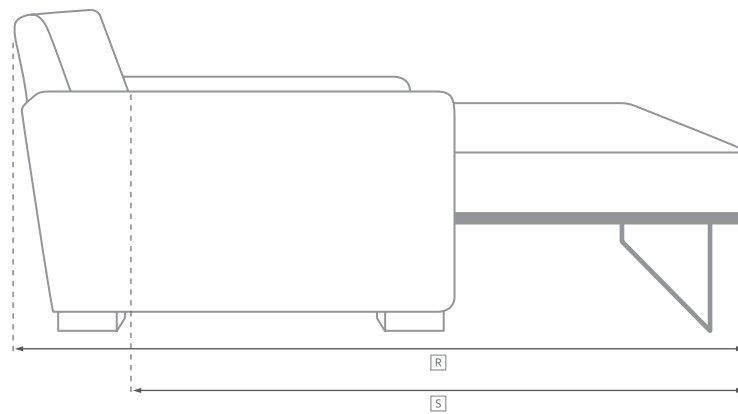
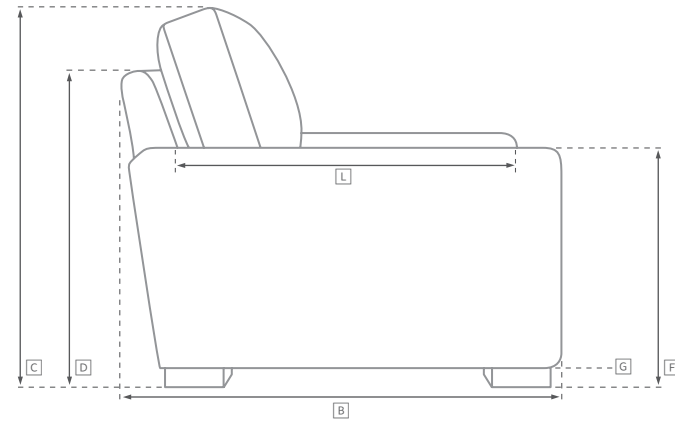
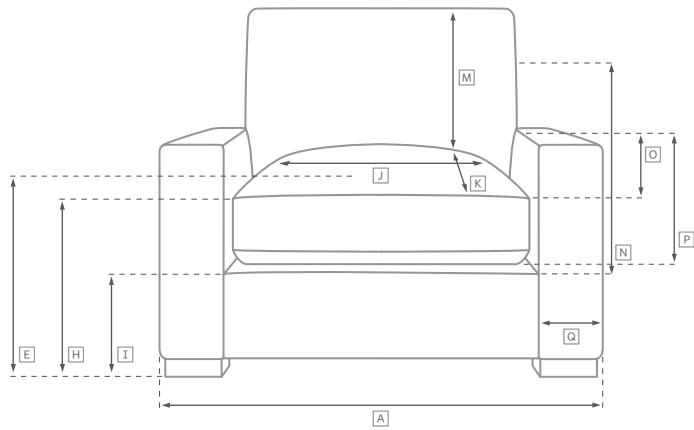
All dimensions are given in inches. See the attached "Dimensions Diagram" sheet for more information on the keys used in this chart.

	A	B	C	D	E	F	G	H	I	J	K	L		M	N				O	P	Q	R	S
	OVERALL WIDTH	OVERALL DEPTH	OVERALL HEIGHT	FRAME HEIGHT	SEAT HEIGHT	ARM HEIGHT	FOOT HEIGHT	SEAT HEIGHT (FLOOR TO CUSHION SEAM)	SEAT HEIGHT (FLOOR TO FRAME)	INSIDE SEAT WIDTH	INSIDE SEAT DEPTH W/ BACK CUSHION	INSIDE SEAT DEPTH W/O BACK CUSHION	INSIDE BACK HEIGHT W/ SEAT & BACK CUSHIONS	INSIDE BACK HEIGHT W/ SEAT CUSHION	INSIDE BACK HEIGHT W/O SEAT OR BACK CUSHION	# OF BACK CUSHIONS	# OF SEAT CUSHIONS	ACCENT PILLOWS	ARM HEIGHT W/ SEAT CUSHION	ARM HEIGHT W/O SEAT CUSHION	ARM WIDTH	SLEEPER DEPTH OVERALL	SLEEPER DEPTH INSIDE
CLASSIC ARMLESS CHAIR	77	40	31½	23½	18½	23½	1	16½	11¼	53¼	22¼	32	13	5	11¼	2	1	0	5	11¼	8	-	-
LUXE ARMLESS CHAIR	81¼	45	31½	23½	18½	23½	1	16½	11¼	53¼	25¼	35¼	13	5	11¼	2	1	0	5	11¼	9	-	-
CLASSIC LEFT-ARM CHAIR	84	40	31½	23½	18½	23½	1	16½	11¼	53¼	22¼	32	13	5	11¼	2	1	1	5	11¼	8	-	-
CLASSIC RIGHT-ARM CHAIR	84	40	31½	23½	18½	23½	1	16½	11¼	53¼	22¼	32	13	5	11¼	2	1	1	5	11¼	8	-	-
LUXE LEFT-ARM CHAIR	89½	45	31½	23½	18½	23½	1	16½	11¼	53¼	25¼	35¼	13	5	11¼	2	1	1	5	11¼	9	-	-
LUXE RIGHT-ARM CHAIR	89½	45	31½	23½	18½	23½	1	16½	11¼	53¼	25¼	35¼	13	5	11¼	2	1	1	5	11¼	9	-	-

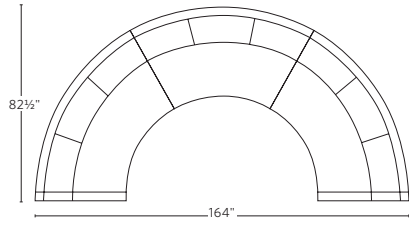
UPHOLSTERY DIMENSIONS DIAGRAM

See the "Dimensions Sheet" for the measurements that correspond with the letters below.

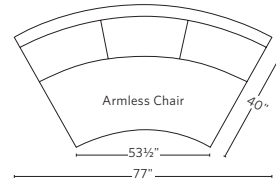
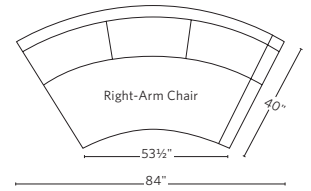
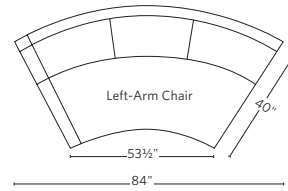
RH



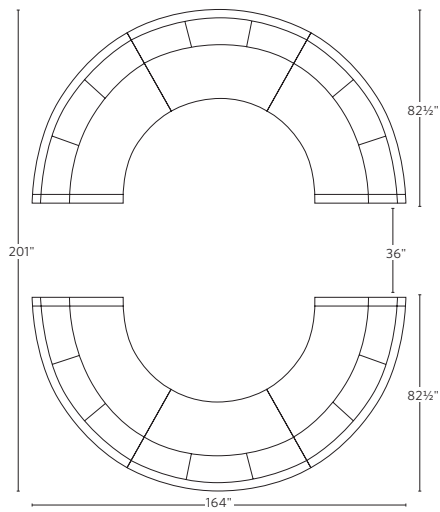
SEMICIRCLE SECTIONAL



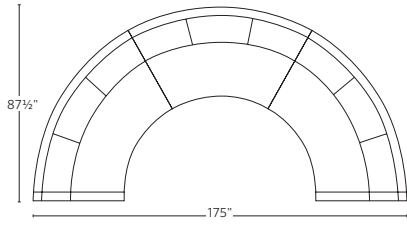
COMPONENTS



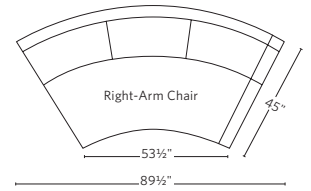
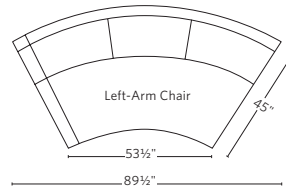
SECTIONAL



SEMICIRCLE SECTIONAL



COMPONENTS



SECTIONAL

