

SOHO COLLECTION



All dimensions are given in inches. See the attached "Dimensions Diagram" sheet for more information on the keys used in this chart.

	A	B	C	D	E	F	G	H	I	J	K	L	M	N				O	P	Q	R	S	
	OVERALL WIDTH	OVERALL DEPTH	OVERALL HEIGHT	FRAME HEIGHT	SEAT HEIGHT	ARM HEIGHT	FOOT HEIGHT	SEAT HEIGHT (FLOOR TO CUSHION SEAM)	SEAT HEIGHT (FLOOR TO FRAME)	INSIDE SEAT WIDTH	INSIDE SEAT DEPTH W/ BACK CUSHION	INSIDE SEAT DEPTH W/O BACK CUSHION	INSIDE BACK HEIGHT W/ SEAT & BACK CUSHIONS	INSIDE BACK HEIGHT W/ SEAT CUSHION	INSIDE BACK HEIGHT W/O SEAT OR BACK CUSHION	# OF BACK CUSHIONS	# OF SEAT CUSHIONS	ACCENT PILLOWS	ARM HEIGHT W/ SEAT CUSHION	ARM HEIGHT W/O SEAT CUSHION	ARM WIDTH	SLEEPER DEPTH OVERALL	SLEEPER DEPTH INSIDE
7' SOFA	84	46	29	29	15	29	1¾	-	15	50	29	29	-	-	14	0	0	0	14	14	17	-	-
8' SOFA	96	46	29	29	15	29	1¾	-	15	62	29	29	-	-	14	0	0	0	14	14	17	-	-
9' SOFA	108	46	29	29	15	29	1¾	-	15	74	29	29	-	-	14	0	0	0	14	14	17	-	-
10' SOFA	120	46	29	29	15	29	1¾	-	15	86	29	29	-	-	14	0	0	0	14	14	17	-	-
CHAIR	60	46	29	29	15	29	1¾	-	15	26	29	29	-	-	14	0	0	0	14	14	17	-	-
10' DAYBED	120	90	29	29	15	29	1¾	-	15	86	29	29	-	-	14	0	0	0	14	14	17	-	-
12' DAYBED	144	90	29	29	15	29	1¾	-	15	110	29	29	-	-	14	0	0	0	14	14	17	-	-
OTTOMAN	60	29	15	15	15	-	1¾	-	15	60	-	-	-	-	-	0	0	0	-	-	-	-	-
COFFEE OTTOMAN	84	29	15	15	15	-	1¾	-	15	84	-	-	-	-	-	0	0	0	-	-	-	-	-
5' ARMLESS SOFA	60	46	29	29	15	-	1¾	-	15	60	29	29	-	-	14	0	0	0	-	-	-	-	-
6' ARMLESS SOFA	72	46	29	29	15	-	1¾	-	15	72	29	29	-	-	14	0	0	0	-	-	-	-	-
7' ARMLESS SOFA	84	46	29	29	15	-	1¾	-	15	84	29	29	-	-	14	0	0	0	-	-	-	-	-
8' ARMLESS SOFA	96	46	29	29	15	-	1¾	-	15	96	29	29	-	-	14	0	0	0	-	-	-	-	-
9' ARMLESS SOFA	108	46	29	29	15	-	1¾	-	15	108	29	29	-	-	14	0	0	0	-	-	-	-	-

SOHO COLLECTION



All dimensions are given in inches. See the attached "Dimensions Diagram" sheet for more information on the keys used in this chart.

	A	B	C	D	E	F	G	H	I	J	K	L		M	N				O	P	Q	R	S
	OVERALL WIDTH	OVERALL DEPTH	OVERALL HEIGHT	FRAME HEIGHT	SEAT HEIGHT	ARM HEIGHT	FOOT HEIGHT	SEAT HEIGHT (FLOOR TO CUSHION SEAM)	SEAT HEIGHT (FLOOR TO FRAME)	INSIDE SEAT WIDTH	INSIDE SEAT DEPTH W/ BACK CUSHION	INSIDE SEAT DEPTH W/O BACK CUSHION	INSIDE BACK HEIGHT W/ SEAT & BACK CUSHIONS	INSIDE BACK HEIGHT W/ SEAT CUSHION	INSIDE BACK HEIGHT W/O SEAT OR BACK CUSHION	# OF BACK CUSHIONS	# OF SEAT CUSHIONS	ACCENT PILLOWS	ARM HEIGHT W/ SEAT CUSHION	ARM HEIGHT W/O SEAT CUSHION	ARM WIDTH	SLEEPER DEPTH OVERALL	SLEEPER DEPTH INSIDE
10' ARMLESS SOFA	120	46	29	29	15	-	1¼	-	15	120	29	29	-	-	14	0	0	0	-	-	-	-	-
6' LEFT-ARM SOFA	72	46	29	29	15	29	1¼	-	15	55	29	29	-	-	14	0	0	0	14	14	17	-	-
6' RIGHT-ARM SOFA	72	46	29	29	15	29	1¼	-	15	55	29	29	-	-	14	0	0	0	14	14	17	-	-
7' LEFT-ARM SOFA	84	46	29	29	15	29	1¼	-	15	67	29	29	-	-	14	0	0	0	14	14	17	-	-
7' RIGHT-ARM SOFA	84	46	29	29	15	29	1¼	-	15	67	29	29	-	-	14	0	0	0	14	14	17	-	-
8' LEFT-ARM SOFA	96	46	29	29	15	29	1¼	-	15	79	29	29	-	-	14	0	0	0	14	14	17	-	-
8' RIGHT-ARM SOFA	96	46	29	29	15	29	1¼	-	15	79	29	29	-	-	14	0	0	0	14	14	17	-	-
9' LEFT-ARM SOFA	108	46	29	29	15	29	1¼	-	15	91	29	29	-	-	14	0	0	0	14	14	17	-	-
9' RIGHT-ARM SOFA	108	46	29	29	15	29	1¼	-	15	91	29	29	-	-	14	0	0	0	14	14	17	-	-
ARMLESS CHAIR	30	46	29	29	15	-	1¼	-	15	30	29	29	-	-	14	0	0	0	-	-	-	-	-
CORNER CHAIR	46	46	29	29	15	29	1¼	-	16	29	29	29	-	-	14	0	0	0	14	14	17	-	-
ARMLESS CHAISE	30	90	29	29	15	-	1¼	-	15	30	29	29	-	-	14	0	0	0	-	-	-	-	-
76" LEFT-ARM CHAISE	40	76	29	29	15	29	1¼	-	15	23	59	59	-	-	14	0	0	0	14	14	17	-	-
90" LEFT-ARM CHAISE	40	90	29	29	15	29	1¼	-	15	23	73	73	-	-	14	0	0	0	14	14	17	-	-

SOHO COLLECTION



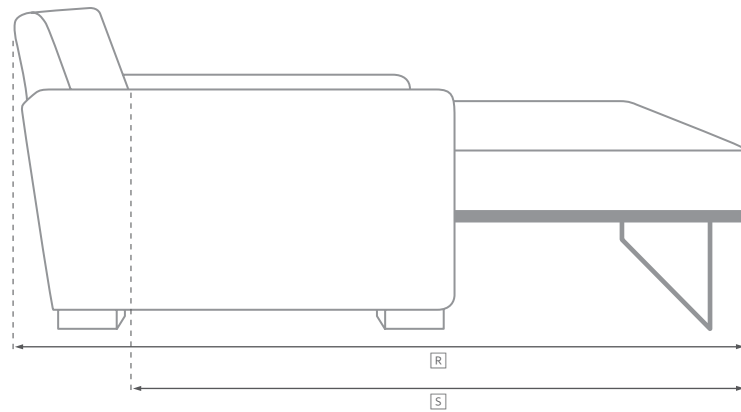
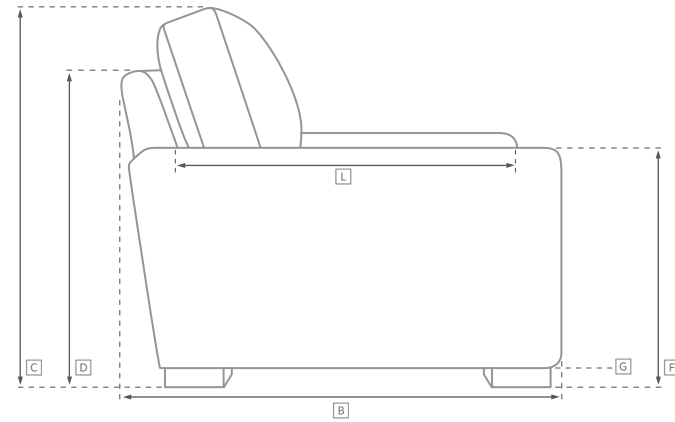
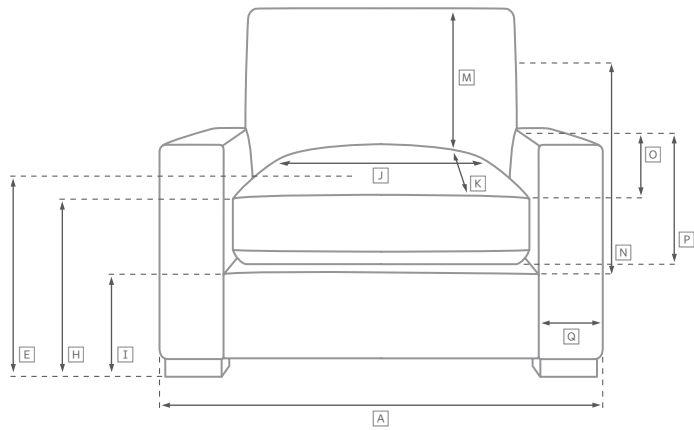
All dimensions are given in inches. See the attached "Dimensions Diagram" sheet for more information on the keys used in this chart.

	A	B	C	D	E	F	G	H	I	J	K	L		M	N				O	P	Q	R	S
	OVERALL WIDTH	OVERALL DEPTH	OVERALL HEIGHT	FRAME HEIGHT	SEAT HEIGHT	ARM HEIGHT	FOOT HEIGHT	SEAT HEIGHT (FLOOR TO CUSHION SEAM)	SEAT HEIGHT (FLOOR TO FRAME)	INSIDE SEAT WIDTH	INSIDE SEAT DEPTH W/ BACK CUSHION	INSIDE SEAT DEPTH W/O BACK CUSHION	INSIDE BACK HEIGHT W/ SEAT & BACK CUSHIONS	INSIDE BACK HEIGHT W/ SEAT CUSHION	INSIDE BACK HEIGHT W/O SEAT OR BACK CUSHION	# OF BACK CUSHIONS	# OF SEAT CUSHIONS	ACCENT PILLOWS	ARM HEIGHT W/ SEAT CUSHION	ARM HEIGHT W/O SEAT CUSHION	ARM WIDTH	SLEEPER DEPTH OVERALL	SLEEPER DEPTH INSIDE
76" RIGHT-ARM CHAISE	40	76	29	29	15	29	1¼	-	15	23	59	59	-	-	14	0	0	0	14	14	17	-	-
90" RIGHT-ARM CHAISE	40	90	29	29	15	29	1¼	-	15	23	73	73	-	-	14	0	0	0	14	14	17	-	-

UPHOLSTERY DIMENSIONS DIAGRAM

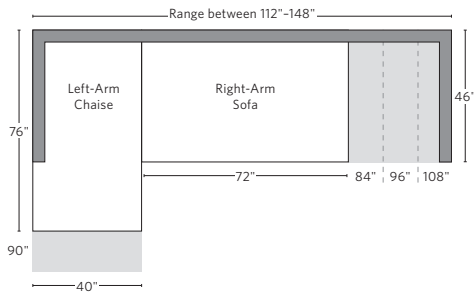
See the "Dimensions Sheet" for the measurements that correspond with the letters below.

RH

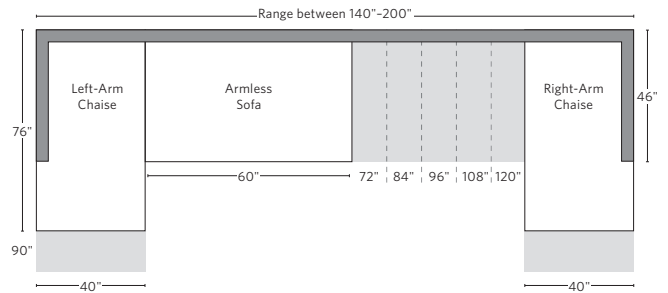


SOFA CHAISE SECTIONAL

Available in left and right-arm configurations.

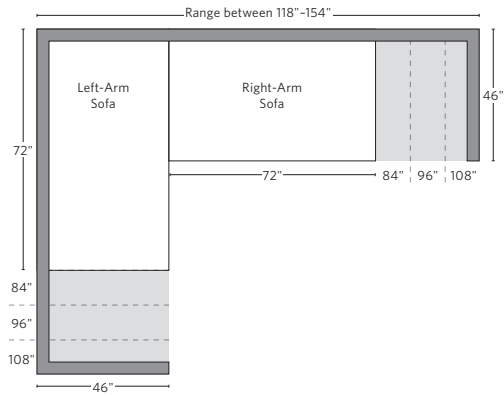


U-CHAISE SECTIONAL



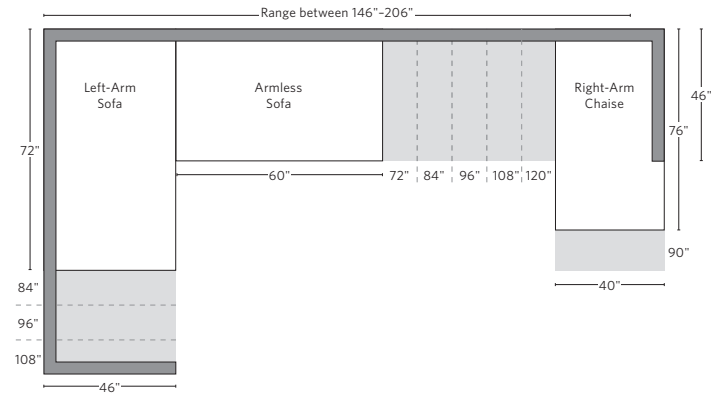
L-SECTIONAL

Available in left and right-arm configurations.

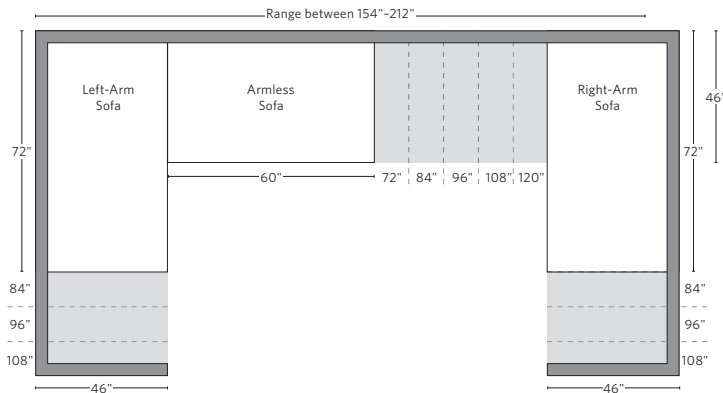


U-SOFA CHAISE SECTIONAL

Available in left and right-arm configurations.



U-SOFA SECTIONAL



Multiple length options available.