

# PARISIAN TRACK ARM COLLECTION



All dimensions are given in inches. See the attached "Dimensions Diagram" sheet for more information on the keys used in this chart.

	OVERALL WIDTH A	OVERALL DEPTH B	OVERALL HEIGHT C	FRAME HEIGHT D	SEAT HEIGHT E	ARM HEIGHT F	FOOT HEIGHT G	SEAT HEIGHT (FLOOR TO CUSHION SEAM) H	SEAT HEIGHT (FLOOR TO FRAME) I	INSIDE SEAT WIDTH J	INSIDE SEAT DEPTH W/ BACK CUSHION K	INSIDE SEAT DEPTH W/O BACK CUSHION L	INSIDE BACK HEIGHT W/ SEAT & BACK CUSHIONS M	INSIDE BACK HEIGHT W/ SEAT CUSHION N	NUMBER OF BACK CUSHIONS	NUMBER OF SEAT CUSHIONS	ACCENT PILLOWS	REGULAR ACCENT PILLOWS DIAMETER	LARGER ACCENT PILLOW DIAMETER	ARM HEIGHT W/ SEAT CUSHION O	ARM HEIGHT W/O SEAT CUSHION P	ARM WIDTH Q	SLEEPER DEPTH OVERALL R	SLEEPER DEPTH INSIDE S
7' CLASSIC SOFA*	84	40	32	32	17½	20	1½	16½	10	70¼	21	28¾	14½	14½	2	2	0	-	-	2½	10	7	-	-
7' LUXE SOFA*	84	44	32	32	17½	20	1½	16½	10	70¼	25	32¾	14½	14½	2	2	0	-	-	2½	10	7	-	-
8' CLASSIC SOFA*	96	40	32	32	17½	20	1½	16½	10	82¼	21	28¾	14½	14½	2	2	0	-	-	2½	10	7	-	-
8' LUXE SOFA*	96	44	32	32	17½	20	1½	16½	10	82¼	25	32¾	14½	14½	2	2	0	-	-	2½	10	7	-	-
9' CLASSIC SOFA*	108	40	32	32	17½	20	1½	16½	10	94¼	21	28¾	14½	14½	2	2	0	-	-	2½	10	7	-	-
9' LUXE SOFA*	108	44	32	32	17½	20	1½	16½	10	94¼	25	32¾	14½	14½	2	2	0	-	-	2½	10	7	-	-
10' CLASSIC SOFA*	120	40	32	32	17½	20	1½	16½	10	106¼	21	28¾	14½	14½	2	2	0	-	-	2½	10	7	-	-
10' LUXE SOFA*	120	44	32	32	17½	20	1½	16½	10	106¼	25	32¾	14½	14½	2	2	0	-	-	2½	10	7	-	-
5' CLASSIC ARMLESS SOFA	60	40	32	32	17½	-	1½	16½	10	60	21	28¾	14½	14½	2	1	0	-	-	-	-	-	-	-
5' LUXE ARMLESS SOFA	60	44	32	32	17½	-	1½	16½	10	60	25	32¾	14½	14½	2	1	0	-	-	-	-	-	-	-
6' CLASSIC ARMLESS SOFA	72	40	32	32	17½	-	1½	16½	10	72	21	28¾	14½	14½	2	1	0	-	-	-	-	-	-	-
6' LUXE ARMLESS SOFA	72	44	32	32	17½	-	1½	16½	10	72	25	32¾	14½	14½	2	1	0	-	-	-	-	-	-	-
7' CLASSIC ARMLESS SOFA	84	40	32	32	17½	-	1½	16½	10	84	21	28¾	14½	14½	2	2	0	-	-	-	-	-	-	-
7' LUXE ARMLESS SOFA	84	44	32	32	17½	-	1½	16½	10	84	25	32¾	14½	14½	2	2	0	-	-	-	-	-	-	-

\*ALSO AVAILABLE WITH 1 SEAT CUSHION

# PARISIAN TRACK ARM COLLECTION



All dimensions are given in inches. See the attached "Dimensions Diagram" sheet for more information on the keys used in this chart.

	OVERALL WIDTH A	OVERALL DEPTH B	OVERALL HEIGHT C	FRAME HEIGHT D	SEAT HEIGHT E	ARM HEIGHT F	FOOT HEIGHT G	SEAT HEIGHT (FLOOR TO CUSHION SEAM) H	SEAT HEIGHT (FLOOR TO FRAME) I	INSIDE SEAT WIDTH J	INSIDE SEAT DEPTH W/ BACK CUSHION K	INSIDE SEAT DEPTH W/O BACK CUSHION L	INSIDE BACK HEIGHT W/ SEAT & BACK CUSHIONS M	INSIDE BACK HEIGHT W/ SEAT CUSHION N	NUMBER OF BACK CUSHIONS	NUMBER OF SEAT CUSHIONS	ACCENT PILLOWS	REGULAR ACCENT PILLOWS DIAMETER	LARGER ACCENT PILLOW DIAMETER	ARM HEIGHT W/ SEAT CUSHION O	ARM HEIGHT W/O SEAT CUSHION P	ARM WIDTH Q	SLEEPER DEPTH OVERALL R	SLEEPER DEPTH INSIDE S	
8' CLASSIC ARMLESS SOFA	96	40	32	32	17½	-	1½	16½	10	96	21	28¾	14½	14½	22	2	2	0	-	-	-	-	-	-	-
8' LUXE ARMLESS SOFA	96	44	32	32	17½	-	1½	16½	10	96	25	32¾	14½	14½	22	2	2	0	-	-	-	-	-	-	-
6' CLASSIC LEFT-ARM SOFA	72	40	32	32	17½	20	1½	16½	10	65¼	21	28¾	14½	14½	22	2	1	0	-	-	2½	10	7	-	-
6' CLASSIC RIGHT-ARM SOFA	72	40	32	32	17½	20	1½	16½	10	65¼	21	28¾	14½	14½	22	2	1	0	-	-	2½	10	7	-	-
6' LUXE LEFT-ARM SOFA	72	44	32	32	17½	20	1½	16½	10	65¼	25	32¾	14½	14½	22	2	1	0	-	-	2½	10	7	-	-
6' LUXE RIGHT-ARM SOFA	72	44	32	32	17½	20	1½	16½	10	65¼	25	32¾	14½	14½	22	2	1	0	-	-	2½	10	7	-	-
7' CLASSIC LEFT-ARM SOFA	84	40	32	32	17½	20	1½	16½	10	77¼	21	28¾	14½	14½	22	2	2	0	-	-	2½	10	7	-	-
7' CLASSIC RIGHT-ARM SOFA	84	40	32	32	17½	20	1½	16½	10	77¼	21	28¾	14½	14½	22	2	2	0	-	-	2½	10	7	-	-
7' LUXE LEFT-ARM SOFA	84	44	32	32	17½	20	1½	16½	10	77¼	25	32¾	14½	14½	22	2	2	0	-	-	2½	10	7	-	-
7' LUXE RIGHT-ARM SOFA	84	44	32	32	17½	20	1½	16½	10	77¼	25	32¾	14½	14½	22	2	2	0	-	-	2½	10	7	-	-
8' CLASSIC LEFT-ARM SOFA	96	40	32	32	17½	20	1½	16½	10	89¼	21	28¾	14½	14½	22	2	2	0	-	-	2½	10	7	-	-
8' CLASSIC RIGHT-ARM SOFA	96	40	32	32	17½	20	1½	16½	10	89¼	21	28¾	14½	14½	22	2	2	0	-	-	2½	10	7	-	-
8' LUXE LEFT-ARM SOFA	96	44	32	32	17½	20	1½	16½	10	89¼	25	32¾	14½	14½	22	2	2	0	-	-	2½	10	7	-	-
8' LUXE RIGHT-ARM SOFA	96	44	32	32	17½	20	1½	16½	10	89¼	25	32¾	14½	14½	22	2	2	0	-	-	2½	10	7	-	-

# PARISIAN TRACK ARM COLLECTION



All dimensions are given in inches. See the attached "Dimensions Diagram" sheet for more information on the keys used in this chart.

	OVERALL WIDTH A	OVERALL DEPTH B	OVERALL HEIGHT C	FRAME HEIGHT D	SEAT HEIGHT E	ARM HEIGHT F	FOOT HEIGHT G	SEAT HEIGHT (FLOOR TO CUSHION SEAM) H	SEAT HEIGHT (FLOOR TO FRAME) I	INSIDE SEAT WIDTH J	INSIDE SEAT DEPTH W/ BACK CUSHION K	INSIDE SEAT DEPTH W/O BACK CUSHION L	INSIDE BACK HEIGHT W/ SEAT & BACK CUSHIONS M	INSIDE BACK HEIGHT W/ SEAT CUSHION N	NUMBER OF BACK CUSHIONS	NUMBER OF SEAT CUSHIONS	ACCENT PILLOWS	REGULAR ACCENT PILLOWS DIAMETER	LARGER ACCENT PILLOW DIAMETER	ARM HEIGHT W/ SEAT CUSHION O	ARM HEIGHT W/O SEAT CUSHION P	ARM WIDTH Q	SLEEPER DEPTH OVERALL R	SLEEPER DEPTH INSIDE S	
9' CLASSIC LEFT-ARM SOFA	108	40	32	32	17½	20	1½	16½	10	101¼	21	28¾	14½	14½	22	2	2	0	-	-	2½	10	7	-	-
9' CLASSIC RIGHT-ARM SOFA	108	40	32	32	17½	20	1½	16½	10	101¼	21	28¾	14½	14½	22	2	2	0	-	-	2½	10	7	-	-
9' LUXE LEFT-ARM SOFA	108	44	32	32	17½	20	1½	16½	10	101¼	25	32¾	14½	14½	22	2	2	0	-	-	2½	10	7	-	-
9' LUXE RIGHT-ARM SOFA	108	44	32	32	17½	20	1½	16½	10	101¼	25	32¾	14½	14½	22	2	2	0	-	-	2½	10	7	-	-
8' CLASSIC LEFT-ARM RETURN SOFA	96	40	32	32	17½	20	1½	16½	10	71	21	28¾	14½	14½	22	3	2	0	-	-	2½	10	7	-	-
8' CLASSIC RIGHT-ARM RETURN SOFA	96	40	32	32	17½	20	1½	16½	10	71	21	28¾	14½	14½	22	3	2	0	-	-	2½	10	7	-	-
8' LUXE LEFT-ARM RETURN SOFA	96	44	32	32	17½	20	1½	16½	10	71	25	32¾	14½	14½	22	3	2	0	-	-	2½	10	7	-	-
8' LUXE RIGHT-ARM RETURN SOFA	96	44	32	32	17½	20	1½	16½	10	71	25	32¾	14½	14½	22	3	2	0	-	-	2½	10	7	-	-
9' CLASSIC LEFT-ARM RETURN SOFA	108	40	32	32	17½	20	1½	16½	10	83	21	28¾	14½	14½	22	3	2	0	-	-	2½	10	7	-	-
9' CLASSIC RIGHT-ARM RETURN SOFA	108	40	32	32	17½	20	1½	16½	10	83	21	28¾	14½	14½	22	3	2	0	-	-	2½	10	7	-	-
9' LUXE LEFT-ARM RETURN SOFA	108	44	32	32	17½	20	1½	16½	10	83	25	32¾	14½	14½	22	3	2	0	-	-	2½	10	7	-	-
9' LUXE RIGHT-ARM RETURN SOFA	108	44	32	32	17½	20	1½	16½	10	83	25	32¾	14½	14½	22	3	2	0	-	-	2½	10	7	-	-
10' CLASSIC LEFT-ARM RETURN SOFA	120	40	32	32	17½	20	1½	16½	10	95	21	28¾	14½	14½	22	3	2	0	-	-	2½	10	7	-	-
10' CLASSIC RIGHT-ARM RETURN SOFA	120	40	32	32	17½	20	1½	16½	10	95	21	28¾	14½	14½	22	3	2	0	-	-	2½	10	7	-	-

# PARISIAN TRACK ARM COLLECTION



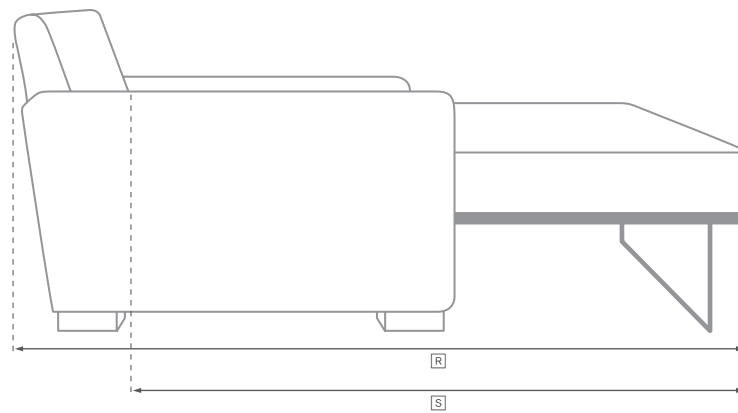
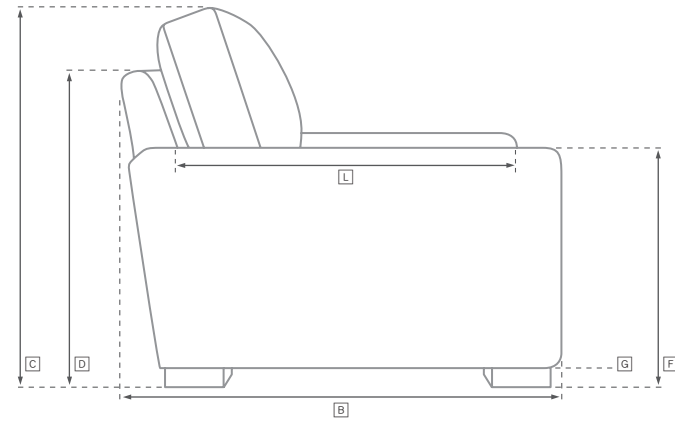
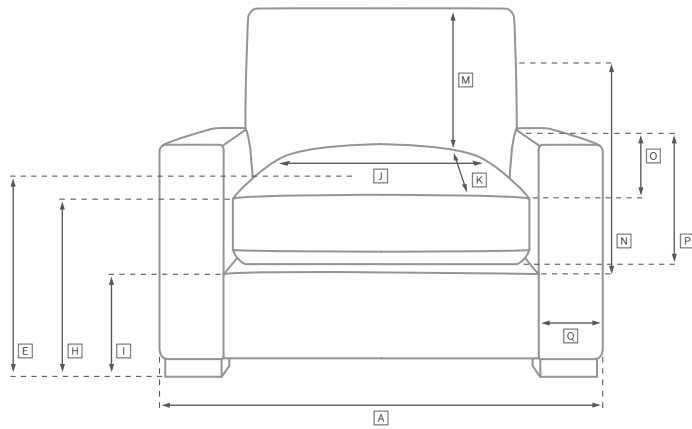
All dimensions are given in inches. See the attached "Dimensions Diagram" sheet for more information on the keys used in this chart.

	OVERALL WIDTH A	OVERALL DEPTH B	OVERALL HEIGHT C	FRAME HEIGHT D	SEAT HEIGHT E	ARM HEIGHT F	FOOT HEIGHT G	SEAT HEIGHT (FLOOR TO CUSHION SEAM) H	SEAT HEIGHT (FLOOR TO FRAME) I	INSIDE SEAT WIDTH J	INSIDE SEAT DEPTH W/ BACK CUSHION K	INSIDE SEAT DEPTH W/O BACK CUSHION L	INSIDE BACK HEIGHT W/ SEAT & BACK CUSHIONS M	INSIDE BACK HEIGHT W/ SEAT CUSHION N	NUMBER OF BACK CUSHIONS	NUMBER OF SEAT CUSHIONS	ACCENT PILLOWS	REGULAR ACCENT PILLOWS DIAMETER	LARGER ACCENT PILLOW DIAMETER	ARM HEIGHT W/ SEAT CUSHION O	ARM HEIGHT W/O SEAT CUSHION P	ARM WIDTH Q	SLEEPER DEPTH OVERALL R	SLEEPER DEPTH INSIDE S	
10' LUXE LEFT-ARM RETURN SOFA	120	44	32	32	17½	20	1½	16½	10	95	25	32¾	14½	14½	22	3	2	0	-	-	2½	10	7	-	-
10' LUXE RIGHT-ARM RETURN SOFA	120	44	32	32	17½	20	1½	16½	10	95	25	32¾	14½	14½	22	3	2	0	-	-	2½	10	7	-	-
CLASSIC CHAIR	39½	40	32	32	17½	20	1½	16½	10	25¾	21	28¾	14½	14½	22	1	1	0	-	-	2½	10	7	-	-
LUXE CHAIR	41½	44	32	32	17½	20	1½	16½	10	27¾	25	32¾	14½	14½	22	1	1	0	-	-	2½	10	7	-	-
CLASSIC SWIVEL CHAIR	39½	40	32	32	17½	20	1½	16½	10	25¾	21	28¾	14½	14½	22	1	1	0	-	-	2½	10	7	-	-
LUXE SWIVEL CHAIR	41½	44	32	32	17½	20	1½	16½	10	27¾	25	32¾	14½	14½	22	1	1	0	-	-	2½	10	7	-	-
CLASSIC OTTOMAN	39½	24¾	17½	17½	17½	-	1½	16½	10	39½	-	-	-	-	-	1	0	-	-	-	-	-	-	-	-
LUXE OTTOMAN	41½	24¾	17½	17½	17½	-	1½	16½	10	41½	-	-	-	-	-	1	0	-	-	-	-	-	-	-	-
CLASSIC LEFT-ARM CHAISE	34¾	72	32	32	17½	20	1½	16½	10	27¾	52½	58½	14½	14½	22	1	1	0	-	-	2½	10	7	-	-
CLASSIC RIGHT-ARM CHAISE	34¾	72	32	32	17½	20	1½	16½	10	27¾	52½	58½	14½	14½	22	1	1	0	-	-	2½	10	7	-	-
LUXE LEFT-ARM CHAISE	36¾	72	32	32	17½	20	1½	16½	10	29¾	52½	58½	14½	14½	22	1	1	0	-	-	2½	10	7	-	-
LUXE RIGHT-ARM CHAISE	36¾	72	32	32	17½	20	1½	16½	10	29¾	52½	58½	14½	14½	22	1	1	0	-	-	2½	10	7	-	-

# UPHOLSTERY DIMENSIONS DIAGRAM

See the "Dimensions Sheet" for the measurements that correspond with the letters below.

RH



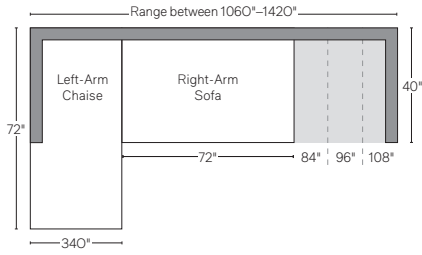
# PARISIAN TRACK ARM COLLECTION - CLASSIC DEPTH 40"

SECTIONALS BY THE FOOT

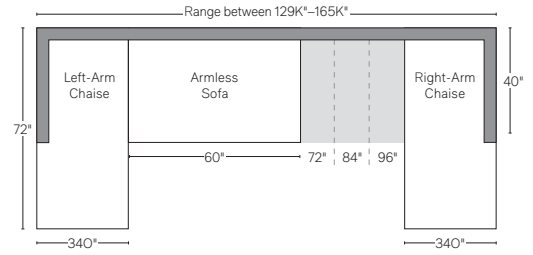
RH

## SOFA CHAISE SECTIONAL

Available in left- and right-arm configurations.

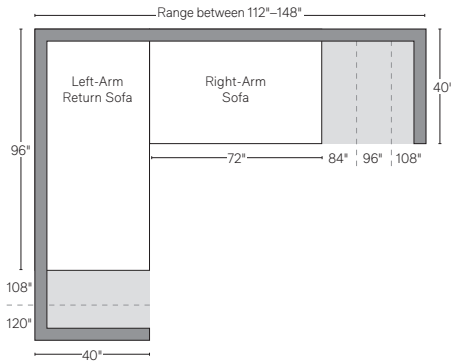


## U-CHAISE SECTIONAL



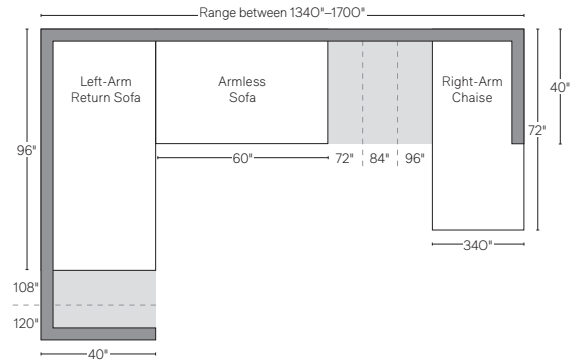
## L-SECTIONAL

Available in left- and right-arm configurations.

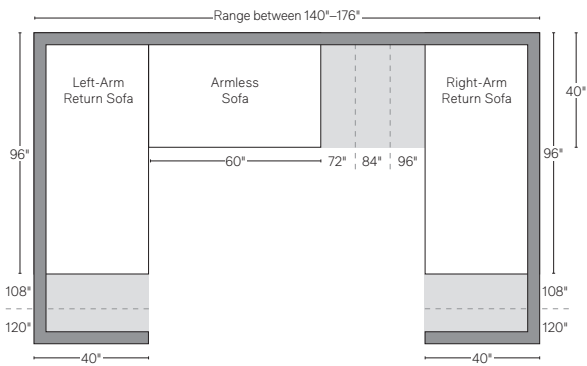


## U-SOFA CHAISE SECTIONAL

Available in left- and right-arm configurations.



## U-SOFA SECTIONAL



Multiple length options available.

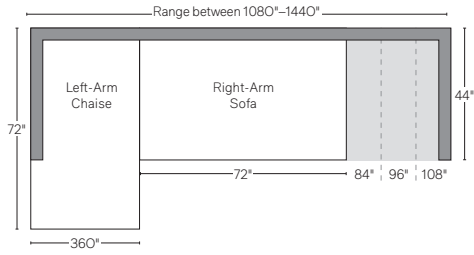
# PARISIAN TRACK ARM COLLECTION - LUXE DEPTH 44"

SECTIONALS BY THE FOOT

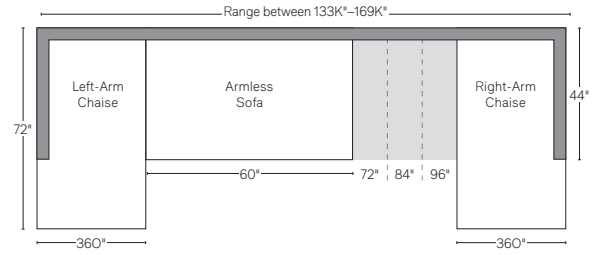


## SOFA CHAISE SECTIONAL

Available in left- and right-arm configurations.

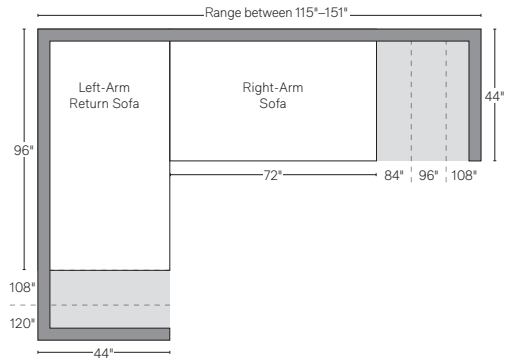


## U-CHAISE SECTIONAL



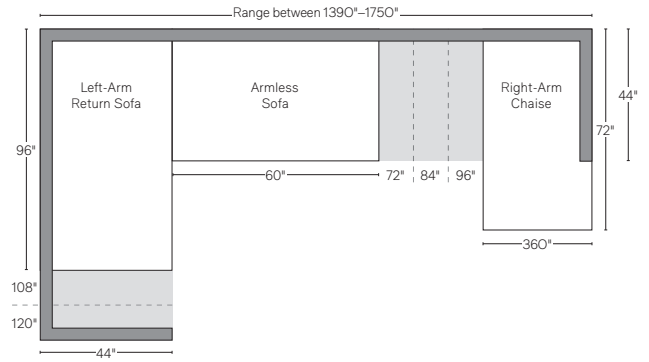
## L-SECTIONAL

Available in left- and right-arm configurations.

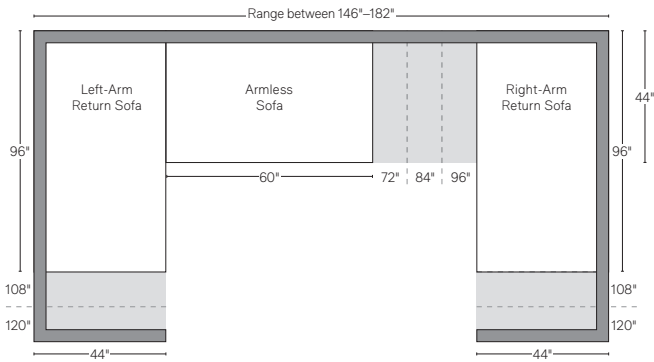


## U-SOFA CHAISE SECTIONAL

Available in left- and right-arm configurations.



## U-SOFA SECTIONAL



Multiple length options available.