

ORIGINAL LANCASTER COLLECTION



All dimensions are given in inches. See the attached "Dimensions Diagram" sheet for more information on the keys used in this chart.

	A	B	C	D	E	F	G	H	I	J	K	L		M	N				O	P	Q	R	S
	OVERALL WIDTH	OVERALL DEPTH	OVERALL HEIGHT	FRAME HEIGHT	SEAT HEIGHT	ARM HEIGHT	FOOT HEIGHT	SEAT HEIGHT (FLOOR TO CUSHION SEAM)	SEAT HEIGHT (FLOOR TO FRAME)	INSIDE SEAT WIDTH	INSIDE SEAT DEPTH W/ BACK CUSHION	INSIDE SEAT DEPTH W/O BACK CUSHION	INSIDE BACK HEIGHT W/ SEAT & BACK CUSHIONS	INSIDE BACK HEIGHT W/ SEAT CUSHION	INSIDE BACK HEIGHT W/O SEAT OR BACK CUSHION	# OF BACK CUSHIONS	# OF SEAT CUSHIONS	ACCENT PILLOWS	ARM HEIGHT W/ SEAT CUSHION	ARM HEIGHT W/O SEAT CUSHION	ARM WIDTH	SLEEPER DEPTH OVERALL	SLEEPER DEPTH INSIDE
5' PETTIE SOFA	60	38	32	29	19	24¾	3¼	18½	12¼	46	24½	29	12½	10	16¾	2	2	0	5¾	12½	7	-	-
5' CLASSIC SOFA	60	43	36	31	20¾	25	3¼	19	12½	43	26	33	15¾	10¾	18½	2	2	0	4¾	12½	8½	-	-
6' PETTIE SOFA	72	38	32	29	19	24¾	3¼	18½	12¼	58	24½	29	12½	10	16¾	2	2	0	5¾	12½	7	-	-
6' CLASSIC SOFA	72	43	36	31	20¾	25	3¼	19	12½	55	26	33	15¾	10¾	18½	2	2	0	4¾	12½	8½	-	-
6' LUXE SOFA	72	49	36	31	20¾	25	3¼	19	12½	55	33½	39	15¾	10¾	18½	2	2	0	4¾	12½	8½	-	-
84" QUEEN SLEEPER SOFA	84	40½	37	34	20	25¾	3¼	18	12	65½	24	34	17	14	22	2	2	0	5¾	13¾	9¾	85½	80
7' PETTIE SOFA	84	38	32	29	19	24¾	3¼	18½	12¼	70	24½	29	12½	10	16¾	3	3	0	5¾	12½	7	-	-
7' CLASSIC SOFA	84	43	36	31	20¾	25	3¼	19	12½	67	26	33	15¾	10¾	18½	3	3	0	4¾	12½	8½	-	-
7' LUXE SOFA	84	49	36	31	20¾	25	3¼	19	12½	67	33½	39	15¾	10¾	18½	3	3	0	4¾	12½	8½	-	-
8' PETTIE SOFA	96	38	32	29	19	24¾	3¼	18½	12¼	82	24½	29	12½	10	16¾	3	3	0	5¾	12½	7	-	-
8' CLASSIC SOFA	96	43	36	31	20¾	25	3¼	19	12½	79	26	33	15¾	10¾	18½	3	3	0	4¾	12½	8½	-	-
8' LUXE SOFA	96	49	36	31	20¾	25	3¼	19	12½	79	33½	39	15¾	10¾	18½	3	3	0	4¾	12½	8½	-	-
98" KING SLEEPER SOFA	98	40½	37	34	20	25¾	3¼	18	12	79½	24	34	17	14	22	2	2	0	5¾	13¾	9¾	85½	80
9' PETTIE SOFA	108	38	32	29	19	24¾	3¼	18½	12¼	94	24½	29	12½	10	16¾	3	3	0	5¾	12½	7	-	-

ORIGINAL LANCASTER COLLECTION



All dimensions are given in inches. See the attached "Dimensions Diagram" sheet for more information on the keys used in this chart.

	A	B	C	D	E	F	G	H	I	J	K	L		M	N				O	P	Q	R	S
	OVERALL WIDTH	OVERALL DEPTH	OVERALL HEIGHT	FRAME HEIGHT	SEAT HEIGHT	ARM HEIGHT	FOOT HEIGHT	SEAT HEIGHT (FLOOR TO CUSHION SEAM)	SEAT HEIGHT (FLOOR TO FRAME)	INSIDE SEAT WIDTH	INSIDE SEAT DEPTH W/ BACK CUSHION	INSIDE SEAT DEPTH W/O BACK CUSHION	INSIDE BACK HEIGHT W/ SEAT & BACK CUSHIONS	INSIDE BACK HEIGHT W/ SEAT CUSHION	INSIDE BACK HEIGHT W/O SEAT OR BACK CUSHION	# OF BACK CUSHIONS	# OF SEAT CUSHIONS	ACCENT PILLOWS	ARM HEIGHT W/ SEAT CUSHION	ARM HEIGHT W/O SEAT CUSHION	ARM WIDTH	SLEEPER DEPTH OVERALL	SLEEPER DEPTH INSIDE
9' CLASSIC SOFA	108	43	36	31	20¾	25	3¾	19	12½	91	26	33	15¾	10¾	18½	3	3	0	4¾	12½	8½	-	-
9' LUXE SOFA	108	49	36	31	20¾	25	3¾	19	12½	91	33½	39	15¾	10¾	18½	3	3	0	4¾	12½	8½	-	-
108" KING SLEEPER SOFA	108	40½	37	34	20	25¾	3¾	18	12	89½	24	34	17	14	22	2	2	0	5¾	13¾	9¾	85½	80
10' LUXE SOFA	120	49	36	31	20¾	25	3¾	19	12½	103	33½	39	15¾	10¾	18½	3	3	0	4¾	12½	8½	-	-
PETTE CHAIR	36	38	32	29	19	24¾	3¾	18½	12¾	22	24½	29	12½	10	16¾	1	1	0	5¾	12½	7	-	-
CLASSIC CHAIR	41	43	36	31	20¾	25	3¾	19	12½	24	26	33	15¾	10¾	18½	1	1	0	4¾	12½	8½	-	-
LUXE CHAIR	43	45	36	31	20¾	25	3¾	19	12½	26	30	35	15¾	10¾	18½	1	1	0	4¾	12½	8½	-	-
CLASSIC CHAIR-AND-A-HALF	50	43	36	31	20¾	25	3¾	19	12½	33	26	33	15¾	10¾	18½	1	1	0	4¾	12½	8½	-	-
LUXE CHAIR-AND-A-HALF	50	45	36	31	20¾	25	3¾	19	12½	33	30	35	15¾	10¾	18½	1	1	0	4¾	12½	8½	-	-
CLASSIC SWIVEL CHAIR	41	43	36	31	20¾	25	3¾	19	12½	24	26	33	15¾	10¾	18½	1	1	0	4¾	12½	8½	-	-
LUXE SWIVEL CHAIR	43	45	36	31	20¾	25	3¾	19	12½	26	30	35	15¾	10¾	18½	1	1	0	4¾	12½	8½	-	-
RECLINER	41	43	36	31	20¾	25	3¾	19	12½	24	28	33	15¾	10¾	18½	1	1	0	4¾	12½	8½	-	-
40" CHAISE	40	67	36	31	20¾	25	3¾	19	12½	23	52	57	15¾	10¾	18½	1	1	0	4¾	12½	8½	-	-
43" CHAISE	43	70	36	31	20¾	25	3¾	19	12½	26	55	60	15¾	10¾	18½	1	1	0	4¾	12½	8½	-	-

ORIGINAL LANCASTER COLLECTION



All dimensions are given in inches. See the attached "Dimensions Diagram" sheet for more information on the keys used in this chart.

	A	B	C	D	E	F	G	H	I	J	K	L		M	N				O	P	Q	R	S
	OVERALL WIDTH	OVERALL DEPTH	OVERALL HEIGHT	FRAME HEIGHT	SEAT HEIGHT	ARM HEIGHT	FOOT HEIGHT	SEAT HEIGHT (FLOOR TO CUSHION SEAM)	SEAT HEIGHT (FLOOR TO FRAME)	INSIDE SEAT WIDTH	INSIDE SEAT DEPTH W/ BACK CUSHION	INSIDE SEAT DEPTH W/O BACK CUSHION	INSIDE BACK HEIGHT W/ SEAT & BACK CUSHIONS	INSIDE BACK HEIGHT W/ SEAT CUSHION	INSIDE BACK HEIGHT W/O SEAT OR BACK CUSHION	# OF BACK CUSHIONS	# OF SEAT CUSHIONS	ACCENT PILLOWS	ARM HEIGHT W/ SEAT CUSHION	ARM HEIGHT W/O SEAT CUSHION	ARM WIDTH	SLEEPER DEPTH OVERALL	SLEEPER DEPTH INSIDE
PETITE OTTOMAN	31	23	18½	18½	18½	-	3¼	18	12¼	31	-	-	-	-	-	0	1	0	-	-	-	-	-
OTTOMAN	38	29	18½	18½	18½	-	3¼	18	12½	38	-	-	-	-	-	0	1	0	-	-	-	-	-
COFFEE OTTOMAN	60	40	18½	18½	18½	-	3¼	18	12¼	60	-	-	-	-	-	0	1	0	-	-	-	-	-
DAYBED	96	60	36	31	20¼	25	3¼	19	12½	103	45	50	15¼	10¼	18½	2	2	0	4¼	12½	8½	-	-
5' PETITE ARMLESS SOFA	60	38	32	29	19	-	3¼	18½	12¼	60	24½	29	12½	10	16¼	2	2	0	-	-	-	-	-
5' CLASSIC ARMLESS SOFA	60	43	36	31	20¼	-	3¼	19	12½	60	26	33	15¼	10¼	18½	2	2	0	-	-	-	-	-
6' PETITE ARMLESS SOFA	72	38	32	29	19	-	3¼	18½	12¼	72	24½	29	12½	10	16¼	2	2	0	-	-	-	-	-
6' CLASSIC ARMLESS SOFA	72	43	36	31	20¼	-	3¼	19	12½	72	26	33	15¼	10¼	18½	2	2	0	-	-	-	-	-
6' LUXE ARMLESS SOFA	72	49	36	31	20¼	-	3¼	19	12½	72	33½	39	15¼	10¼	18½	2	2	0	-	-	-	-	-
7' PETITE ARMLESS SOFA	84	38	32	29	19	-	3¼	18½	12¼	84	24½	29	12½	10	16¼	3	3	0	-	-	-	-	-
7' CLASSIC ARMLESS SOFA	84	43	36	31	20¼	-	3¼	19	12½	84	26	33	15¼	10¼	18½	3	3	0	-	-	-	-	-
7' LUXE ARMLESS SOFA	84	49	36	31	20¼	-	3¼	19	12½	84	33½	39	15¼	10¼	18½	3	3	0	-	-	-	-	-
8' PETITE ARMLESS SOFA	96	38	32	29	19	-	3¼	18½	12¼	96	24½	29	12½	10	16¼	3	3	0	-	-	-	-	-
8' CLASSIC ARMLESS SOFA	96	43	36	31	20¼	-	3¼	19	12½	96	26	33	15¼	10¼	18½	3	3	0	-	-	-	-	-

ORIGINAL LANCASTER COLLECTION



All dimensions are given in inches. See the attached "Dimensions Diagram" sheet for more information on the keys used in this chart.

	A	B	C	D	E	F	G	H	I	J	K	L		M	N				O	P	Q	R	S
	OVERALL WIDTH	OVERALL DEPTH	OVERALL HEIGHT	FRAME HEIGHT	SEAT HEIGHT	ARM HEIGHT	FOOT HEIGHT	SEAT HEIGHT (FLOOR TO CUSHION SEAM)	SEAT HEIGHT (FLOOR TO FRAME)	INSIDE SEAT WIDTH	INSIDE SEAT DEPTH W/ BACK CUSHION	INSIDE SEAT DEPTH W/O BACK CUSHION	INSIDE BACK HEIGHT W/ SEAT & BACK CUSHIONS	INSIDE BACK HEIGHT W/ SEAT CUSHION	INSIDE BACK HEIGHT W/O SEAT OR BACK CUSHION	# OF BACK CUSHIONS	# OF SEAT CUSHIONS	ACCENT PILLOWS	ARM HEIGHT W/ SEAT CUSHION	ARM HEIGHT W/O SEAT CUSHION	ARM WIDTH	SLEEPER DEPTH OVERALL	SLEEPER DEPTH INSIDE
8' LUXE ARMLESS SOFA	96	49	36	31	20¾	-	3¾	19	12½	96	33½	39	15¾	10¾	18½	3	3	0	-	-	-	-	-
9' PETITE ARMLESS SOFA	108	38	32	29	19	-	3¾	18½	12¼	108	24½	29	12½	10	16¾	3	3	0	-	-	-	-	-
9' CLASSIC ARMLESS SOFA	108	43	36	31	20¾	-	3¾	19	12½	108	26	33	15¾	10¾	18½	3	3	0	-	-	-	-	-
9' LUXE ARMLESS SOFA	108	49	36	31	20¾	-	3¾	19	12½	108	33½	39	15¾	10¾	18½	3	3	0	-	-	-	-	-
6' PETITE LEFT-ARM SOFA	72	38	32	29	19	24¾	3¾	18½	12¼	65	24½	29	12½	10	16¾	2	2	0	5¾	12½	7	-	-
6' CLASSIC LEFT-ARM SOFA	72	43	36	31	20¾	25	3¾	19	12½	63½	26	33	15¾	10¾	18½	2	2	0	4¾	12½	8½	-	-
6' LUXE LEFT-ARM SOFA	72	49	36	31	20¾	25	3¾	19	12½	63½	33½	39	15¾	10¾	18½	2	2	0	4¾	12½	8½	-	-
7' PETITE LEFT-ARM SOFA	84	38	32	29	19	24¾	3¾	18½	12¼	77	24½	29	12½	10	16¾	3	3	0	5¾	12½	7	-	-
7' CLASSIC LEFT-ARM SOFA	84	43	36	31	20¾	25	3¾	19	12½	75½	26	33	15¾	10¾	18½	3	3	0	4¾	12½	8½	-	-
7' LUXE LEFT-ARM SOFA	84	49	36	31	20¾	25	3¾	19	12½	75½	33½	39	15¾	10¾	18½	2	2	0	4¾	12½	8½	-	-
8' PETITE LEFT-ARM SOFA	96	38	32	29	19	24¾	3¾	18½	12¼	89	24½	29	12½	10	16¾	3	3	0	5¾	12½	7	-	-
8' CLASSIC LEFT-ARM SOFA	96	43	36	31	20¾	25	3¾	19	12½	87½	26	33	15¾	10¾	18½	3	3	0	4¾	12½	8½	-	-
8' LUXE LEFT-ARM SOFA	96	49	36	31	20¾	25	3¾	19	12½	87½	33½	39	15¾	10¾	18½	3	3	0	4¾	12½	8½	-	-
9' PETITE LEFT-ARM SOFA	108	38	32	29	19	24¾	3¾	18½	12¼	101	24½	29	12½	10	16¾	3	3	0	5¾	12½	7	-	-

ORIGINAL LANCASTER COLLECTION



All dimensions are given in inches. See the attached "Dimensions Diagram" sheet for more information on the keys used in this chart.

	A	B	C	D	E	F	G	H	I	J	K	L		M	N				O	P	Q	R	S
	OVERALL WIDTH	OVERALL DEPTH	OVERALL HEIGHT	FRAME HEIGHT	SEAT HEIGHT	ARM HEIGHT	FOOT HEIGHT	SEAT HEIGHT (FLOOR TO CUSHION SEAM)	SEAT HEIGHT (FLOOR TO FRAME)	INSIDE SEAT WIDTH	INSIDE SEAT DEPTH W/ BACK CUSHION	INSIDE SEAT DEPTH W/O BACK CUSHION	INSIDE BACK HEIGHT W/ SEAT & BACK CUSHIONS	INSIDE BACK HEIGHT W/ SEAT CUSHION	INSIDE BACK HEIGHT W/O SEAT OR BACK CUSHION	# OF BACK CUSHIONS	# OF SEAT CUSHIONS	ACCENT PILLOWS	ARM HEIGHT W/ SEAT CUSHION	ARM HEIGHT W/O SEAT CUSHION	ARM WIDTH	SLEEPER DEPTH OVERALL	SLEEPER DEPTH INSIDE
9' CLASSIC LEFT-ARM SOFA	108	43	36	31	20¾	25	3¾	19	12½	99½	26	33	15¾	10¾	18½	3	3	0	4¾	12½	8½	-	-
9' LUXE LEFT-ARM SOFA	108	49	36	31	20¾	25	3¾	19	12½	99½	33½	39	15¾	10¾	18½	3	3	0	4¾	12½	8½	-	-
10' LUXE LEFT-ARM SOFA	120	49	36	31	20¾	25	3¾	19	12½	111½	33½	39	15¾	10¾	18½	3	3	0	4¾	12½	8½	-	-
6' PETTIE RIGHT-ARM SOFA	72	38	32	29	19	24¾	3¾	18½	12¼	65	24½	29	12½	10	16¾	2	2	0	5¾	12½	7	-	-
6' CLASSIC RIGHT-ARM SOFA	72	43	36	31	20¾	25	3¾	19	12½	63½	26	33	15¾	10¾	18½	2	2	0	4¾	12½	8½	-	-
6' LUXE RIGHT-ARM SOFA	72	49	36	31	20¾	25	3¾	19	12½	63½	33½	39	15¾	10¾	18½	2	2	0	4¾	12½	8½	-	-
7' PETTIE RIGHT-ARM SOFA	84	38	32	29	19	24¾	3¾	18½	12¼	77	24½	29	12½	10	16¾	3	3	0	5¾	12½	7	-	-
7' CLASSIC RIGHT-ARM SOFA	84	43	36	31	20¾	25	3¾	19	12½	75½	26	33	15¾	10¾	18½	3	3	0	4¾	12½	8½	-	-
7' LUXE RIGHT-ARM SOFA	84	49	36	31	20¾	25	3¾	19	12½	75½	33½	39	15¾	10¾	18½	2	2	0	4¾	12½	8½	-	-
8' PETTIE RIGHT-ARM SOFA	96	38	32	29	19	24¾	3¾	18½	12¼	89	24½	29	12½	10	16¾	3	3	0	5¾	12½	7	-	-
8' CLASSIC RIGHT-ARM SOFA	96	43	36	31	20¾	25	3¾	19	12½	87½	26	33	15¾	10¾	18½	3	3	0	4¾	12½	8½	-	-
8' LUXE RIGHT-ARM SOFA	96	49	36	31	20¾	25	3¾	19	12½	87½	33½	39	15¾	10¾	18½	3	3	0	4¾	12½	8½	-	-
9' PETTIE RIGHT-ARM SOFA	108	38	32	29	19	24¾	3¾	18½	12¼	101	24½	29	12½	10	16¾	3	3	0	5¾	12½	7	-	-
9' CLASSIC RIGHT-ARM SOFA	108	43	36	31	20¾	25	3¾	19	12½	99½	26	33	15¾	10¾	18½	3	3	0	4¾	12½	8½	-	-

ORIGINAL LANCASTER COLLECTION



All dimensions are given in inches. See the attached "Dimensions Diagram" sheet for more information on the keys used in this chart.

	A	B	C	D	E	F	G	H	I	J	K	L		M	N				O	P	Q	R	S
	OVERALL WIDTH	OVERALL DEPTH	OVERALL HEIGHT	FRAME HEIGHT	SEAT HEIGHT	ARM HEIGHT	FOOT HEIGHT	SEAT HEIGHT (FLOOR TO CUSHION SEAM)	SEAT HEIGHT (FLOOR TO FRAME)	INSIDE SEAT WIDTH	INSIDE SEAT DEPTH W/ BACK CUSHION	INSIDE SEAT DEPTH W/O BACK CUSHION	INSIDE BACK HEIGHT W/ SEAT & BACK CUSHIONS	INSIDE BACK HEIGHT W/ SEAT CUSHION	INSIDE BACK HEIGHT W/O SEAT OR BACK CUSHION	# OF BACK CUSHIONS	# OF SEAT CUSHIONS	ACCENT PILLOWS	ARM HEIGHT W/ SEAT CUSHION	ARM HEIGHT W/O SEAT CUSHION	ARM WIDTH	SLEEPER DEPTH OVERALL	SLEEPER DEPTH INSIDE
9' LUXE RIGHT-ARM SOFA	108	49	36	31	20¾	25	3¾	19	12½	99½	33½	39	15¾	10¾	18½	3	3	0	4¾	12½	8½	-	-
10' LUXE RIGHT-ARM SOFA	120	49	36	31	20¾	25	3¾	19	12½	111½	33½	39	15¾	10¾	18½	3	3	0	4¾	12½	8½	-	-
7' PETITE LEFT-ARM RETURN SOFA	84	38	32	29	19	24¾	3¾	18½	12¼	62	24½	29	12½	10	16¾	3	2	0	5¾	12½	7	-	-
7' CLASSIC LEFT-ARM RETURN SOFA	84	43	36	31	20¾	25	3¾	19	12½	59	26	33	15¾	10¾	18½	3	2	0	4¾	12½	8½	-	-
7' LUXE LEFT-ARM RETURN SOFA	84	49	36	31	20¾	25	3¾	19	12½	59	33½	39	15¾	10¾	18½	3	2	0	4¾	12½	8½	-	-
8' PETITE LEFT-ARM RETURN SOFA	96	38	32	29	19	24¾	3¾	18½	12¼	74	24½	29	12½	10	16¾	4	3	0	5¾	12½	7	-	-
8' CLASSIC LEFT-ARM RETURN SOFA	96	43	36	31	20¾	25	3¾	19	12½	71	26	33	15¾	10¾	18½	4	3	0	4¾	12½	8½	-	-
8' LUXE LEFT-ARM RETURN SOFA	96	49	36	31	20¾	25	3¾	19	12½	71	33½	39	15¾	10¾	18½	3	2	0	4¾	12½	8½	-	-
9' PETITE LEFT-ARM RETURN SOFA	108	38	32	29	19	24¾	3¾	18½	12¼	86	24½	29	12½	10	16¾	3	2	0	5¾	12½	7	-	-
9' CLASSIC LEFT-ARM RETURN SOFA	108	43	36	31	20¾	25	3¾	19	12½	83	26	33	15¾	10¾	18½	3	2	0	4¾	12½	8½	-	-
9' LUXE LEFT-ARM RETURN SOFA	108	49	36	31	20¾	25	3¾	19	12½	83	33½	39	15¾	10¾	18½	3	2	0	4¾	12½	8½	-	-
10' LUXE LEFT-ARM RETURN SOFA	120	49	36	31	20¾	25	3¾	19	12½	95	33½	39	15¾	10¾	18½	4	3	0	4¾	12½	8½	-	-
7' PETITE RIGHT-ARM RETURN SOFA	84	38	32	29	19	24¾	3¾	18½	12¼	62	24½	29	12½	10	16¾	3	2	0	5¾	12½	7	-	-
7' CLASSIC RIGHT-ARM RETURN SOFA	84	43	36	31	20¾	25	3¾	19	12½	59	26	33	15¾	10¾	18½	3	2	0	4¾	12½	8½	-	-

ORIGINAL LANCASTER COLLECTION



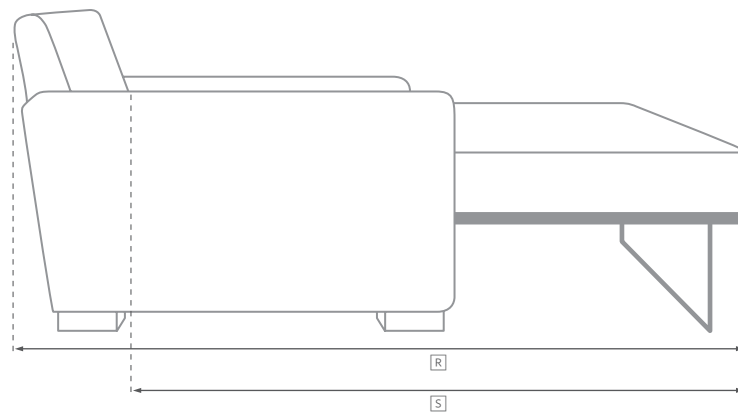
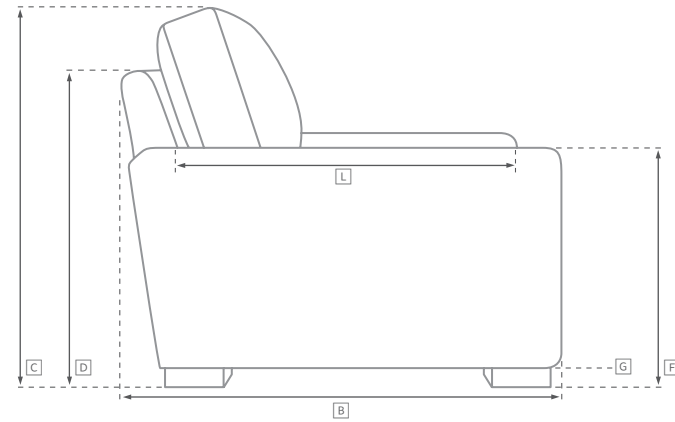
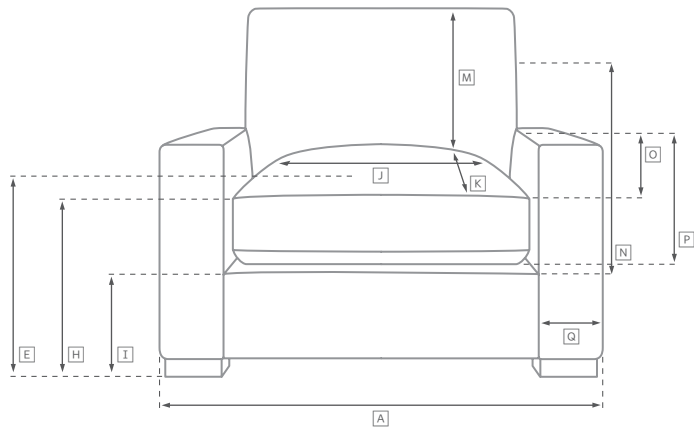
All dimensions are given in inches. See the attached "Dimensions Diagram" sheet for more information on the keys used in this chart.

	A	B	C	D	E	F	G	H	I	J	K	L		M	N				O	P	Q	R	S
	OVERALL WIDTH	OVERALL DEPTH	OVERALL HEIGHT	FRAME HEIGHT	SEAT HEIGHT	ARM HEIGHT	FOOT HEIGHT	SEAT HEIGHT (FLOOR TO CUSHION SEAM)	SEAT HEIGHT (FLOOR TO FRAME)	INSIDE SEAT WIDTH	INSIDE SEAT DEPTH W/ BACK CUSHION	INSIDE SEAT DEPTH W/O BACK CUSHION	INSIDE BACK HEIGHT W/ SEAT & BACK CUSHIONS	INSIDE BACK HEIGHT W/ SEAT CUSHION	INSIDE BACK HEIGHT W/O SEAT OR BACK CUSHION	# OF BACK CUSHIONS	# OF SEAT CUSHIONS	ACCENT PILLOWS	ARM HEIGHT W/ SEAT CUSHION	ARM HEIGHT W/O SEAT CUSHION	ARM WIDTH	SLEEPER DEPTH OVERALL	SLEEPER DEPTH INSIDE
7' LUXE RIGHT-ARM RETURN SOFA	84	49	36	31	20¾	25	3¾	19	12½	59	33½	39	15¾	10¾	18½	3	2	0	4¾	12½	8½	-	-
8' PETITE RIGHT-ARM RETURN SOFA	96	38	32	29	19	24¾	3¾	18½	12¼	74	24½	29	12½	10	16¾	4	3	0	5¾	12½	7	-	-
8' CLASSIC RIGHT-ARM RETURN SOFA	96	43	36	31	20¾	25	3¾	19	12½	71	26	33	15¾	10¾	18½	4	3	0	4¾	12½	8½	-	-
8' LUXE RIGHT-ARM RETURN SOFA	96	49	36	31	20¾	25	3¾	19	12½	71	33½	39	15¾	10¾	18½	3	2	0	4¾	12½	8½	-	-
9' PETITE RIGHT-ARM RETURN SOFA	108	38	32	29	19	24¾	3¾	18½	12¼	86	24½	29	12½	10	16¾	3	2	0	5¾	12½	7	-	-
9' CLASSIC RIGHT-ARM RETURN SOFA	108	43	36	31	20¾	25	3¾	19	12½	83	26	33	15¾	10¾	18½	3	2	0	4¾	12½	8½	-	-
9' LUXE RIGHT-ARM RETURN SOFA	108	49	36	31	20¾	25	3¾	19	12½	83	33½	39	15¾	10¾	18½	3	2	0	4¾	12½	8½	-	-
10' LUXE RIGHT-ARM RETURN SOFA	120	49	36	31	20¾	25	3¾	19	12½	95	33½	39	15¾	10¾	18½	4	3	0	4¾	12½	8½	-	-
PETITE LEFT-ARM CHAISE	31	65	32	29	19	24¾	3¾	18½	12¼	24	51½	56	12½	10	16¾	1	1	0	5¾	12½	7	-	-
CLASSIC LEFT-ARM CHAISE	33	68	36	31	20¾	25	3¾	19	12½	24½	52½	58	15¾	10¾	18½	1	1	0	4¾	12½	8½	-	-
LUXE LEFT-ARM CHAISE	35	70	36	31	20¾	25	3¾	19	12½	26½	54½	60	15¾	10¾	18½	1	1	0	4¾	12½	8½	-	-
PETITE RIGHT-ARM CHAISE	31	65	32	29	19	24¾	3¾	18½	12¼	24	51½	56	12½	10	16¾	1	1	0	5¾	12½	7	-	-
CLASSIC RIGHT-ARM CHAISE	33	68	36	31	20¾	25	3¾	19	12½	24½	52½	58	15¾	10¾	18½	1	1	0	4¾	12½	8½	-	-
LUXE RIGHT-ARM CHAISE	35	70	36	31	20¾	25	3¾	19	12½	26½	54½	60	15¾	10¾	18½	1	1	0	4¾	12½	8½	-	-

UPHOLSTERY DIMENSIONS DIAGRAM

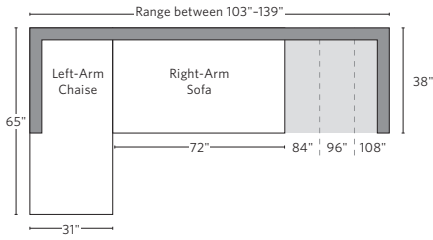
See the "Dimensions Sheet" for the measurements that correspond with the letters below.

RH

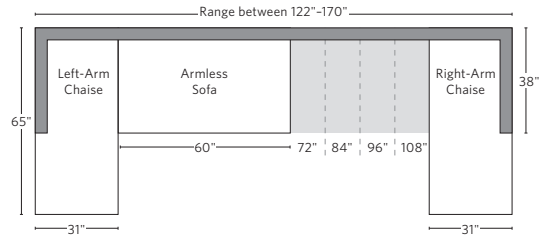


SOFA CHAISE SECTIONAL

Available in left and right-arm configurations.

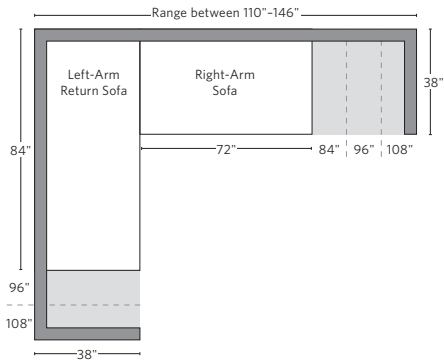


U-CHAISE SECTIONAL



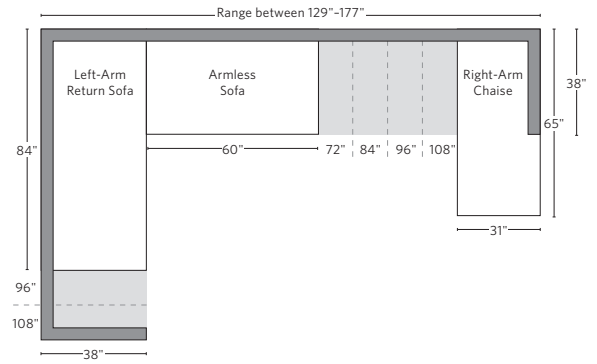
L-SECTIONAL

Available in left and right-arm configurations.

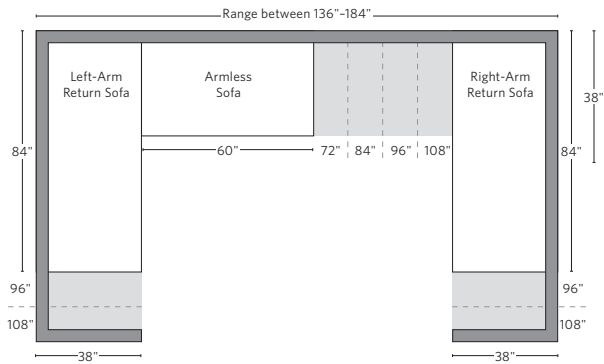


U-SOFA CHAISE SECTIONAL

Available in left and right-arm configurations.



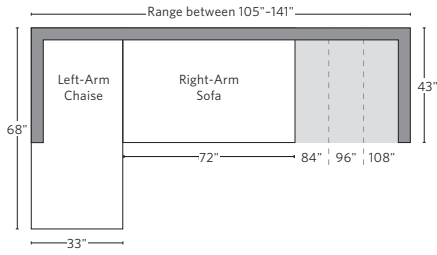
U-SOFA SECTIONAL



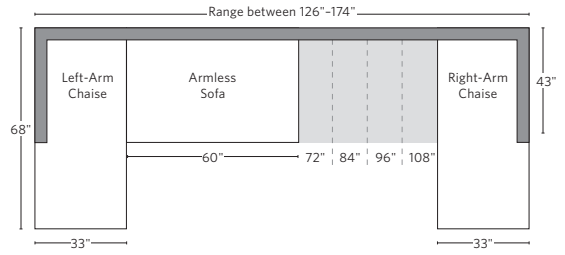
Multiple length options available.

SOFA CHAISE SECTIONAL

Available in left and right-arm configurations.

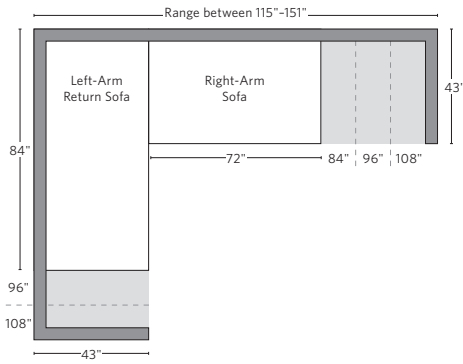


U-CHAISE SECTIONAL



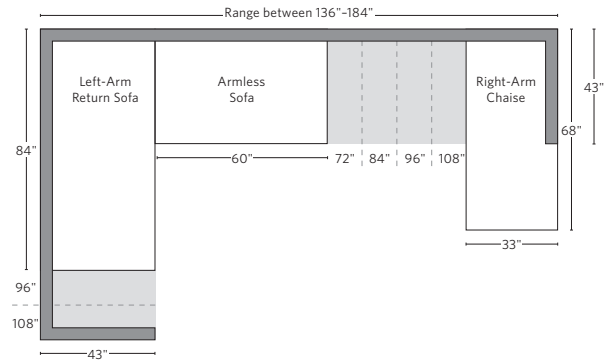
L-SECTIONAL

Available in left and right-arm configurations.

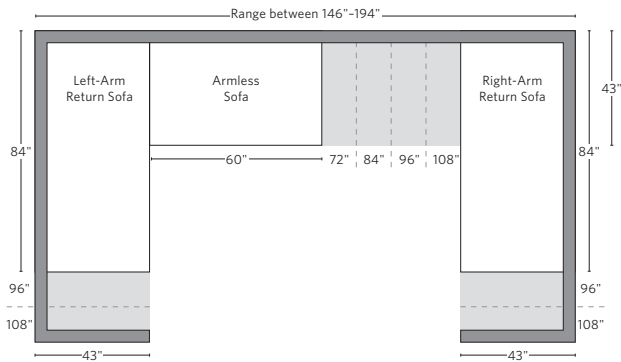


U-SOFA CHAISE SECTIONAL

Available in left and right-arm configurations.



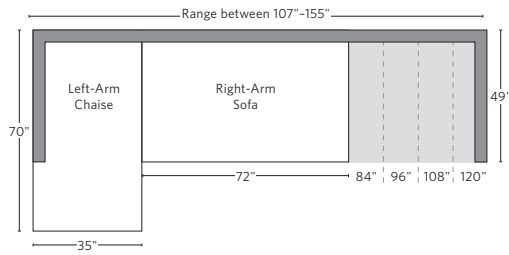
U-SOFA SECTIONAL



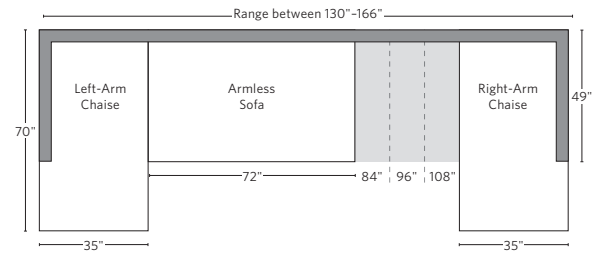
Multiple length options available.

SOFA CHAISE SECTIONAL

Available in left and right-arm configurations.

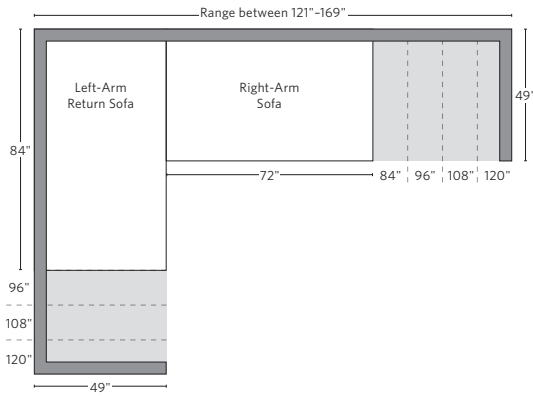


U-CHAISE SECTIONAL



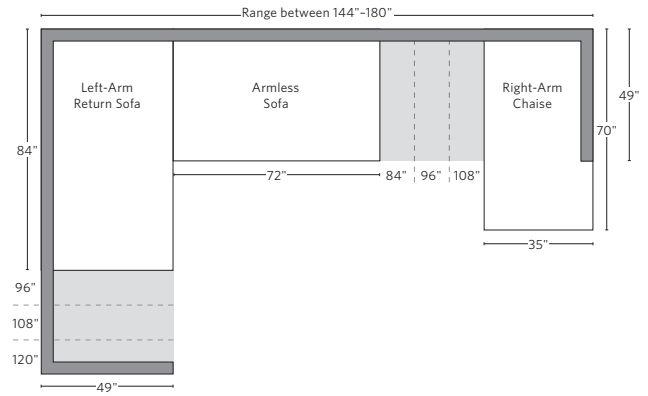
L-SECTIONAL

Available in left and right-arm configurations.

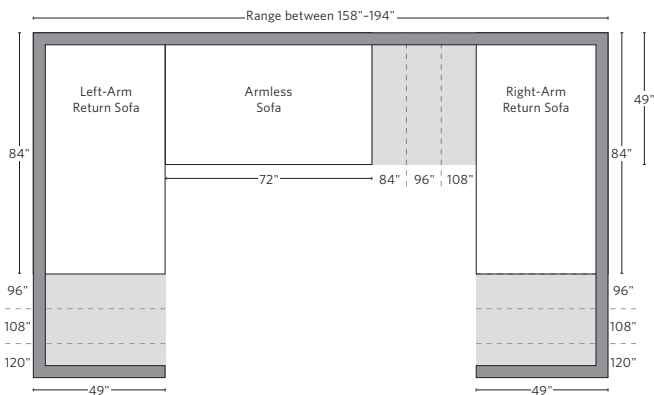


U-SOFA CHAISE SECTIONAL

Available in left and right-arm configurations.



U-SOFA SECTIONAL



Multiple length options available.