

# MODENA TRACK ARM COLLECTION



All dimensions are given in inches. See the attached "Dimensions Diagram" sheet for more information on the keys used in this chart.

	A	B	C	D	E	F	G	H	I	J	K	L		M	N				O	P	Q	R	S
	OVERALL WIDTH	OVERALL DEPTH	OVERALL HEIGHT	FRAME HEIGHT	SEAT HEIGHT	ARM HEIGHT	FOOT HEIGHT	SEAT HEIGHT (FLOOR TO CUSHION SEAM)	SEAT HEIGHT (FLOOR TO FRAME)	INSIDE SEAT WIDTH	INSIDE SEAT DEPTH W/ BACK CUSHION	INSIDE SEAT DEPTH W/O BACK CUSHION	INSIDE BACK HEIGHT W/ SEAT & BACK CUSHIONS	INSIDE BACK HEIGHT W/ SEAT CUSHION	INSIDE BACK HEIGHT W/O SEAT OR BACK CUSHION	# OF BACK CUSHIONS	# OF SEAT CUSHIONS	ACCENT PILLOWS	ARM HEIGHT W/ SEAT CUSHION	ARM HEIGHT W/O SEAT CUSHION	ARM WIDTH	SLEEPER DEPTH OVERALL	SLEEPER DEPTH INSIDE
6' LOW PETITE SOFA*	72	37	29	27½	16	20½	1¼	14½	9	58	21¼	28¾	13	11½	18½	2	2	0	4½	11½	7	-	-
6' STANDARD PETITE SOFA*	72	37	30	28½	17½	21½	2	16	10	58	21¼	28¾	11½	11	20	2	2	0	4	11½	7	-	-
6' LOW CLASSIC SOFA*	72	41	30	28½	16	20½	1¼	14½	9	57	23½	31¼	14	12½	19½	2	2	0	4½	11½	7½	-	-
6' STANDARD CLASSIC SOFA*	72	41	31	29½	17½	21½	2	16	10	57	23½	31¼	12½	12	19½	2	2	0	5½	12½	7½	-	-
84" QUEEN SLEEPER SOFA	84	40	36	34	20	23	1¼	17	12	69	23	31	16	14	17	2	1	0	3	11½	7½	85	80
7' LOW PETITE SOFA*	84	37	29	27½	16	20½	1¼	14½	9	70	21¼	28¾	13	11½	18½	2	2	0	4½	11½	7	-	-
7' STANDARD PETITE SOFA*	84	37	30	28½	17½	21½	2	16	10	70	21¼	28¾	11½	11	20	2	2	0	5½	12½	7	-	-
7' LOW CLASSIC SOFA*	84	41	30	28½	16	20½	1¼	14½	9	69	23½	31¼	14	12½	19½	2	2	0	4½	11½	7½	-	-
7' STANDARD CLASSIC SOFA*	84	41	31	29½	17½	21½	2	16	10	69	23½	31¼	12½	12	19½	2	2	0	5½	12½	7½	-	-
7' LOW LUXE SOFA*	84	45	30	28½	16	20½	1¼	14½	9	69	27½	35¼	14	12½	19½	2	2	0	4½	11½	7½	-	-
7' STANDARD LUXE SOFA*	84	45	31	29½	17½	21½	2	16	10	69	27½	35¼	12½	12	19½	2	2	0	5½	12½	7½	-	-
96" KING SLEEPER SOFA	96	40	36	34	20	23	1¼	17	12	81	23	31	16	14	17	2	1	0	3	11½	7½	85	80
8' LOW PETITE SOFA*	96	37	29	27½	16	20½	1¼	14½	9	82	21¼	28¾	13	11½	18½	2	2	0	4½	11½	7	-	-
8' STANDARD PETITE SOFA*	96	37	30	28½	17½	21½	2	16	10	82	21¼	28¾	11½	11	20	2	2	0	4	11½	7	-	-

\* FABRIC SOFAS ALSO AVAILABLE WITH 2 BACK CUSHIONS AND 1 SEAT CUSHION

# MODENA TRACK ARM COLLECTION



All dimensions are given in inches. See the attached "Dimensions Diagram" sheet for more information on the keys used in this chart.

	A	B	C	D	E	F	G	H	I	J	K	L		M	N				O	P	Q	R	S
	OVERALL WIDTH	OVERALL DEPTH	OVERALL HEIGHT	FRAME HEIGHT	SEAT HEIGHT	ARM HEIGHT	FOOT HEIGHT	SEAT HEIGHT (FLOOR TO CUSHION SEAM)	SEAT HEIGHT (FLOOR TO FRAME)	INSIDE SEAT WIDTH	INSIDE SEAT DEPTH W/ BACK CUSHION	INSIDE SEAT DEPTH W/O BACK CUSHION	INSIDE BACK HEIGHT W/ SEAT & BACK CUSHIONS	INSIDE BACK HEIGHT W/ SEAT CUSHION	INSIDE BACK HEIGHT W/O SEAT OR BACK CUSHION	# OF BACK CUSHIONS	# OF SEAT CUSHIONS	ACCENT PILLOWS	ARM HEIGHT W/ SEAT CUSHION	ARM HEIGHT W/O SEAT CUSHION	ARM WIDTH	SLEEPER DEPTH OVERALL	SLEEPER DEPTH INSIDE
8' LOW CLASSIC SOFA*	96	41	30	28½	16	20½	1¼	14½	9	81	23½	31¾	14	12½	19½	2	2	0	4½	11½	7½	-	-
8' STANDARD CLASSIC SOFA*	96	41	31	29½	17½	21½	2	16	10	81	23½	31¾	12½	12	19½	2	2	0	4	11½	7½	-	-
8' LOW LUXE SOFA*	96	45	30	28½	16	20½	1¼	14½	9	81	27½	35¾	14	12½	19½	2	2	0	4½	11½	7½	-	-
8' STANDARD LUXE SOFA*	96	45	31	29½	17½	21½	2	16	10	81	27½	35¾	12½	12	19½	2	2	0	4	11½	7½	-	-
9' LOW PETITE SOFA*	108	37	29	27½	16	20½	1¼	14½	9	94	21¾	28¾	13	11½	18½	2	2	0	4½	11½	7	-	-
9' STANDARD PETITE SOFA*	108	37	30	28½	17½	21½	2	16	10	94	21¾	28¾	11½	11	20	2	2	0	4	11½	7	-	-
9' LOW CLASSIC SOFA*	108	41	30	28½	16	20½	1¼	14½	9	93	23½	31¾	14	12½	19½	2	2	0	4½	11½	7½	-	-
9' STANDARD CLASSIC SOFA*	108	41	31	29½	17½	21½	2	16	10	93	23½	31¾	12½	12	19½	2	2	0	4	11½	7½	-	-
9' LOW LUXE SOFA*	108	45	30	28½	16	20½	1¼	14½	9	93	27½	35¾	14	12½	19½	2	2	0	4½	11½	7½	-	-
9' STANDARD LUXE SOFA*	108	45	31	29½	17½	21½	2	16	10	93	27½	35¾	12½	12	19½	2	2	0	4	11½	7½	-	-
108" KING SLEEPER SOFA	108	40	36	34	20	23	1¼	17	12	93	23	31	16	14	17	2	1	0	3	11½	7½	85	80
10' LOW CLASSIC SOFA*	120	41	30	28½	16	20½	1¼	14½	9	105	23½	31¾	14	12½	19½	2	2	0	4½	11½	7½	-	-
10' STANDARD CLASSIC SOFA*	120	41	31	29½	17½	21½	2	16	10	105	23½	31¾	12½	12	19½	2	2	0	4	11½	7½	-	-
10' LOW LUXE SOFA*	120	45	30	28½	16	20½	1¼	14½	9	105	27½	35¾	14	12½	19½	2	2	0	4½	11½	7½	-	-

\* FABRIC SOFAS ALSO AVAILABLE WITH 2 BACK CUSHIONS AND 1 SEAT CUSHION

# MODENA TRACK ARM COLLECTION



All dimensions are given in inches. See the attached "Dimensions Diagram" sheet for more information on the keys used in this chart.

	A	B	C	D	E	F	G	H	I	J	K	L		M	N				O	P	Q	R	S
	OVERALL WIDTH	OVERALL DEPTH	OVERALL HEIGHT	FRAME HEIGHT	SEAT HEIGHT	ARM HEIGHT	FOOT HEIGHT	SEAT HEIGHT (FLOOR TO CUSHION SEAM)	SEAT HEIGHT (FLOOR TO FRAME)	INSIDE SEAT WIDTH	INSIDE SEAT DEPTH W/ BACK CUSHION	INSIDE SEAT DEPTH W/O BACK CUSHION	INSIDE BACK HEIGHT W/ SEAT & BACK CUSHIONS	INSIDE BACK HEIGHT W/ SEAT CUSHION	INSIDE BACK HEIGHT W/O SEAT OR BACK CUSHION	# OF BACK CUSHIONS	# OF SEAT CUSHIONS	ACCENT PILLOWS	ARM HEIGHT W/ SEAT CUSHION	ARM HEIGHT W/O SEAT CUSHION	ARM WIDTH	SLEEPER DEPTH OVERALL	SLEEPER DEPTH INSIDE
10' STANDARD LUXE SOFA*	120	45	31	29½	17½	21½	2	16	10	105	27½	35¾	12½	12	19½	2	2	0	4	11½	7½	-	-
LOW PETITE CHAIR	40	37	29	27½	16	20½	1¾	14½	9	26	21¾	28¾	13	11½	18½	1	1	0	4½	11½	7	-	-
STANDARD PETITE CHAIR	40	37	30	28½	17½	21½	2	16	10	26	21¾	28¾	11½	11	20	1	1	0	4	11½	7	-	-
LOW CLASSIC CHAIR	44	41	30	28½	16	20½	1¾	14½	9	29	23½	31¾	14	12½	19½	1	1	0	4½	11½	7½	-	-
STANDARD CLASSIC CHAIR	44	41	31	29½	17½	21½	2	16	10	29	23½	31¾	12½	12	19½	1	1	0	4	11½	7½	-	-
LOW LUXE CHAIR	46	45	30	28½	16	20½	1¾	14½	9	31	27½	35¾	14	12½	19½	1	1	0	4½	11½	7½	-	-
STANDARD LUXE CHAIR	46	45	31	29½	17½	21½	2	16	10	31	27½	35¾	12½	12	19½	1	1	0	4	11½	7½	-	-
LOW CHAISE	46	72	30	28½	16	20½	1¾	14½	9	31	54¾	62¾	14	12½	19½	1	1	0	4½	11½	7½	-	-
STANDARD CHAISE	46	72	31	29½	17½	21½	2	16	10	31	54¾	62¾	12½	12	19½	1	1	0	4	11½	7½	-	-
SMALL LOW BENCH	57	28	20½	20½	16	20½	1¾	14½	9	46	-	-	-	-	-	-	1	-	4½	11½	5½	-	-
SMALL STANDARD BENCH	57	28	21½	21½	17½	21½	2	16	10	46	-	-	-	-	-	-	1	-	4	11½	5½	-	-
LARGE LOW BENCH	92	39½	20½	20½	16	20½	1¾	14½	9	77	-	-	-	-	-	-	1	-	4½	11½	7½	-	-
LARGE STANDARD BENCH	92	39½	21½	21½	17½	21½	2	16	10	77	-	-	-	-	-	-	1	-	4	11½	7½	-	-
QUEEN LOW END-OF-BED BENCH	54	20	19½	19½	16	19½	1¾	14½	9	43	-	-	-	-	-	-	1	-	3½	10½	5½	-	-

\* FABRIC SOFAS ALSO AVAILABLE WITH 2 BACK CUSHIONS AND 1 SEAT CUSHION

# MODENA TRACK ARM COLLECTION



All dimensions are given in inches. See the attached "Dimensions Diagram" sheet for more information on the keys used in this chart.

	OVERALL WIDTH A	OVERALL DEPTH B	OVERALL HEIGHT C	FRAME HEIGHT D	SEAT HEIGHT E	ARM HEIGHT F	FOOT HEIGHT G	SEAT HEIGHT (FLOOR TO CUSHION SEAM) H	SEAT HEIGHT (FLOOR TO FRAME) I	INSIDE SEAT WIDTH J	INSIDE SEAT DEPTH W/ BACK CUSHION K	INSIDE SEAT DEPTH W/O BACK CUSHION L	INSIDE BACK HEIGHT W/ SEAT & BACK CUSHIONS M	INSIDE BACK HEIGHT W/ SEAT CUSHION N	# OF BACK CUSHIONS	# OF SEAT CUSHIONS	ACCENT PILLOWS	ARM HEIGHT W/ SEAT CUSHION O	ARM HEIGHT W/O SEAT CUSHION P	ARM WIDTH Q	SLEEPER DEPTH OVERALL R	SLEEPER DEPTH INSIDE S
QUEEN STANDARD END-OF-BED BENCH	54	20	20½	20½	17½	20½	2	16	10	43	-	-	-	-	-	1	-	3	3	5½	-	-
KING LOW END-OF-BED BENCH	64	20	19½	19½	16	19½	1¼	14½	9	53	-	-	-	-	-	1	-	3½	10½	5½	-	-
KING STANDARD END-OF-BED BENCH	64	20	20½	20½	17½	20½	2	16	10	53	-	-	-	-	-	1	-	3	10½	5½	-	-
LOW PETTIE OTTOMAN	30	26	16	16	16	-	1¼	14½	9	30	-	-	-	-	-	1	-	-	-	-	-	-
STANDARD PETTIE OTTOMAN	30	26	17½	17½	17½	-	2	16	10	30	-	-	-	-	-	1	-	-	-	-	-	-
LOW LUXE OTTOMAN	34	28	16	16	16	-	1¼	14½	9	34	-	-	-	-	-	1	-	-	-	-	-	-
STANDARD LUXE OTTOMAN	34	28	17½	17½	17½	-	2	16	10	34	-	-	-	-	-	1	-	-	-	-	-	-
LOW COFFEE OTTOMAN	57	28	16	16	16	-	1¼	14½	9	57	-	-	-	-	-	1	-	-	-	-	-	-
STANDARD COFFEE OTTOMAN	57	28	17½	17½	17½	-	2	16	10	57	-	-	-	-	-	1	-	-	-	-	-	-
5' LOW PETTIE ARMLESS SOFA	60	37	29	27½	16	-	1¼	14½	9	60	21¼	28¼	13	11½	18½	2	1	0	-	-	-	-
5' STANDARD PETTIE ARMLESS SOFA	60	37	30	28½	17½	-	2	16	10	60	21¼	28¼	11½	11	20	2	1	0	-	-	-	-
5' LOW CLASSIC ARMLESS SOFA	60	41	30	28½	16	-	1¼	14½	9	60	23½	31¼	14	12½	19½	2	1	0	-	-	-	-
5' STANDARD CLASSIC ARMLESS SOFA	60	41	31	29½	17½	-	2	16	10	60	23½	31¼	12½	12	19½	2	1	0	-	-	-	-
6' LOW PETTIE ARMLESS SOFA	72	37	29	27½	16	-	1¼	14½	9	72	21¼	28¼	13	11½	18½	2	1	0	-	-	-	-

# MODENA TRACK ARM COLLECTION



All dimensions are given in inches. See the attached "Dimensions Diagram" sheet for more information on the keys used in this chart.

	A	B	C	D	E	F	G	H	I	J	K	L		M	N				O	P	Q	R	S
	OVERALL WIDTH	OVERALL DEPTH	OVERALL HEIGHT	FRAME HEIGHT	SEAT HEIGHT	ARM HEIGHT	FOOT HEIGHT	SEAT HEIGHT (FLOOR TO CUSHION SEAM)	SEAT HEIGHT (FLOOR TO FRAME)	INSIDE SEAT WIDTH	INSIDE SEAT DEPTH W/ BACK CUSHION	INSIDE SEAT DEPTH W/O BACK CUSHION	INSIDE BACK HEIGHT W/ SEAT & BACK CUSHIONS	INSIDE BACK HEIGHT W/ SEAT CUSHION	INSIDE BACK HEIGHT W/O SEAT OR BACK CUSHION	# OF BACK CUSHIONS	# OF SEAT CUSHIONS	ACCENT PILLOWS	ARM HEIGHT W/ SEAT CUSHION	ARM HEIGHT W/O SEAT CUSHION	ARM WIDTH	SLEEPER DEPTH OVERALL	SLEEPER DEPTH INSIDE
6' STANDARD PETITE ARMLESS SOFA	72	37	30	28½	17½	-	2	16	10	72	21¾	28¾	11½	11	18½	2	1	0	-	-	-	-	-
6' LOW CLASSIC ARMLESS SOFA	72	41	30	28½	16	-	1¾	14½	9	72	23½	31¾	14	12½	19½	2	1	0	-	-	-	-	-
6' STANDARD CLASSIC ARMLESS SOFA	72	41	31	29½	17½	-	2	16	10	72	23½	31¾	12½	12	19½	2	1	0	-	-	-	-	-
6' LOW LUXE ARMLESS SOFA	72	45	30	28½	16	-	1¾	14½	9	72	27½	35¾	14	12½	19½	2	1	0	-	-	-	-	-
6' STANDARD LUXE ARMLESS SOFA	72	45	31	29½	17½	-	2	16	10	72	27½	35¾	12½	12	19½	2	1	0	-	-	-	-	-
7' LOW CLASSIC ARMLESS SOFA**	84	41	30	28½	16	-	1¾	14½	9	84	23½	31¾	14	12½	19½	2	2	0	-	-	-	-	-
7' STANDARD CLASSIC ARMLESS SOFA**	84	41	31	29½	17½	-	2	16	10	84	23½	31¾	12½	12	19½	2	2	0	-	-	-	-	-
7' LOW LUXE ARMLESS SOFA**	84	45	30	28½	16	-	1¾	14½	9	84	27½	35¾	14	12½	19½	2	2	0	-	-	-	-	-
7' STANDARD LUXE ARMLESS SOFA**	84	45	31	29½	17½	-	2	16	10	84	27½	35¾	12½	12	19½	2	2	0	-	-	-	-	-
8' LOW CLASSIC ARMLESS SOFA**	96	41	30	28½	16	-	1¾	14½	9	96	23½	31¾	14	12½	19½	2	2	0	-	-	-	-	-
8' STANDARD CLASSIC ARMLESS SOFA**	96	41	31	29½	17½	-	2	16	10	96	23½	31¾	12½	12	19½	2	2	0	-	-	-	-	-
8' LOW LUXE ARMLESS SOFA**	96	45	30	28½	16	-	1¾	14½	9	96	27½	35¾	14	12½	19½	2	2	0	-	-	-	-	-
8' STANDARD LUXE ARMLESS SOFA**	96	45	31	29½	17½	-	2	16	10	96	27½	35¾	12½	12	19½	2	2	0	-	-	-	-	-
9' LOW CLASSIC ARMLESS SOFA**	108	41	30	28½	16	-	1¾	14½	9	108	23½	31¾	14	12½	19½	3	3	0	-	-	-	-	-

\*\* FABRIC SECTIONAL COMPONENTS ALSO AVAILABLE WITH 2 BACK CUSHIONS AND 1 SEAT CUSHION

# MODENA TRACK ARM COLLECTION



All dimensions are given in inches. See the attached "Dimensions Diagram" sheet for more information on the keys used in this chart.

	A	B	C	D	E	F	G	H	I	J	K	L		M	N				O	P	Q	R	S
	OVERALL WIDTH	OVERALL DEPTH	OVERALL HEIGHT	FRAME HEIGHT	SEAT HEIGHT	ARM HEIGHT	FOOT HEIGHT	SEAT HEIGHT (FLOOR TO CUSHION SEAM)	SEAT HEIGHT (FLOOR TO FRAME)	INSIDE SEAT WIDTH	INSIDE SEAT DEPTH W/ BACK CUSHION	INSIDE SEAT DEPTH W/O BACK CUSHION	INSIDE BACK HEIGHT W/ SEAT & BACK CUSHIONS	INSIDE BACK HEIGHT W/ SEAT CUSHION	INSIDE BACK HEIGHT W/O SEAT OR BACK CUSHION	# OF BACK CUSHIONS	# OF SEAT CUSHIONS	ACCENT PILLOWS	ARM HEIGHT W/ SEAT CUSHION	ARM HEIGHT W/O SEAT CUSHION	ARM WIDTH	SLEEPER DEPTH OVERALL	SLEEPER DEPTH INSIDE
9' STANDARD CLASSIC ARMLESS SOFA**	108	41	31	29½	17½	-	2	16	10	108	23½	31¾	12½	12	19½	3	3	0	-	-	-	-	-
9' LOW LUXE ARMLESS SOFA**	108	45	30	28½	16	-	1¾	14½	9	108	27½	35¾	14	12½	19½	3	3	0	-	-	-	-	-
9' STANDARD LUXE ARMLESS SOFA**	108	45	31	29½	17½	-	2	16	10	108	27½	35¾	12½	12	19½	3	3	0	-	-	-	-	-
5' LOW CLASSIC LEFT-ARM SOFA	60	41	30	28½	16	20½	1¾	14½	9	52½	23½	31¾	14	12½	19½	2	1	0	4½	11½	7½	-	-
5' STANDARD CLASSIC LEFT-ARM SOFA	60	41	31	29½	17½	21½	2	16	10	52½	23½	31¾	12½	12	19½	2	1	0	4	11½	7½	-	-
5' LOW CLASSIC RIGHT-ARM SOFA	60	41	30	28½	16	20½	1¾	14½	9	52½	23½	31¾	14	12½	19½	2	1	0	4½	11½	7½	-	-
5' STANDARD CLASSIC RIGHT-ARM SOFA	60	41	31	29½	17½	21½	2	16	10	52½	23½	31¾	12½	12	19½	2	1	0	4	11½	7½	-	-
6' LOW PETITE LEFT-ARM SOFA	72	37	29	27½	16	20½	1¾	14½	9	65	21¾	28¾	13	11½	18½	2	1	0	4½	11½	7	-	-
6' STANDARD PETITE LEFT-ARM SOFA	72	37	30	28½	17½	21½	2	16	10	65	21¾	28¾	11½	11	20	2	1	0	4	11½	7	-	-
6' LOW PETITE RIGHT-ARM SOFA	72	37	29	27½	16	20½	1¾	14½	9	65	21¾	28¾	13	11½	18½	2	1	0	4½	11½	7	-	-
6' STANDARD PETITE RIGHT-ARM SOFA	72	37	30	28½	17½	21½	2	16	10	65	21¾	28¾	11½	11	20	2	1	0	4	11½	7	-	-
6' LOW CLASSIC LEFT-ARM SOFA	72	41	30	28½	16	20½	1¾	14½	9	64½	23½	31¾	14	12½	19½	2	1	0	4½	11½	7½	-	-
6' STANDARD CLASSIC LEFT-ARM SOFA	72	41	31	29½	17½	21½	2	16	10	64½	23½	31¾	12½	12	19½	2	1	0	4	11½	7½	-	-
6' LOW CLASSIC RIGHT-ARM SOFA	72	41	30	28½	16	20½	1¾	14½	9	64½	23½	31¾	14	12½	19½	2	1	0	4½	11½	7½	-	-

\*\* FABRIC SECTIONAL COMPONENTS ALSO AVAILABLE WITH 2 BACK CUSHIONS AND 1 SEAT CUSHION

# MODENA TRACK ARM COLLECTION



All dimensions are given in inches. See the attached "Dimensions Diagram" sheet for more information on the keys used in this chart.

	A	B	C	D	E	F	G	H	I	J	K	L		M	N				O	P	Q	R	S
	OVERALL WIDTH	OVERALL DEPTH	OVERALL HEIGHT	FRAME HEIGHT	SEAT HEIGHT	ARM HEIGHT	FOOT HEIGHT	SEAT HEIGHT (FLOOR TO CUSHION SEAM)	SEAT HEIGHT (FLOOR TO FRAME)	INSIDE SEAT WIDTH	INSIDE SEAT DEPTH W/ BACK CUSHION	INSIDE SEAT DEPTH W/O BACK CUSHION	INSIDE BACK HEIGHT W/ SEAT & BACK CUSHIONS	INSIDE BACK HEIGHT W/ SEAT CUSHION	INSIDE BACK HEIGHT W/O SEAT OR BACK CUSHION	# OF BACK CUSHIONS	# OF SEAT CUSHIONS	ACCENT PILLOWS	ARM HEIGHT W/ SEAT CUSHION	ARM HEIGHT W/O SEAT CUSHION	ARM WIDTH	SLEEPER DEPTH OVERALL	SLEEPER DEPTH INSIDE
6' STANDARD CLASSIC RIGHT-ARM SOFA	72	41	31	29½	17½	21½	2	16	10	64½	23½	31¾	12½	12	19½	2	1	0	4	11½	7½	-	-
6' LOW LUXE LEFT-ARM SOFA	72	45	30	28½	16	20½	1¾	14½	9	64½	27½	35¾	14	12½	19½	2	1	0	4½	11½	7½	-	-
6' STANDARD LUXE LEFT-ARM SOFA	72	45	31	29½	17½	21½	2	16	10	64½	27½	35¾	12½	12	19½	2	1	0	4	11½	7½	-	-
6' LOW LUXE RIGHT-ARM SOFA	72	45	30	28½	16	20½	1¾	14½	9	64½	27½	35¾	14	12½	19½	2	1	0	4½	11½	7½	-	-
6' STANDARD LUXE RIGHT-ARM SOFA	72	45	31	29½	17½	21½	2	16	10	64½	27½	35¾	12½	12	19½	2	1	0	4	11½	7½	-	-
7' LOW PETITE LEFT-ARM SOFA**	84	37	29	27½	16	20½	1¾	14½	9	77	21¾	28¾	13	11½	18½	2	2	0	4½	11½	7	-	-
7' STANDARD PETITE LEFT-ARM SOFA**	84	37	30	28½	17½	21½	2	16	10	77	21¾	28¾	11½	11	20	2	2	0	4	11½	7	-	-
7' LOW PETITE RIGHT-ARM SOFA**	84	37	29	27½	16	20½	1¾	14½	9	77	21¾	28¾	13	11½	18½	2	2	0	4½	11½	7	-	-
7' STANDARD PETITE RIGHT-ARM SOFA**	84	37	30	28½	17½	21½	2	16	10	77	21¾	28¾	11½	11	20	2	2	0	4	11½	7	-	-
7' LOW CLASSIC LEFT-ARM SOFA**	84	41	30	28½	16	20½	1¾	14½	9	76½	23½	31¾	14	12½	19½	2	2	0	4½	11½	7½	-	-
7' STANDARD CLASSIC LEFT-ARM SOFA**	84	41	31	29½	17½	21½	2	16	10	76½	23½	31¾	12½	12	19½	2	2	0	4	11½	7½	-	-
7' LOW CLASSIC RIGHT-ARM SOFA**	84	41	30	28½	16	20½	1¾	14½	9	76½	23½	31¾	14	12½	19½	2	2	0	4½	11½	7½	-	-
7' STANDARD CLASSIC RIGHT-ARM SOFA**	84	41	31	29½	17½	21½	2	16	10	76½	23½	31¾	12½	12	19½	2	2	0	4	11½	7½	-	-
7' LOW LUXE LEFT-ARM SOFA**	84	45	30	28½	16	20½	1¾	14½	9	76½	27½	35¾	14	12½	19½	2	2	0	4½	11½	7½	-	-

\*\* FABRIC SECTIONAL COMPONENTS ALSO AVAILABLE WITH 2 BACK CUSHIONS AND 1 SEAT CUSHION

# MODENA TRACK ARM COLLECTION



All dimensions are given in inches. See the attached "Dimensions Diagram" sheet for more information on the keys used in this chart.

	A	B	C	D	E	F	G	H	I	J	K	L		M	N				O	P	Q	R	S
	OVERALL WIDTH	OVERALL DEPTH	OVERALL HEIGHT	FRAME HEIGHT	SEAT HEIGHT	ARM HEIGHT	FOOT HEIGHT	SEAT HEIGHT (FLOOR TO CUSHION SEAM)	SEAT HEIGHT (FLOOR TO FRAME)	INSIDE SEAT WIDTH	INSIDE SEAT DEPTH W/ BACK CUSHION	INSIDE SEAT DEPTH W/O BACK CUSHION	INSIDE BACK HEIGHT W/ SEAT & BACK CUSHIONS	INSIDE BACK HEIGHT W/ SEAT CUSHION	INSIDE BACK HEIGHT W/O SEAT OR BACK CUSHION	# OF BACK CUSHIONS	# OF SEAT CUSHIONS	ACCENT PILLOWS	ARM HEIGHT W/ SEAT CUSHION	ARM HEIGHT W/O SEAT CUSHION	ARM WIDTH	SLEEPER DEPTH OVERALL	SLEEPER DEPTH INSIDE
7' STANDARD LUXE LEFT-ARM SOFA**	84	45	31	29½	17½	21½	2	16	10	76½	27½	35¾	12½	12	19½	2	2	0	4	11½	7½	-	-
7' LOW LUXE RIGHT-ARM SOFA**	84	45	30	28½	16	20½	1¾	14½	9	76½	27½	35¾	14	12½	19½	2	2	0	4½	11½	7½	-	-
7' STANDARD LUXE RIGHT-ARM SOFA**	84	45	31	29½	17½	21½	2	16	10	76½	27½	35¾	12½	12	19½	2	2	0	4	11½	7½	-	-
8' LOW PETITE LEFT-ARM SOFA**	96	37	29	27½	16	20½	1¾	14½	9	89	21¾	28¾	13	11½	18½	2	2	0	4½	11½	7	-	-
8' STANDARD PETITE LEFT-ARM SOFA**	96	37	30	28½	17½	21½	2	16	10	89	21¾	28¾	11½	11	20	2	2	0	4	11½	7	-	-
8' LOW PETITE RIGHT-ARM SOFA**	96	37	29	27½	16	20½	1¾	14½	9	89	21¾	28¾	13	11½	18½	2	2	0	4½	11½	7	-	-
8' STANDARD PETITE RIGHT-ARM SOFA**	96	37	30	28½	17½	21½	2	16	10	89	21¾	28¾	11½	11	20	2	2	0	4	11½	7	-	-
8' LOW CLASSIC LEFT-ARM SOFA**	96	41	30	28½	16	20½	1¾	14½	9	88½	23½	31¾	14	12½	19½	2	2	0	4½	11½	7½	-	-
8' STANDARD CLASSIC LEFT-ARM SOFA**	96	41	31	29½	17½	21½	2	16	10	88½	23½	31¾	12½	12	19½	2	2	0	4	11½	7½	-	-
8' LOW CLASSIC RIGHT-ARM SOFA**	96	41	30	28½	16	20½	1¾	14½	9	88½	23½	31¾	14	12½	19½	2	2	0	4½	11½	7½	-	-
8' STANDARD CLASSIC RIGHT-ARM SOFA**	96	41	31	29½	17½	21½	2	16	10	88½	23½	31¾	12½	12	19½	2	2	0	4	11½	7½	-	-
8' LOW LUXE LEFT-ARM SOFA**	96	45	30	28½	16	20½	1¾	14½	9	88½	27½	35¾	14	12½	19½	2	2	0	4½	11½	7½	-	-
8' STANDARD LUXE LEFT-ARM SOFA**	96	45	31	29½	17½	21½	2	16	10	88½	27½	35¾	12½	12	19½	2	2	0	4	11½	7½	-	-
8' LOW LUXE RIGHT-ARM SOFA**	96	45	30	28½	16	20½	1¾	14½	9	88½	27½	35¾	14	12½	19½	2	2	0	4½	11½	7½	-	-

\*\* FABRIC SECTIONAL COMPONENTS ALSO AVAILABLE WITH 2 BACK CUSHIONS AND 1 SEAT CUSHION



# MODENA TRACK ARM COLLECTION



All dimensions are given in inches. See the attached "Dimensions Diagram" sheet for more information on the keys used in this chart.

	OVERALL WIDTH A	OVERALL DEPTH B	OVERALL HEIGHT C	FRAME HEIGHT D	SEAT HEIGHT E	ARM HEIGHT F	FOOT HEIGHT G	SEAT HEIGHT (FLOOR TO CUSHION SEAM) H	SEAT HEIGHT (FLOOR TO FRAME) I	INSIDE SEAT WIDTH J	INSIDE SEAT DEPTH W/ BACK CUSHION K	INSIDE SEAT DEPTH W/O BACK CUSHION L	INSIDE BACK HEIGHT W/ SEAT & BACK CUSHIONS M	INSIDE BACK HEIGHT W/ SEAT CUSHION N	INSIDE BACK HEIGHT W/O SEAT OR BACK CUSHION O	# OF BACK CUSHIONS P	# OF SEAT CUSHIONS Q	ACCENT PILLOWS R	ARM HEIGHT W/ SEAT CUSHION S	ARM HEIGHT W/O SEAT CUSHION T	ARM WIDTH U	SLEEPER DEPTH OVERALL V	SLEEPER DEPTH INSIDE W
8' STANDARD LUXE RIGHT-ARM SOFA**	96	45	31	29½	17½	21½	2	16	10	88½	27½	35¾	12½	12	19½	2	2	0	4	11½	7½	-	-
9' LOW CLASSIC LEFT-ARM SOFA**	108	41	30	28½	16	20½	1¾	14½	9	100½	23½	31¾	14	12½	19½	3	3	0	4½	11½	7½	-	-
9' STANDARD CLASSIC LEFT-ARM SOFA**	108	41	31	29½	17½	21½	2	16	10	100½	23½	31¾	12½	12	19½	3	3	0	4	11½	7½	-	-
9' LOW CLASSIC RIGHT-ARM SOFA**	108	41	30	28½	16	20½	1¾	14½	9	100½	23½	31¾	14	12½	19½	3	3	0	4½	11½	7½	-	-
9' STANDARD CLASSIC RIGHT-ARM SOFA**	108	41	31	29½	17½	21½	2	16	10	100½	23½	31¾	12½	12	19½	3	3	0	4	11½	7½	-	-
9' LOW LUXE LEFT-ARM SOFA**	108	45	30	28½	16	20½	1¾	14½	9	100½	27½	35¾	14	12½	19½	3	3	0	4½	11½	7½	-	-
9' STANDARD LUXE LEFT-ARM SOFA**	108	45	31	29½	17½	21½	2	16	10	100½	27½	35¾	12½	12	19½	3	3	0	4	11½	7½	-	-
9' LOW LUXE RIGHT-ARM SOFA**	108	45	30	28½	16	20½	1¾	14½	9	100½	27½	35¾	14	12½	19½	3	3	0	4½	11½	7½	-	-
9' STANDARD LUXE RIGHT-ARM SOFA**	108	45	31	29½	17½	21½	2	16	10	100½	27½	35¾	12½	12	19½	3	3	0	4	11½	7½	-	-
10' LOW CLASSIC LEFT-ARM SOFA**	120	41	30	28½	16	20½	1¾	14½	9	112½	23½	31¾	14	12½	19½	3	3	0	4½	11½	7½	-	-
10' STANDARD CLASSIC LEFT-ARM SOFA**	120	41	31	29½	17½	21½	2	16	10	112½	23½	31¾	12½	12	19½	3	3	0	4	11½	7½	-	-
10' LOW CLASSIC RIGHT-ARM SOFA**	120	41	30	28½	16	20½	1¾	14½	9	112½	23½	31¾	14	12½	19½	3	3	0	4½	11½	7½	-	-
10' STANDARD CLASSIC RIGHT-ARM SOFA**	120	41	31	29½	17½	21½	2	16	10	112½	23½	31¾	12½	12	19½	3	3	0	4	11½	7½	-	-
10' LOW LUXE LEFT-ARM SOFA**	120	45	30	28½	16	20½	1¾	14½	9	112½	27½	35¾	14	12½	19½	3	3	0	4½	11½	7½	-	-

\*\* FABRIC SECTIONAL COMPONENTS ALSO AVAILABLE WITH 2 BACK CUSHIONS AND 1 SEAT CUSHION

# MODENA TRACK ARM COLLECTION



All dimensions are given in inches. See the attached "Dimensions Diagram" sheet for more information on the keys used in this chart.

	A	B	C	D	E	F	G	H	I	J	K	L		M	N				O	P	Q	R	S
	OVERALL WIDTH	OVERALL DEPTH	OVERALL HEIGHT	FRAME HEIGHT	SEAT HEIGHT	ARM HEIGHT	FOOT HEIGHT	SEAT HEIGHT (FLOOR TO CUSHION SEAM)	SEAT HEIGHT (FLOOR TO FRAME)	INSIDE SEAT WIDTH	INSIDE SEAT DEPTH W/ BACK CUSHION	INSIDE SEAT DEPTH W/O BACK CUSHION	INSIDE BACK HEIGHT W/ SEAT & BACK CUSHIONS	INSIDE BACK HEIGHT W/ SEAT CUSHION	INSIDE BACK HEIGHT W/O SEAT OR BACK CUSHION	# OF BACK CUSHIONS	# OF SEAT CUSHIONS	ACCENT PILLOWS	ARM HEIGHT W/ SEAT CUSHION	ARM HEIGHT W/O SEAT CUSHION	ARM WIDTH	SLEEPER DEPTH OVERALL	SLEEPER DEPTH INSIDE
10' STANDARD LUXE LEFT-ARM SOFA**	120	45	31	29½	17½	21½	2	16	10	112½	27½	35¾	12½	12	19½	3	3	0	4	11½	7½	-	-
10' LOW LUXE RIGHT-ARM SOFA**	120	45	30	28½	16	20½	1¾	14½	9	112½	27½	35¾	14	12½	19½	3	3	0	4½	11½	7½	-	-
10' STANDARD LUXE RIGHT-ARM SOFA**	120	45	31	29½	17½	21½	2	16	10	112½	27½	35¾	12½	12	19½	3	3	0	4	11½	7½	-	-
7' LOW PETITE LEFT-ARM RETURN SOFA†	84	37	29	27½	16	20½	1¾	14½	9	62	21¾	28¾	13	11½	18½	3	2	0	4½	11½	7	-	-
7' STANDARD PETITE LEFT-ARM RETURN SOFA†	84	37	30	28½	17½	21½	2	16	10	62	21¾	28¾	11½	11	20	3	2	0	4	11½	7	-	-
7' LOW PETITE RIGHT-ARM RETURN SOFA†	84	37	29	27½	16	20½	1¾	14½	9	62	21¾	28¾	13	11½	18½	3	2	0	4½	11½	7	-	-
7' STANDARD PETITE RIGHT-ARM RETURN SOFA†	84	37	30	28½	17½	21½	2	16	10	62	21¾	28¾	11½	11	20	3	2	0	4	11½	7	-	-
7' LOW CLASSIC LEFT-ARM RETURN SOFA†	84	41	30	28½	16	20½	1¾	14½	9	59½	23¾	31¾	14	12½	19½	3	2	0	4½	11½	7½	-	-
7' STANDARD CLASSIC LEFT-ARM RETURN SOFA†	84	41	31	29½	17½	21½	2	16	10	59½	23¾	31¾	12½	12	19½	3	2	0	4	11½	7½	-	-
7' LOW CLASSIC RIGHT-ARM RETURN SOFA†	84	41	30	28½	16	20½	1¾	14½	9	59½	23¾	31¾	14	12½	19½	3	2	0	4½	11½	7½	-	-
7' STANDARD CLASSIC RIGHT-ARM RETURN SOFA†	84	41	31	29½	17½	21½	2	16	10	59½	23¾	31¾	12½	12	19½	3	2	0	4	11½	7½	-	-
7' LOW LUXE LEFT-ARM RETURN SOFA†	84	45	30	28½	16	20½	1¾	14½	9	59½	27½	35¾	14	12½	19½	3	2	0	4½	11½	7½	-	-
7' STANDARD LUXE LEFT-ARM RETURN SOFA†	84	45	31	29½	17½	21½	2	16	10	59½	27½	35¾	12½	12	19½	3	2	0	4	11½	7½	-	-
7' LOW LUXE RIGHT-ARM RETURN SOFA†	84	45	30	28½	16	20½	1¾	14½	9	59½	27½	35¾	14	12½	19½	3	2	0	4½	11½	7½	-	-

\*\* FABRIC SECTIONAL COMPONENTS ALSO AVAILABLE WITH 2 BACK CUSHIONS AND 1 SEAT CUSHION

† FABRIC SECTIONAL COMPONENTS ALSO AVAILABLE WITH 3 BACK CUSHIONS AND 1 SEAT CUSHION

# MODENA TRACK ARM COLLECTION



All dimensions are given in inches. See the attached "Dimensions Diagram" sheet for more information on the keys used in this chart.

	A	B	C	D	E	F	G	H	I	J	K	L		M	N				O	P	Q	R	S
	OVERALL WIDTH	OVERALL DEPTH	OVERALL HEIGHT	FRAME HEIGHT	SEAT HEIGHT	ARM HEIGHT	FOOT HEIGHT	SEAT HEIGHT (FLOOR TO CUSHION SEAM)	SEAT HEIGHT (FLOOR TO FRAME)	INSIDE SEAT WIDTH	INSIDE SEAT DEPTH W/ BACK CUSHION	INSIDE SEAT DEPTH W/O BACK CUSHION	INSIDE BACK HEIGHT W/ SEAT & BACK CUSHIONS	INSIDE BACK HEIGHT W/ SEAT CUSHION	INSIDE BACK HEIGHT W/O SEAT OR BACK CUSHION	# OF BACK CUSHIONS	# OF SEAT CUSHIONS	ACCENT PILLOWS	ARM HEIGHT W/ SEAT CUSHION	ARM HEIGHT W/O SEAT CUSHION	ARM WIDTH	SLEEPER DEPTH OVERALL	SLEEPER DEPTH INSIDE
7' STANDARD LUXE RIGHT-ARM RETURN SOFA†	84	45	31	29½	17½	21½	2	16	10	59½	27½	35¾	12½	12	19½	3	2	0	4	11½	7½	-	-
8' LOW PETITE LEFT-ARM RETURN SOFA†	96	37	29	27½	16	20½	1¾	14½	9	74	21¾	28¾	13	11½	18½	3	2	0	4½	11½	7	-	-
8' STANDARD PETITE LEFT-ARM RETURN SOFA†	96	37	30	28½	17½	21½	2	16	10	74	21¾	28¾	11½	11	20	3	2	0	4	11½	7	-	-
8' LOW PETITE RIGHT-ARM RETURN SOFA†	96	37	29	27½	16	20½	1¾	14½	9	74	21¾	28¾	13	11½	18½	3	2	0	4½	11½	7	-	-
8' STANDARD PETITE RIGHT-ARM RETURN SOFA†	96	37	30	28½	17½	21½	2	16	10	74	21¾	28¾	11½	11	20	3	2	0	4	11½	7	-	-
8' LOW CLASSIC LEFT-ARM RETURN SOFA†	96	41	30	28½	16	20½	1¾	14½	9	71½	23¾	31¾	14	12½	19½	3	2	0	4½	11½	7½	-	-
8' STANDARD CLASSIC LEFT-ARM RETURN SOFA†	96	41	31	29½	17½	21½	2	16	10	71½	23¾	31¾	12½	12	19½	3	2	0	4	11½	7½	-	-
8' LOW CLASSIC RIGHT-ARM RETURN SOFA†	96	41	30	28½	16	20½	1¾	14½	9	71½	23¾	31¾	14	12½	19½	3	2	0	4½	11½	7½	-	-
8' STANDARD CLASSIC RIGHT-ARM RETURN SOFA†	96	41	31	29½	17½	21½	2	16	10	71½	23¾	31¾	12½	12	19½	3	2	0	4	11½	7½	-	-
8' LOW LUXE LEFT-ARM RETURN SOFA†	96	45	30	28½	16	20½	1¾	14½	9	71½	27¾	35¾	14	12½	19½	3	2	0	4½	11½	7½	-	-
8' STANDARD LUXE LEFT-ARM RETURN SOFA†	96	45	31	29½	17½	21½	2	16	10	71½	27¾	35¾	12½	12	19½	3	2	0	4	11½	7½	-	-
8' LOW LUXE RIGHT-ARM RETURN SOFA	96	45	30	28½	16	20½	1¾	14½	9	71½	27¾	35¾	14	12½	19½	3	2	0	4½	11½	7½	-	-
8' STANDARD LUXE RIGHT-ARM RETURN SOFA	96	45	31	29½	17½	21½	2	16	10	71½	27¾	35¾	12½	12	19½	3	2	0	4	11½	7½	-	-
9' LOW CLASSIC LEFT-ARM RETURN SOFA†	108	41	30	28½	16	20½	1¾	14½	9	83½	23¾	31¾	14	12½	19½	4	3	0	4½	11½	7½	-	-

† FABRIC SECTIONAL COMPONENTS ALSO AVAILABLE WITH 3 BACK CUSHIONS AND 1 SEAT CUSHION

# MODENA TRACK ARM COLLECTION



All dimensions are given in inches. See the attached "Dimensions Diagram" sheet for more information on the keys used in this chart.

	OVERALL WIDTH A	OVERALL DEPTH B	OVERALL HEIGHT C	FRAME HEIGHT D	SEAT HEIGHT E	ARM HEIGHT F	FOOT HEIGHT G	SEAT HEIGHT (FLOOR TO CUSHION SEAM) H	SEAT HEIGHT (FLOOR TO FRAME) I	INSIDE SEAT WIDTH J	INSIDE SEAT DEPTH W/ BACK CUSHION K	INSIDE SEAT DEPTH W/O BACK CUSHION L	INSIDE BACK HEIGHT W/ SEAT & BACK CUSHIONS M	INSIDE BACK HEIGHT W/ SEAT CUSHION N	INSIDE BACK HEIGHT W/O SEAT OR BACK CUSHION O	# OF BACK CUSHIONS	# OF SEAT CUSHIONS	ACCENT PILLOWS	ARM HEIGHT W/ SEAT CUSHION P	ARM HEIGHT W/O SEAT CUSHION Q	ARM WIDTH R	SLEEPER DEPTH OVERALL S	SLEEPER DEPTH INSIDE
9' STANDARD CLASSIC LEFT-ARM RETURN SOFA†	108	41	31	29½	17½	21½	2	16	10	83½	23½	31¾	12½	12	19½	4	3	0	4	11½	7½	-	-
9' LOW CLASSIC RIGHT-ARM RETURN SOFA†	108	41	30	28½	16	20½	1¾	14½	9	83½	23½	31¾	14	12½	19½	4	3	0	4½	11½	7½	-	-
9' STANDARD CLASSIC RIGHT-ARM RETURN SOFA†	108	41	31	29½	17½	21½	2	16	10	83½	23½	31¾	12½	12	19½	4	3	0	4	11½	7½	-	-
9' LOW LUXE LEFT-ARM RETURN SOFA†	108	45	30	28½	16	20½	1¾	14½	9	83½	27½	35¾	14	12½	19½	4	3	0	4½	11½	7½	-	-
9' STANDARD LUXE LEFT-ARM RETURN SOFA†	108	45	31	29½	17½	21½	2	16	10	83½	27½	35¾	12½	12	19½	4	3	0	4	11½	7½	-	-
9' LOW LUXE RIGHT-ARM RETURN SOFA†	108	45	30	28½	16	20½	1¾	14½	9	83½	27½	35¾	14	12½	19½	4	3	0	4½	11½	7½	-	-
9' STANDARD LUXE RIGHT-ARM RETURN SOFA†	108	45	31	29½	17½	21½	2	16	10	83½	27½	35¾	12½	12	19½	4	3	0	4	11½	7½	-	-
10' LOW CLASSIC LEFT-ARM RETURN SOFA†	120	41	30	28½	16	20½	1¾	14½	9	95½	23½	31¾	14	12½	19½	4	3	0	4½	11½	7½	-	-
10' STANDARD CLASSIC LEFT-ARM RETURN SOFA†	120	41	31	29½	17½	21½	2	16	10	95½	23½	31¾	12½	12	19½	4	3	0	4	11½	7½	-	-
10' LOW CLASSIC RIGHT-ARM RETURN SOFA†	120	41	30	28½	16	20½	1¾	14½	9	95½	23½	31¾	14	12½	19½	4	3	0	4½	11½	7½	-	-
10' STANDARD CLASSIC RIGHT-ARM RETURN SOFA†	120	41	31	29½	17½	21½	2	16	10	95½	23½	31¾	12½	12	19½	4	3	0	4	11½	7½	-	-
10' LOW LUXE LEFT-ARM RETURN SOFA†	120	45	30	28½	16	20½	1¾	14½	9	95½	27½	35¾	14	12½	19½	4	3	0	4½	11½	7½	-	-
10' STANDARD LUXE LEFT-ARM RETURN SOFA†	120	45	31	29½	17½	21½	2	16	10	95½	27½	35¾	12½	12	19½	4	3	0	4	11½	7½	-	-
10' LOW LUXE RIGHT-ARM RETURN SOFA	120	45	30	28½	16	20½	1¾	14½	9	95½	27½	35¾	14	12½	19½	4	3	0	4½	11½	7½	-	-

† FABRIC SECTIONAL COMPONENTS ALSO AVAILABLE WITH 3 BACK CUSHIONS AND 1 SEAT CUSHION

# MODENA TRACK ARM COLLECTION



All dimensions are given in inches. See the attached "Dimensions Diagram" sheet for more information on the keys used in this chart.

	A	B	C	D	E	F	G	H	I	J	K	L		M	N				O	P	Q	R	S
	OVERALL WIDTH	OVERALL DEPTH	OVERALL HEIGHT	FRAME HEIGHT	SEAT HEIGHT	ARM HEIGHT	FOOT HEIGHT	SEAT HEIGHT (FLOOR TO CUSHION SEAM)	SEAT HEIGHT (FLOOR TO FRAME)	INSIDE SEAT WIDTH	INSIDE SEAT DEPTH W/ BACK CUSHION	INSIDE SEAT DEPTH W/O BACK CUSHION	INSIDE BACK HEIGHT W/ SEAT & BACK CUSHIONS	INSIDE BACK HEIGHT W/ SEAT CUSHION	INSIDE BACK HEIGHT W/O SEAT OR BACK CUSHION	# OF BACK CUSHIONS	# OF SEAT CUSHIONS	ACCENT PILLOWS	ARM HEIGHT W/ SEAT CUSHION	ARM HEIGHT W/O SEAT CUSHION	ARM WIDTH	SLEEPER DEPTH OVERALL	SLEEPER DEPTH INSIDE
10' STANDARD LUXE RIGHT-ARM RETURN SOFA	120	45	31	29½	17½	21½	2	16	10	95½	27½	35¾	12½	12	19½	4	3	0	4	11½	7½	-	-
LOW PETTTE LEFT-ARM CHAISE	37	64	29	27½	16	20½	1¾	14½	9	30	48¾	55¾	13	11½	18½	1	1	0	4½	11½	7	-	-
STANDARD PETTTE LEFT-ARM CHAISE	37	64	30	28½	17½	21½	2	16	10	30	48¾	55¾	11½	11	20	1	1	0	4	11½	7	-	-
LOW PETTTE RIGHT-ARM CHAISE	37	64	29	27½	16	20½	1¾	14½	9	30	48¾	55¾	13	11½	18½	1	1	0	4½	11½	7	-	-
STANDARD PETTTE RIGHT-ARM CHAISE	37	64	30	28½	17½	21½	2	16	10	30	48¾	55¾	11½	11	20	1	1	0	4	11½	7	-	-
LOW CLASSIC LEFT-ARM CHAISE	42	68	30	28½	16	20½	1¾	14½	9	34½	50¾	58¾	14	12½	19½	1	1	0	4½	11½	7½	-	-
STANDARD CLASSIC LEFT-ARM CHAISE	42	68	31	29½	17½	21½	2	16	10	34½	50¾	58¾	12½	12	19½	1	1	0	4	11½	7½	-	-
LOW CLASSIC RIGHT-ARM CHAISE	42	68	30	28½	16	20½	1¾	14½	9	34½	50¾	58¾	14	12½	19½	1	1	0	4½	11½	7½	-	-
STANDARD CLASSIC RIGHT-ARM CHAISE	42	68	31	29½	17½	21½	2	16	10	34½	50¾	58¾	12½	12	19½	1	1	0	4	11½	7½	-	-
LOW LUXE LEFT-ARM CHAISE	44	72	30	28½	16	20½	1¾	14½	9	36½	54¾	62¾	14	12½	19½	1	1	0	4½	11½	7½	-	-
STANDARD LUXE LEFT-ARM CHAISE	44	72	31	29½	17½	21½	2	16	10	36½	54¾	62¾	12½	12	19½	1	1	0	4	11½	7½	-	-
LOW LUXE RIGHT-ARM CHAISE	44	72	30	28½	16	20½	1¾	14½	9	36½	54¾	62¾	14	12½	19½	1	1	0	4½	11½	7½	-	-
STANDARD LUXE RIGHT-ARM CHAISE	44	72	31	29½	17½	21½	2	16	10	36½	54¾	62¾	12½	12	19½	1	1	0	4	11½	7½	-	-
LOW PETTTE END-OF-SECTIONAL OTTOMAN	37	37	16	16	16	-	1¾	16	9	37	-	-	-	-	-	-	1	-	-	-	-	-	-

# MODENA TRACK ARM COLLECTION



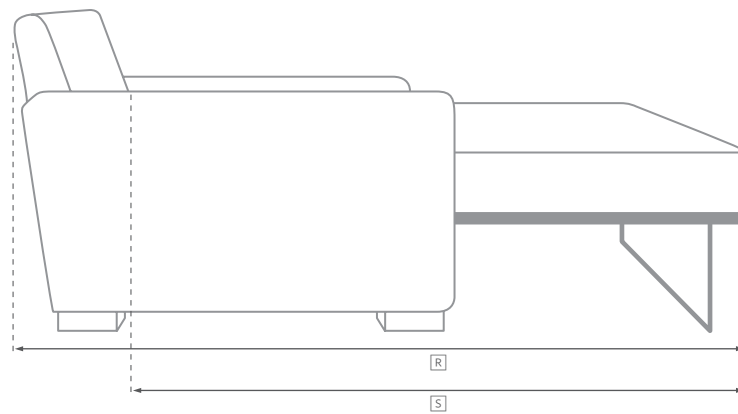
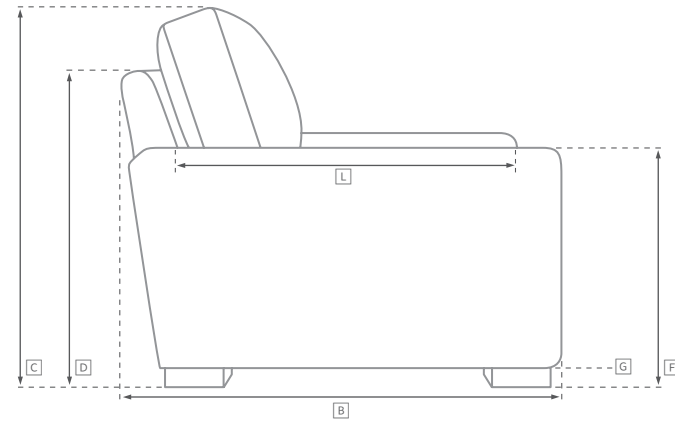
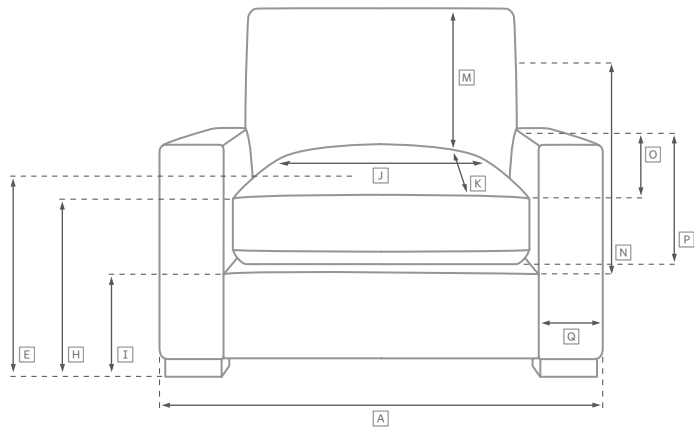
All dimensions are given in inches. See the attached "Dimensions Diagram" sheet for more information on the keys used in this chart.

	A	B	C	D	E	F	G	H	I	J	K	L		M	N				O	P	Q	R	S
	OVERALL WIDTH	OVERALL DEPTH	OVERALL HEIGHT	FRAME HEIGHT	SEAT HEIGHT	ARM HEIGHT	FOOT HEIGHT	SEAT HEIGHT (FLOOR TO CUSHION SEAM)	SEAT HEIGHT (FLOOR TO FRAME)	INSIDE SEAT WIDTH	INSIDE SEAT DEPTH W/ BACK CUSHION	INSIDE SEAT DEPTH W/O BACK CUSHION	INSIDE BACK HEIGHT W/ SEAT & BACK CUSHIONS	INSIDE BACK HEIGHT W/ SEAT CUSHION	INSIDE BACK HEIGHT W/O SEAT OR BACK CUSHION	# OF BACK CUSHIONS	# OF SEAT CUSHIONS	ACCENT PILLOWS	ARM HEIGHT W/ SEAT CUSHION	ARM HEIGHT W/O SEAT CUSHION	ARM WIDTH	SLEEPER DEPTH OVERALL	SLEEPER DEPTH INSIDE
STANDARD PETITE END-OF-SECTIONAL OTTOMAN	37	37	17½	17½	17½	-	2	17½	10	37	-	-	-	-	-	-	1	-	-	-	-	-	-
LOW CLASSIC END-OF-SECTIONAL OTTOMAN	41	41	16	16	16	-	1¾	16	9	41	-	-	-	-	-	-	1	-	-	-	-	-	-
STANDARD CLASSIC END-OF-SECTIONAL OTTOMAN	41	41	17½	17½	17½	-	2	17½	10	41	-	-	-	-	-	-	1	-	-	-	-	-	-
LOW LUXE END-OF-SECTIONAL OTTOMAN	45	45	16	16	16	-	1¾	16	9	45	-	-	-	-	-	-	1	-	-	-	-	-	-
STANDARD LUXE END-OF-SECTIONAL OTTOMAN	45	45	17½	17½	17½	-	2	17½	10	45	-	-	-	-	-	-	1	-	-	-	-	-	-
STORAGE OTTOMAN	57	28	16	16	16	-	1¾	15½	8	57	-	-	-	-	-	-	1	-	-	-	-	-	-

# UPHOLSTERY DIMENSIONS DIAGRAM

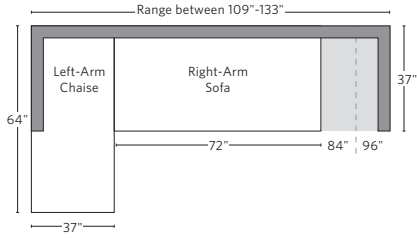
See the "Dimensions Sheet" for the measurements that correspond with the letters below.

RH

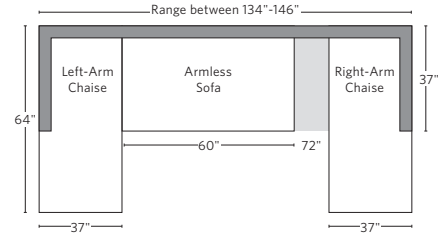


**SOFA CHAISE SECTIONAL**

Available in left and right-arm configurations.

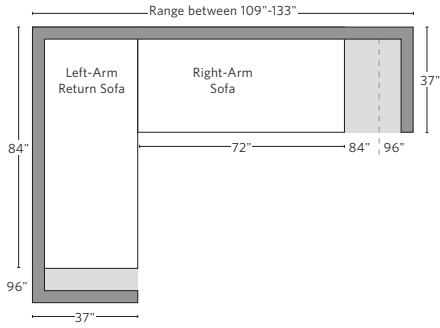


**U-CHAISE SECTIONAL**



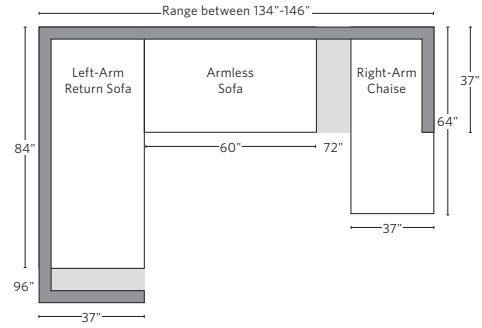
**L-SECTIONAL**

Available in left and right-arm configurations.

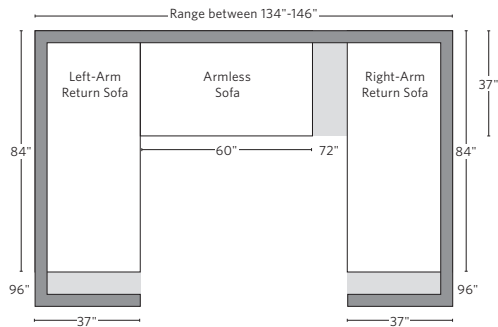


**U-SOFA CHAISE SECTIONAL**

Available in left and right-arm configurations.



**U-SOFA SECTIONAL**

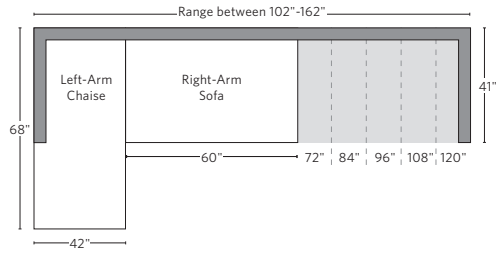


Multiple length options available.

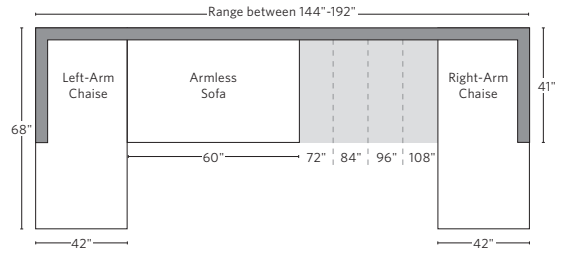


SOFA CHAISE SECTIONAL

Available in left and right-arm configurations.

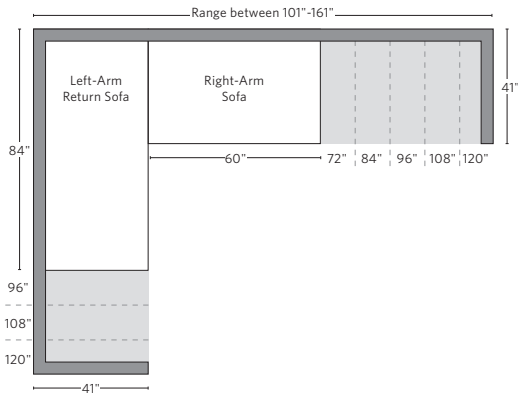


U-CHAISE SECTIONAL



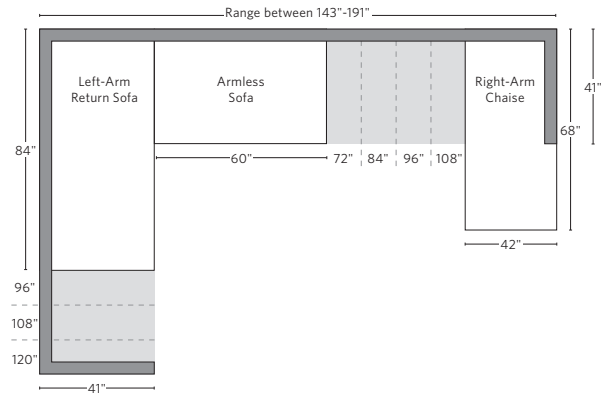
L-SECTIONAL

Available in left and right-arm configurations.

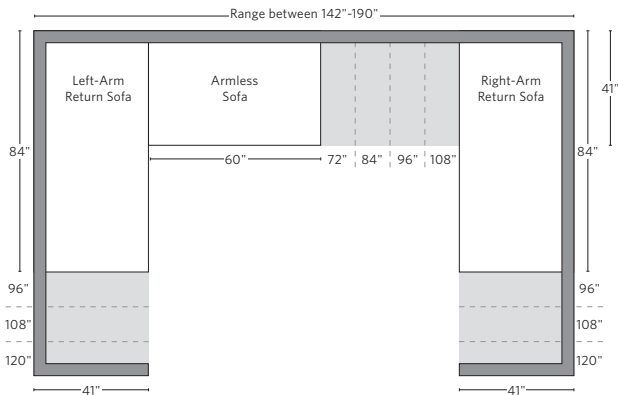


U-SOFA CHAISE SECTIONAL

Available in left and right-arm configurations.



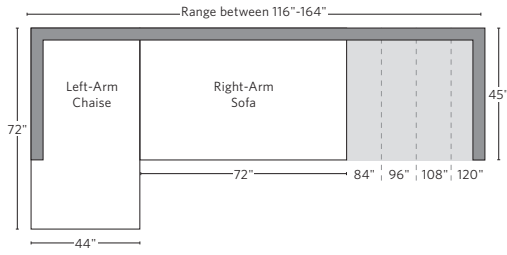
U-SOFA SECTIONAL



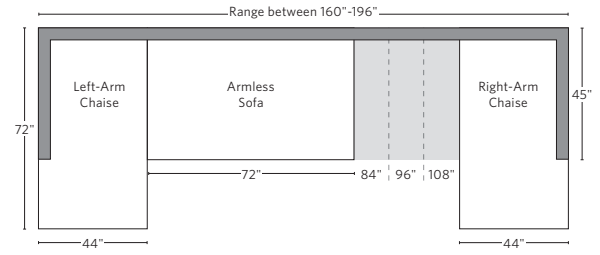
Multiple length options available.

SOFA CHAISE SECTIONAL

Available in left and right-arm configurations.

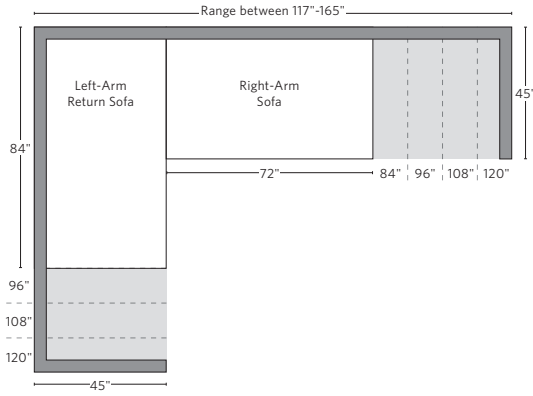


U-CHAISE SECTIONAL



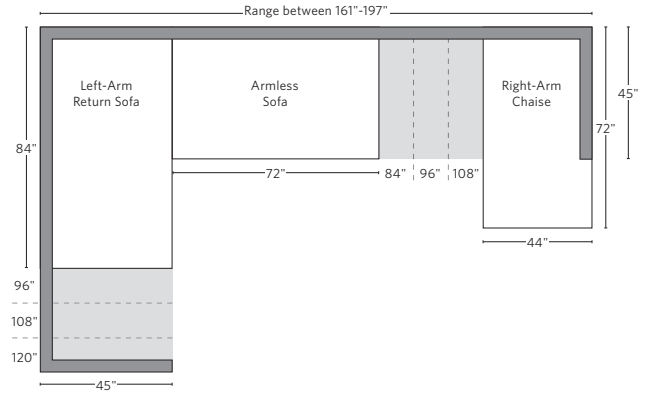
L-SECTIONAL

Available in left and right-arm configurations.

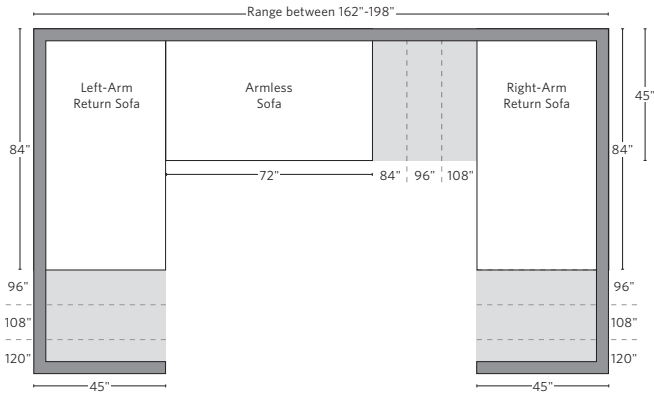


U-SOFA CHAISE SECTIONAL

Available in left and right-arm configurations.



U-SOFA SECTIONAL



Multiple length options available.

## HOW WE MEASURE

We provide overall measurements (height, width and depth) for all our furniture. Furniture is measured at the tallest, deepest and widest points of the product, including overhangs, angles, outward curves, and arms.

RH

