

MODENA CHESTERFIELD WITH TUFTED SEAT COLLECTION



All dimensions are given in inches. See the attached "Dimensions Diagram" sheet for more information on the keys used in this chart.

	OVERALL WIDTH A	OVERALL DEPTH B	OVERALL HEIGHT C	FRAME HEIGHT D	SEAT HEIGHT E	ARM HEIGHT F	FOOT HEIGHT G	SEAT HEIGHT (FLOOR TO CUSHION SEAM) H	SEAT HEIGHT (FLOOR TO FRAME) I	INSIDE SEAT WIDTH J	INSIDE SEAT DEPTH W/ TUFTED SEAT K	INSIDE SEAT DEPTH W/O BACK CUSHION L	INSIDE BACK HEIGHT W/ SEAT & BACK CUSHIONS M	INSIDE BACK HEIGHT W/ SEAT CUSHION N	# OF BACK CUSHIONS	ACCENT PILLOWS	ARM HEIGHT W/ SEAT CUSHION O	ARM HEIGHT W/O SEAT CUSHION P	ARM WIDTH Q	SLEEPER DEPTH OVERALL R	SLEEPER DEPTH INSIDE S	
6' LOW PETITE SOFA	72	36½	27	27	16½	27	1½	16½	8½	56	24½	-	10½	10½	18½	-	0	10½	10½	8	-	-
6' STANDARD PETITE SOFA	72	36½	27½	27½	17½	27½	2	17½	10	56	24½	-	10	10	17½	-	0	10	10	8	-	-
6' LOW CLASSIC SOFA	72	39½	28	28	16½	28	1½	16½	8½	55	26	-	11½	11½	19½	-	0	11½	11½	8½	-	-
6' STANDARD CLASSIC SOFA	72	39½	28½	28½	17½	28½	2	17½	10	55	26	-	11	11	18½	-	0	11	11	8½	-	-
7' LOW PETITE SOFA	84	36½	27	27	16½	27	1½	16½	8½	68	24½	-	10½	10½	18½	-	0	10½	10½	8	-	-
7' STANDARD PETITE SOFA	84	36½	27½	27½	17½	27½	2	17½	10	68	24½	-	10	10	17½	-	0	10	10	8	-	-
7' LOW CLASSIC SOFA	84	39½	28	28	16½	28	1½	16½	8½	67	26	-	11½	11½	19½	-	0	11½	11½	8½	-	-
7' STANDARD CLASSIC SOFA	84	39½	28½	28½	17½	28½	2	17½	10	67	26	-	11	11	18½	-	0	11	11	8½	-	-
7' LOW LUXE SOFA	84	43½	28	28	16½	28	1½	16½	8½	67	30	-	11½	11½	19½	-	0	11½	11½	8½	-	-
7' STANDARD LUXE SOFA	84	43½	28½	28½	17½	28½	2	17½	10	67	30	-	11	11	18½	-	0	11	11	8½	-	-
8' LOW PETITE SOFA	96	36½	27	27	16½	27	1½	16½	8½	80	24½	-	10½	10½	18½	-	0	10½	10½	8	-	-
8' STANDARD PETITE SOFA	96	36½	27½	27½	17½	27½	2	17½	10	80	24½	-	10	10	17½	-	0	10	10	8	-	-
8' LOW CLASSIC SOFA	96	39½	28	28	16½	28	1½	16½	8½	79	26	-	11½	11½	19½	-	0	11½	11½	8½	-	-
8' STANDARD CLASSIC SOFA	96	39½	28½	28½	17½	28½	2	17½	10	79	26	-	11	11	18½	-	0	11	11	8½	-	-

MODENA CHESTERFIELD WITH TUFTED SEAT COLLECTION



All dimensions are given in inches. See the attached "Dimensions Diagram" sheet for more information on the keys used in this chart.

	OVERALL WIDTH A	OVERALL DEPTH B	OVERALL HEIGHT C	FRAME HEIGHT D	SEAT HEIGHT E	ARM HEIGHT F	FOOT HEIGHT G	SEAT HEIGHT (FLOOR TO CUSHION SEAM) H	SEAT HEIGHT (FLOOR TO FRAME) I	INSIDE SEAT WIDTH J	INSIDE SEAT DEPTH W/ TUFTED SEAT K	INSIDE SEAT DEPTH W/O BACK CUSHION L	INSIDE BACK HEIGHT W/ SEAT & BACK CUSHIONS M	INSIDE BACK HEIGHT W/ SEAT CUSHION N	# OF BACK CUSHIONS	ACCENT PILLOWS	ARM HEIGHT W/ SEAT CUSHION O	ARM HEIGHT W/O SEAT CUSHION P	ARM WIDTH Q	SLEEPER DEPTH OVERALL R	SLEEPER DEPTH INSIDE S	
8' LOW LUXE SOFA	96	43½	28	28	16½	28	1½	16½	8½	79	30	-	11½	11½	19½	-	0	11½	11½	8½	-	-
8' STANDARD LUXE SOFA	96	43½	28½	28½	17½	28½	2	17½	10	79	30	-	11	11	18½	-	0	11	11	8½	-	-
9' LOW PETTIE SOFA	108	36½	27	27	16½	27	1½	16½	8½	92	24½	-	10½	10½	18½	-	0	10½	10½	8	-	-
9' STANDARD PETTIE SOFA	108	36½	27½	27½	17½	27½	2	17½	10	92	24½	-	10	10	17½	-	0	10	10	8	-	-
9' LOW CLASSIC SOFA	108	39½	28	28	16½	28	1½	16½	8½	91	26	-	11½	11½	19½	-	0	11½	11½	8½	-	-
9' STANDARD CLASSIC SOFA	108	39½	28½	28½	17½	28½	2	17½	10	91	26	-	11	11	18½	-	0	11	11	8½	-	-
9' LOW LUXE SOFA	108	43½	28	28	16½	28	1½	16½	8½	91	30	-	11½	11½	19½	-	0	11½	11½	8½	-	-
9' STANDARD LUXE SOFA	108	43½	28½	28½	17½	28½	2	17½	10	91	30	-	11	11	18½	-	0	11	11	8½	-	-
10' LOW CLASSIC SOFA	120	39½	28	28	16½	28	1½	16½	8½	103	26	-	11½	11½	19½	-	0	11½	11½	8½	-	-
10' STANDARD CLASSIC SOFA	120	39½	28½	28½	17½	28½	2	17½	10	103	26	-	11	11	18½	-	0	11	11	8½	-	-
10' LOW LUXE SOFA	120	43½	28	28	16½	28	1½	16½	8½	103	30	-	11½	11½	19½	-	0	11½	11½	8½	-	-
10' STANDARD LUXE SOFA	120	43½	28½	28½	17½	28½	2	17½	10	103	30	-	11	11	18½	-	0	11	11	8½	-	-
LOW PETTIE CHAIR	45	36½	27	27	16½	27	1½	16½	8½	29	24½	-	10½	10½	18½	-	0	10½	10½	8	-	-
STANDARD PETTIE CHAIR	45	36½	27½	27½	17½	27½	2	17½	10	29	24½	-	10	10	17½	-	0	10	10	8	-	-

MODENA CHESTERFIELD WITH TUFTED SEAT COLLECTION



All dimensions are given in inches. See the attached "Dimensions Diagram" sheet for more information on the keys used in this chart.

	OVERALL WIDTH A	OVERALL DEPTH B	OVERALL HEIGHT C	FRAME HEIGHT D	SEAT HEIGHT E	ARM HEIGHT F	FOOT HEIGHT G	SEAT HEIGHT (FLOOR TO CUSHION SEAM) H	SEAT HEIGHT (FLOOR TO FRAME) I	INSIDE SEAT WIDTH J	INSIDE SEAT DEPTH W/ TUFTED SEAT K	INSIDE SEAT DEPTH W/O BACK CUSHION L	INSIDE BACK HEIGHT W/ SEAT & BACK CUSHIONS M	INSIDE BACK HEIGHT W/ SEAT CUSHION N	# OF BACK CUSHIONS	ACCENT PILLOWS	ARM HEIGHT W/ SEAT CUSHION O	ARM HEIGHT W/O SEAT CUSHION P	ARM WIDTH Q	SLEEPER DEPTH OVERALL R	SLEEPER DEPTH INSIDE S	
LOW CLASSIC CHAIR	45	39½	28	28	16½	28	1½	16½	8½	28	26	-	11½	11½	19½	-	0	11½	11½	8½	-	-
STANDARD CLASSIC CHAIR	45	39½	28½	28½	17½	28½	2	17½	10	28	26	-	11	11	18½	0	11	11	8½	-	-	
LOW LUXE CHAIR	47	43½	28	28	16½	28	1½	16½	8½	30	30	-	11½	11½	19½	-	0	11½	11½	8½	-	-
STANDARD LUXE CHAIR	47	43½	28½	28½	17½	28½	2	17½	10	30	30	-	11	11	18½	0	11	11	8½	-	-	
LOW PETITE OTTOMAN	30	26	16	16	16	-	1½	16	8½	30	26	-	-	-	-	0	-	-	-	-	-	
STANDARD PETITE/CLASSIC OTTOMAN	30	26	17½	17½	17½	-	2	17½	10	30	26	-	-	-	-	0	-	-	-	-	-	
LOW LUXE OTTOMAN	34	28	16½	16½	16½	-	1½	16½	8½	34	28	-	-	-	-	0	-	-	-	-	-	
STANDARD LUXE OTTOMAN	34	28	17½	17½	17½	-	2	17½	10	34	28	-	-	-	-	0	-	-	-	-	-	
LUXE COFFEE OTTOMAN	57	28	16½	16½	16½	-	1½	16½	8½	57	28	-	-	-	-	0	-	-	-	-	-	
STANDARD LUXE COFFEE OTTOMAN	57	28	17½	17½	17½	-	2	17½	10	57	28	-	-	-	-	0	-	-	-	-	-	
5' LOW CLASSIC ARMLESS SOFA	60	39½	28	28	16½	-	1½	16½	8½	60	26	-	11½	11½	19½	-	0	-	-	-	-	
5' STANDARD CLASSIC ARMLESS SOFA	60	39½	28½	28½	17½	-	2	17½	10	60	26	-	11	11	18½	0	-	-	-	-	-	
6' LOW CLASSIC ARMLESS SOFA	72	39½	28	28	16½	-	1½	16½	8½	72	26	-	11½	11½	19½	-	0	-	-	-	-	
6' STANDARD CLASSIC ARMLESS SOFA	72	39½	28½	28½	17½	-	2	17½	10	72	26	-	11	11	18½	-	0	-	-	-	-	

MODENA CHESTERFIELD WITH TUFTED SEAT COLLECTION



All dimensions are given in inches. See the attached "Dimensions Diagram" sheet for more information on the keys used in this chart.

	OVERALL WIDTH A	OVERALL DEPTH B	OVERALL HEIGHT C	FRAME HEIGHT D	SEAT HEIGHT E	ARM HEIGHT F	FOOT HEIGHT G	SEAT HEIGHT (FLOOR TO CUSHION SEAM) H	SEAT HEIGHT (FLOOR TO FRAME) I	INSIDE SEAT WIDTH J	INSIDE SEAT DEPTH W/ TUFTED SEAT K	INSIDE SEAT DEPTH W/O BACK CUSHION L	INSIDE BACK HEIGHT W/ SEAT & BACK CUSHIONS M	INSIDE BACK HEIGHT W/ SEAT CUSHION N	# OF BACK CUSHIONS	ACCENT PILLOWS	ARM HEIGHT W/ SEAT CUSHION O	ARM HEIGHT W/O SEAT CUSHION P	ARM WIDTH Q	SLEEPER DEPTH OVERALL R	SLEEPER DEPTH INSIDE S	
6' LOW LUXE ARMLESS SOFA	72	43½	28	28	16½	-	1½	16½	8½	72	30	-	11½	11½	19½	-	0	-	-	-	-	-
6' STANDARD LUXE ARMLESS SOFA	72	43½	28½	28½	17½	-	2	17½	10	72	30	-	11	11	18½	-	0	-	-	-	-	-
7' LOW CLASSIC ARMLESS SOFA	84	39½	28	28	16½	-	1½	16½	8½	84	26	-	11½	11½	19½	-	0	-	-	-	-	-
7' STANDARD CLASSIC ARMLESS SOFA	84	39½	28½	28½	17½	-	2	17½	10	84	26	-	11	11	18½	-	0	-	-	-	-	-
7' LOW LUXE ARMLESS SOFA	84	43½	28	28	16½	-	1½	16½	8½	84	30	-	11½	11½	19½	-	0	-	-	-	-	-
7' STANDARD LUXE ARMLESS SOFA	84	43½	28½	28½	17½	-	2	17½	10	84	30	-	11	11	18½	-	0	-	-	-	-	-
8' LOW CLASSIC ARMLESS SOFA	96	39½	28	28	16½	-	1½	16½	8½	96	26	-	11½	11½	19½	-	0	-	-	-	-	-
8' STANDARD CLASSIC ARMLESS SOFA	96	39½	28½	28½	17½	-	2	17½	10	96	26	-	11	11	18½	-	0	-	-	-	-	-
8' LOW LUXE ARMLESS SOFA	96	43½	28	28	16½	-	1½	16½	8½	96	30	-	11½	11½	19½	-	0	-	-	-	-	-
8' STANDARD LUXE ARMLESS SOFA	96	43½	28½	28½	17½	-	2	17½	10	96	30	-	11	11	18½	-	0	-	-	-	-	-
6' LOW CLASSIC LEFT-ARM SOFA	72	39½	28	28	16½	28	1½	16½	8½	63½	26	-	11½	11½	19½	-	0	11½	11½	8½	-	-
6' STANDARD CLASSIC LEFT-ARM SOFA	72	39½	28½	28½	17½	28½	2	17½	10	63½	26	-	11	11	18½	-	0	11	11	8½	-	-
6' LOW CLASSIC RIGHT-ARM SOFA	72	39½	28	28	16½	28	1½	16½	8½	63½	26	-	11½	11½	19½	-	0	11½	11½	8½	-	-
6' STANDARD CLASSIC RIGHT-ARM SOFA	72	39½	28½	28½	17½	28½	2	16	10	63½	26	-	11	11	18½	-	0	11	11	8½	-	-

MODENA CHESTERFIELD WITH TUFTED SEAT COLLECTION



All dimensions are given in inches. See the attached "Dimensions Diagram" sheet for more information on the keys used in this chart.

	OVERALL WIDTH A	OVERALL DEPTH B	OVERALL HEIGHT C	FRAME HEIGHT D	SEAT HEIGHT E	ARM HEIGHT F	FOOT HEIGHT G	SEAT HEIGHT (FLOOR TO CUSHION SEAM) H	SEAT HEIGHT (FLOOR TO FRAME) I	INSIDE SEAT WIDTH J	INSIDE SEAT DEPTH W/ TUFTED SEAT K	INSIDE SEAT DEPTH W/O BACK CUSHION L	INSIDE BACK HEIGHT W/ SEAT & BACK CUSHIONS M	INSIDE BACK HEIGHT W/ SEAT CUSHION N	# OF BACK CUSHIONS	ACCENT PILLOWS	ARM HEIGHT W/ SEAT CUSHION O	ARM HEIGHT W/O SEAT CUSHION P	ARM WIDTH Q	SLEEPER DEPTH OVERALL R	SLEEPER DEPTH INSIDE S	
6' LOW LUXE LEFT-ARM SOFA	72	43½	28	28	16½	28	1½	16½	8½	63½	30	-	11½	11½	19½	-	0	11½	11½	8½	-	-
6' STANDARD LUXE LEFT-ARM SOFA	72	43½	28½	28½	17½	28½	2	16	10	63½	30	-	11	11	18½	-	0	11	11	8½	-	-
6' LOW LUXE RIGHT-ARM SOFA	72	43½	28	28	16½	28	1½	16½	8½	63½	30	-	11½	11½	19½	-	0	11½	11½	8½	-	-
6' STANDARD LUXE RIGHT-ARM SOFA	72	43½	28½	28½	17½	28½	2	16	10	63½	30	-	11	11	18½	-	0	11	11	8½	-	-
7' LOW CLASSIC LEFT-ARM SOFA	84	39½	28	28	16½	28	1½	16½	8½	75½	26	-	11½	11½	19½	-	0	11½	11½	8½	-	-
7' STANDARD CLASSIC LEFT-ARM SOFA	84	39½	28½	28½	17½	28½	2	16	10	75½	26	-	11	11	18½	-	0	11	11	8½	-	-
7' LOW CLASSIC RIGHT-ARM SOFA	84	39½	28	28	16½	28	1½	16½	8½	75½	26	-	11½	11½	19½	-	0	11½	11½	8½	-	-
7' STANDARD CLASSIC RIGHT-ARM SOFA	84	39½	28½	28½	17½	28½	2	16	10	75½	26	-	11	11	18½	-	0	11	11	8½	-	-
7' LOW LUXE LEFT-ARM SOFA	84	43½	28	28	16½	28	1½	16½	8½	75½	30	-	11½	11½	19½	-	0	11½	11½	8½	-	-
7' STANDARD LUXE LEFT-ARM SOFA	84	43½	28½	28½	17½	28½	2	16	10	75½	30	-	11	11	18½	-	0	11	11	8½	-	-
7' LOW LUXE RIGHT-ARM SOFA	84	43½	28	28	16½	28	1½	16½	8½	75½	30	-	11½	11½	19½	-	0	11½	11½	8½	-	-
7' STANDARD LUXE RIGHT-ARM SOFA	84	43½	28½	28½	17½	28½	2	16	10	75½	30	-	11	11	18½	-	0	11	11	8½	-	-
8' LOW CLASSIC LEFT-ARM SOFA	96	39½	28	28	16½	28	1½	16½	8½	87½	26	-	11½	11½	19½	-	0	11½	11½	8½	-	-
8' STANDARD CLASSIC LEFT-ARM SOFA	96	39½	28½	28½	17½	28½	2	16	10	87½	26	-	11	11	18½	-	0	11	11	8½	-	-

MODENA CHESTERFIELD WITH TUFTED SEAT COLLECTION



All dimensions are given in inches. See the attached "Dimensions Diagram" sheet for more information on the keys used in this chart.

	OVERALL WIDTH A	OVERALL DEPTH B	OVERALL HEIGHT C	FRAME HEIGHT D	SEAT HEIGHT E	ARM HEIGHT F	FOOT HEIGHT G	SEAT HEIGHT (FLOOR TO CUSHION SEAM) H	SEAT HEIGHT (FLOOR TO FRAME) I	INSIDE SEAT WIDTH J	INSIDE SEAT DEPTH W/ TUFTED SEAT K	INSIDE SEAT DEPTH W/O BACK CUSHION L	INSIDE BACK HEIGHT W/ SEAT & BACK CUSHIONS M	INSIDE BACK HEIGHT W/ SEAT CUSHION N	# OF BACK CUSHIONS	ACCENT PILLOWS	ARM HEIGHT W/ SEAT CUSHION O	ARM HEIGHT W/O SEAT CUSHION P	ARM WIDTH Q	SLEEPER DEPTH OVERALL R	SLEEPER DEPTH INSIDE S	
8' LOW CLASSIC RIGHT-ARM SOFA	96	39½	28	28	16½	28	1½	16½	8½	87½	26	-	11½	11½	19½	-	0	11½	11½	8½	-	-
8' STANDARD CLASSIC RIGHT-ARM SOFA	96	39½	28½	28½	17½	28½	2	16	10	87½	26	-	11	11	18½	-	0	11	11	8½	-	-
8' LOW LUXE LEFT-ARM SOFA	96	43½	28	28	16½	28	1½	16½	8½	87½	30	-	11½	11½	19½	-	0	11½	11½	8½	-	-
8' STANDARD LUXE LEFT-ARM SOFA	96	43½	28½	28½	17½	28½	2	16	10	87½	30	-	11	11	18½	-	0	11	11	8½	-	-
8' LOW LUXE RIGHT-ARM SOFA	96	43½	28	28	16½	28	1½	16½	8½	87½	30	-	11½	11½	19½	-	0	11½	11½	8½	-	-
8' STANDARD LUXE RIGHT-ARM SOFA	96	43½	28½	28½	17½	28½	2	16	10	87½	30	-	11	11	18½	-	0	11	11	8½	-	-
9' LOW CLASSIC LEFT-ARM SOFA	108	39½	28	28	16½	28	1½	16½	8½	99½	26	-	11½	11½	19½	-	0	11½	11½	8½	-	-
9' STANDARD CLASSIC LEFT-ARM SOFA	108	39½	28½	28½	17½	28½	2	16	10	99½	26	-	11	11	18½	-	0	11	11	8½	-	-
9' LOW CLASSIC RIGHT-ARM SOFA	108	39½	28	28	16½	28	1½	16½	8½	99½	26	-	11½	11½	19½	-	0	11½	11½	8½	-	-
9' STANDARD CLASSIC RIGHT-ARM SOFA	108	39½	28½	28½	17½	28½	2	16	10	99½	26	-	11	11	18½	-	0	11	11	8½	-	-
9' LOW LUXE LEFT-ARM SOFA	108	43½	28	28	16½	28	1½	16½	8½	99½	30	-	11½	11½	19½	-	0	11½	11½	8½	-	-
9' STANDARD LUXE LEFT-ARM SOFA	108	43½	28½	28½	17½	28½	2	16	10	99½	30	-	11	11	18½	-	0	11	11	8½	-	-
9' LOW LUXE RIGHT-ARM SOFA	108	43½	28	28	16½	28	1½	16½	8½	99½	30	-	11½	11½	19½	-	0	11½	11½	8½	-	-
9' STANDARD LUXE RIGHT-ARM SOFA	108	43½	28½	28½	17½	28½	2	16	10	99½	30	-	11	11	18½	-	0	11	11	8½	-	-

MODENA CHESTERFIELD WITH TUFTED SEAT COLLECTION



All dimensions are given in inches. See the attached "Dimensions Diagram" sheet for more information on the keys used in this chart.

	OVERALL WIDTH A	OVERALL DEPTH B	OVERALL HEIGHT C	FRAME HEIGHT D	SEAT HEIGHT E	ARM HEIGHT F	FOOT HEIGHT G	SEAT HEIGHT (FLOOR TO CUSHION SEAM) H	SEAT HEIGHT (FLOOR TO FRAME) I	INSIDE SEAT WIDTH J	INSIDE SEAT DEPTH W/ TUFTED SEAT K	INSIDE SEAT DEPTH W/O BACK CUSHION L	INSIDE BACK HEIGHT W/ SEAT & BACK CUSHIONS M	INSIDE BACK HEIGHT W/ SEAT CUSHION N	# OF BACK CUSHIONS	ACCENT PILLOWS	ARM HEIGHT W/ SEAT CUSHION O	ARM HEIGHT W/O SEAT CUSHION P	ARM WIDTH Q	SLEEPER DEPTH OVERALL R	SLEEPER DEPTH INSIDE S	
7' LOW CLASSIC LEFT-ARM RETURN SOFA	84	39½	28	28	16½	28	1½	16½	8½	61¼	26	-	11½	11½	19½	-	0	11½	11½	8½	-	-
7' STANDARD CLASSIC LEFT-ARM RETURN SOFA	84	39½	28½	28½	17½	28½	2	16	10	61¼	26	-	11	11	18½	-	0	11	11	8½	-	-
7' LOW CLASSIC RIGHT-ARM RETURN SOFA	84	39½	28	28	16½	28	1½	16½	8½	61¼	26	-	11½	11½	19½	-	0	11½	11½	8½	-	-
7' STANDARD CLASSIC RIGHT-ARM RETURN SOFA	84	39½	28½	28½	17½	28½	2	16	10	61¼	26	-	11	11	18½	-	0	11	11	8½	-	-
7' LOW LUXE LEFT-ARM RETURN SOFA	84	43½	28	28	16½	28	1½	16½	8½	61¼	30	-	11½	11½	19½	-	0	11½	11½	8½	-	-
7' STANDARD LUXE LEFT-ARM RETURN SOFA	84	43½	28½	28½	17½	28½	2	16	10	61¼	30	-	11	11	18½	-	0	11	11	8½	-	-
7' LOW LUXE RIGHT-ARM RETURN SOFA	84	43½	28	28	16½	28	1½	16½	8½	61¼	30	-	11½	11½	19½	-	0	11½	11½	8½	-	-
7' STANDARD LUXE RIGHT-ARM RETURN SOFA	84	43½	28½	28½	17½	28½	2	16	10	61¼	30	-	11	11	18½	-	0	11	11	8½	-	-
8' LOW CLASSIC LEFT-ARM RETURN SOFA	96	39½	28	28	16½	28	1½	16½	8½	73¾	26	-	11½	11½	19½	-	0	11½	11½	8½	-	-
8' STANDARD CLASSIC LEFT-ARM RETURN SOFA	96	39½	28½	28½	17½	28½	2	16	10	73¾	26	-	11	11	18½	-	0	11	11	8½	-	-
8' LOW CLASSIC RIGHT-ARM RETURN SOFA	96	39½	28	28	16½	28	1½	16½	8½	73¾	26	-	11½	11½	19½	-	0	11½	11½	8½	-	-
8' STANDARD CLASSIC RIGHT-ARM RETURN SOFA	96	39½	28½	28½	17½	28½	2	16	10	73¾	26	-	11	11	18½	-	0	11	11	8½	-	-
8' LOW LUXE LEFT-ARM RETURN SOFA	96	43½	28	28	16½	28	1½	16½	8½	73¾	30	-	11½	11½	19½	-	0	11½	11½	8½	-	-
8' STANDARD LUXE LEFT-ARM RETURN SOFA	96	43½	28½	28½	17½	28½	2	16	10	73¾	30	-	11	11	18½	-	0	11	11	8½	-	-

MODENA CHESTERFIELD WITH TUFTED SEAT COLLECTION



All dimensions are given in inches. See the attached "Dimensions Diagram" sheet for more information on the keys used in this chart.

	OVERALL WIDTH A	OVERALL DEPTH B	OVERALL HEIGHT C	FRAME HEIGHT D	SEAT HEIGHT E	ARM HEIGHT F	FOOT HEIGHT G	SEAT HEIGHT (FLOOR TO CUSHION SEAM) H	SEAT HEIGHT (FLOOR TO FRAME) I	INSIDE SEAT WIDTH J	INSIDE SEAT DEPTH W/ TUFTED SEAT K	INSIDE SEAT DEPTH W/O BACK CUSHION L	INSIDE BACK HEIGHT W/ SEAT & BACK CUSHIONS M	INSIDE BACK HEIGHT W/ SEAT CUSHION N	# OF BACK CUSHIONS	ACCENT PILLOWS	ARM HEIGHT W/ SEAT CUSHION O	ARM HEIGHT W/O SEAT CUSHION P	ARM WIDTH Q	SLEEPER DEPTH OVERALL R	SLEEPER DEPTH INSIDE S	
8' LOW LUXE RIGHT-ARM RETURN SOFA	96	43½	28	28	16½	28	1½	16½	8½	73¾	30	-	11½	11½	19½	-	0	11½	11½	8½	-	-
8' STANDARD LUXE RIGHT-ARM RETURN SOFA	96	43½	28½	28½	17½	28½	2	16	10	73¾	30	-	11	11	18½	-	0	11	11	8½	-	-
9' LOW CLASSIC LEFT-ARM RETURN SOFA	108	39½	28	28	16½	28	1½	16½	8½	85¾	26	-	11½	11½	19½	-	0	11½	11½	8½	-	-
9' STANDARD CLASSIC LEFT-ARM RETURN SOFA	108	39½	28½	28½	17½	28½	2	16	10	85¾	26	-	11	11	18½	-	0	11	11	8½	-	-
9' LOW CLASSIC RIGHT-ARM RETURN SOFA	108	39½	28	28	16½	28	1½	16½	8½	85¾	26	-	11½	11½	19½	-	0	11½	11½	8½	-	-
9' STANDARD CLASSIC RIGHT-ARM RETURN SOFA	108	39½	28½	28½	17½	28½	2	16	10	85¾	26	-	11	11	18½	-	0	11	11	8½	-	-
9' LOW LUXE LEFT-ARM RETURN SOFA	108	43½	28	28	16½	28	1½	16½	8½	85¾	30	-	11½	11½	19½	-	0	11½	11½	8½	-	-
9' STANDARD LUXE LEFT-ARM RETURN SOFA	108	43½	28½	28½	17½	28½	2	16	10	85¾	30	-	11	11	18½	-	0	11	11	8½	-	-
9' LOW LUXE RIGHT-ARM RETURN SOFA	108	43½	28	28	16½	28	1½	16½	8½	85¾	30	-	11½	11½	19½	-	0	11½	11½	8½	-	-
9' STANDARD LUXE RIGHT-ARM RETURN SOFA	108	43½	28½	28½	17½	28½	2	16	10	85¾	30	-	11	11	18½	-	0	11	11	8½	-	-
10' LOW CLASSIC LEFT-ARM RETURN SOFA	120	39½	28	28	16½	28	1½	16½	8½	97¾	26	-	11½	11½	19½	-	0	11½	11½	8½	-	-
10' STANDARD CLASSIC LEFT-ARM RETURN SOFA	120	39½	28½	28½	17½	28½	2	16	10	97¾	26	-	11	11	18½	-	0	11	11	8½	-	-
10' LOW CLASSIC RIGHT-ARM RETURN SOFA	120	39½	28	28	16½	28	1½	16½	8½	97¾	26	-	11½	11½	19½	-	0	11½	11½	8½	-	-
10' STANDARD CLASSIC RIGHT-ARM RETURN SOFA	120	39½	28½	28½	17½	28½	2	16	10	97¾	26	-	11	11	18½	-	0	11	11	8½	-	-

MODENA CHESTERFIELD WITH TUFTED SEAT COLLECTION



All dimensions are given in inches. See the attached "Dimensions Diagram" sheet for more information on the keys used in this chart.

	OVERALL WIDTH A	OVERALL DEPTH B	OVERALL HEIGHT C	FRAME HEIGHT D	SEAT HEIGHT E	ARM HEIGHT F	FOOT HEIGHT G	SEAT HEIGHT (FLOOR TO CUSHION SEAM) H	SEAT HEIGHT (FLOOR TO FRAME) I	INSIDE SEAT WIDTH J	INSIDE SEAT DEPTH W/ TUFTED SEAT K	INSIDE SEAT DEPTH W/O BACK CUSHION L	INSIDE BACK HEIGHT W/ SEAT & BACK CUSHIONS M	INSIDE BACK HEIGHT W/ SEAT CUSHION N	# OF BACK CUSHIONS	ACCENT PILLOWS	ARM HEIGHT W/ SEAT CUSHION O	ARM HEIGHT W/O SEAT CUSHION P	ARM WIDTH Q	SLEEPER DEPTH OVERALL R	SLEEPER DEPTH INSIDE S	
10' LOW LUXE LEFT-ARM RETURN SOFA	120	43½	28	28	16½	28	1½	16½	8½	97¾	30	-	11½	11½	19½	-	0	11½	11½	8½	-	-
10' STANDARD LUXE LEFT-ARM RETURN SOFA	120	43½	28½	28½	17½	28½	2	16	10	97¾	30	-	11	11	18½	-	0	11	11	8½	-	-
10' LOW LUXE RIGHT-ARM RETURN SOFA	120	43½	28	28	16½	28	1½	16½	8½	97¾	30	-	11½	11½	19½	-	0	11½	11½	8½	-	-
10' STANDARD LUXE RIGHT-ARM RETURN SOFA	120	43½	28½	28½	17½	28½	2	16	10	97¾	30	-	11	11	18½	-	0	11	11	8½	-	-
LOW CLASSIC LEFT-ARM CHAISE	45	66½	28	28	16½	28	1½	16½	8½	42½	53	-	11½	11½	19½	-	0	11½	11½	8½	-	-
STANDARD CLASSIC LEFT-ARM CHAISE	45	66½	28½	28½	17½	28½	2	16	10	42½	53	-	11	11	18½	-	0	11	11	8½	-	-
LOW CLASSIC RIGHT-ARM CHAISE	45	66½	28	28	16½	28	1½	16½	8½	42½	53	-	11½	11½	19½	-	0	11½	11½	8½	-	-
STANDARD CLASSIC RIGHT-ARM CHAISE	45	66½	28½	28½	17½	28½	2	16	10	42½	53	-	11	11	18½	-	0	11	11	8½	-	-
LOW LUXE LEFT-ARM CHAISE	45	70½	28	28	16½	28	1½	16½	8½	42½	57	-	11½	11½	19½	-	0	11½	11½	8½	-	-
STANDARD CLASSIC LEFT-ARM CHAISE	45	70½	28½	28½	17½	28½	2	16	10	42½	57	-	11	11	18½	-	0	11	11	8½	-	-
LOW LUXE RIGHT-ARM CHAISE	45	70½	28	28	16½	28	1½	16½	8½	42½	57	-	11½	11½	19½	-	0	11½	11½	8½	-	-
STANDARD CLASSIC RIGHT-ARM CHAISE	45	70½	28½	28½	17½	28½	2	16	10	42½	57	-	11	11	18½	-	0	11	11	8½	-	-
LOW CLASSIC END-OF-SECTIONAL OTTOMAN	34	28	16½	16½	16½	-	1½	16½	8½	34	-	-	-	-	-	0	-	-	-	-	-	-
STANDARD CLASSIC END-OF-SECTIONAL OTTOMAN	35½	35½	17½	17½	17½	-	2	16	10	35½	-	-	-	-	-	0	-	-	-	-	-	-

MODENA CHESTERFIELD WITH TUFTED SEAT COLLECTION



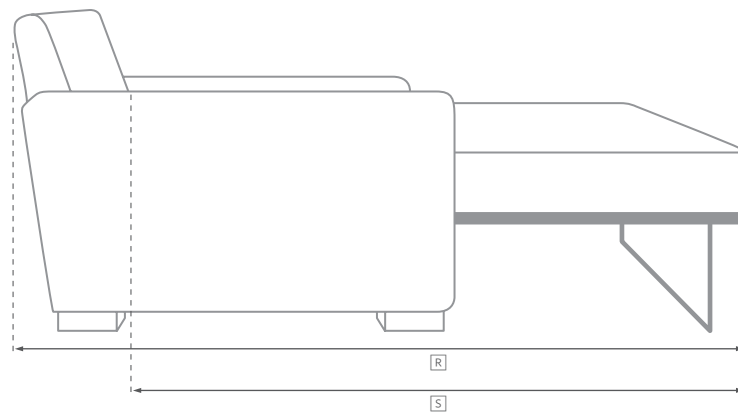
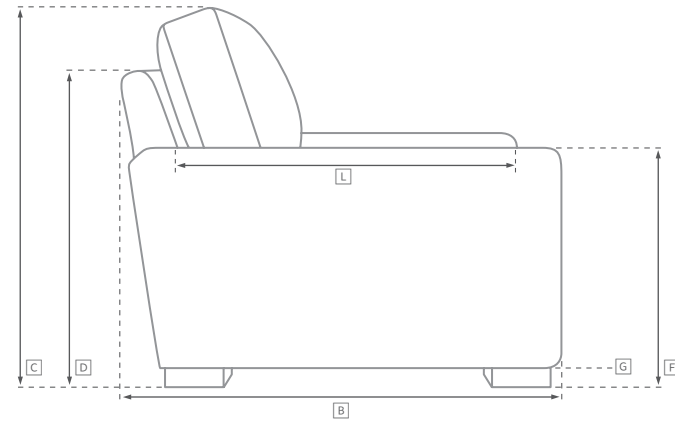
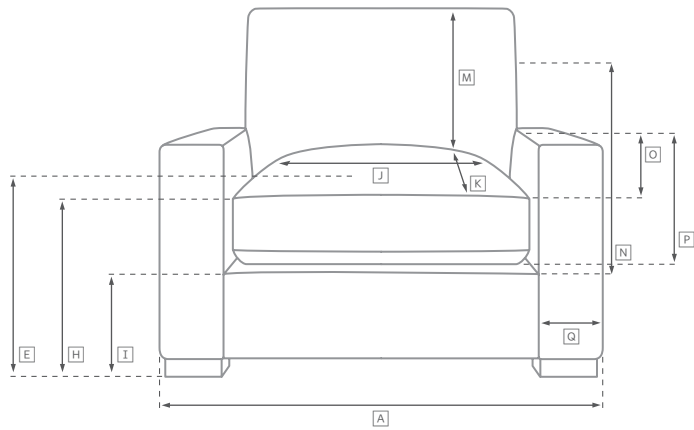
All dimensions are given in inches. See the attached "Dimensions Diagram" sheet for more information on the keys used in this chart.

	A	B	C	D	E	F	G	H	I	J	K	L	M	N			O	P	Q	R	S	
	OVERALL WIDTH	OVERALL DEPTH	OVERALL HEIGHT	FRAME HEIGHT	SEAT HEIGHT	ARM HEIGHT	FOOT HEIGHT	SEAT HEIGHT (FLOOR TO CUSHION SEAM)	SEAT HEIGHT (FLOOR TO FRAME)	INSIDE SEAT WIDTH	INSIDE SEAT DEPTH W/ TUFTED SEAT	INSIDE SEAT DEPTH W/O BACK CUSHION	INSIDE BACK HEIGHT W/ SEAT & BACK CUSHIONS	INSIDE BACK HEIGHT W/ SEAT CUSHION	INSIDE BACK HEIGHT W/O SEAT OR BACK CUSHION	# OF BACK CUSHIONS	ACCENT PILLOWS	ARM HEIGHT W/ SEAT CUSHION	ARM HEIGHT W/O SEAT CUSHION	ARM WIDTH	SLEEPER DEPTH OVERALL	SLEEPER DEPTH INSIDE
LOW LUXE END-OF-SECTIONAL OTTOMAN	39½	39½	16½	16½	16½	-	1½	16½	8½	39½	-	-	-	-	-	0	-	-	-	-	-	-
STANDARD LUXE END-OF-SECTIONAL OTTOMAN	39½	39½	17½	17½	17½	-	2	16	17½	39½	-	-	-	-	-	0	-	-	-	-	-	-

UPHOLSTERY DIMENSIONS DIAGRAM

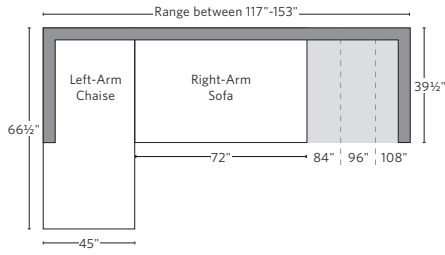
See the "Dimensions Sheet" for the measurements that correspond with the letters below.

RH

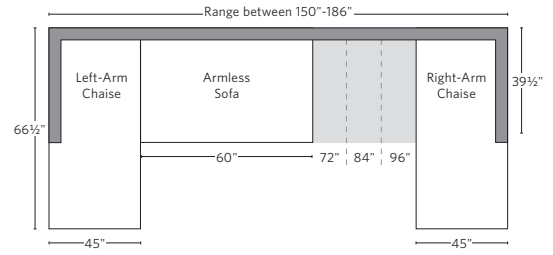


SOFA CHAISE SECTIONAL

Available in left and right-arm configurations.

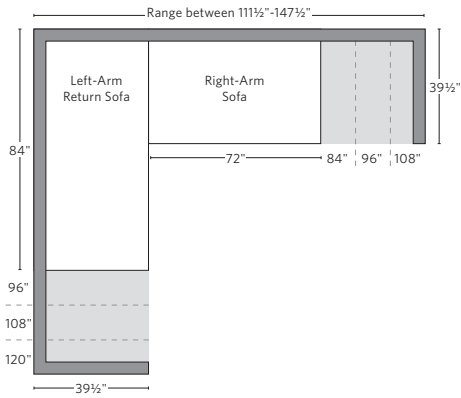


U-CHAISE SECTIONAL



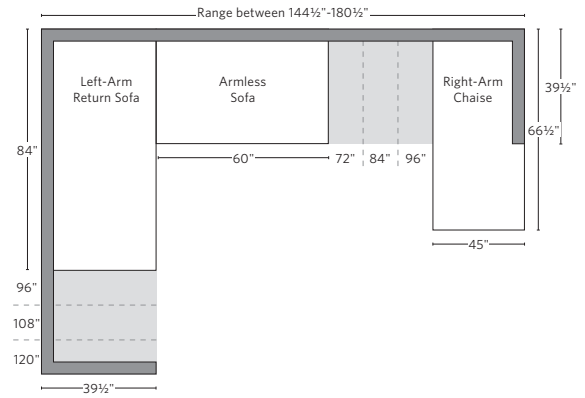
L-SECTIONAL

Available in left and right-arm configurations.

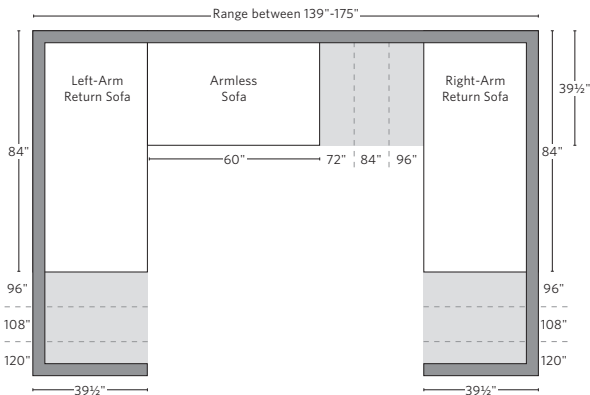


U-SOFA CHAISE SECTIONAL

Available in left and right-arm configurations.



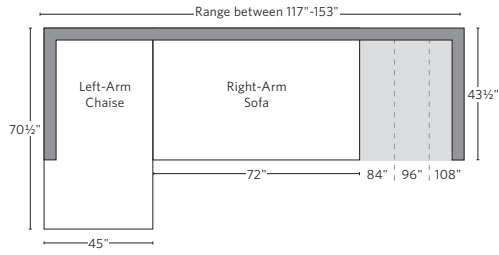
U-SOFA SECTIONAL



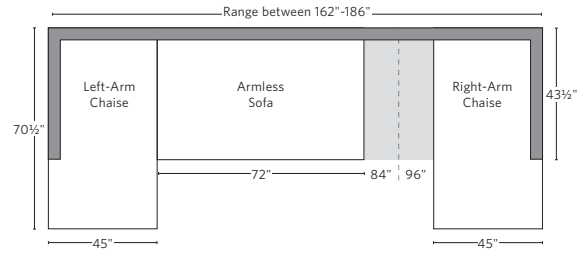
Multiple length options available.

SOFA CHAISE SECTIONAL

Available in left and right-arm configurations.

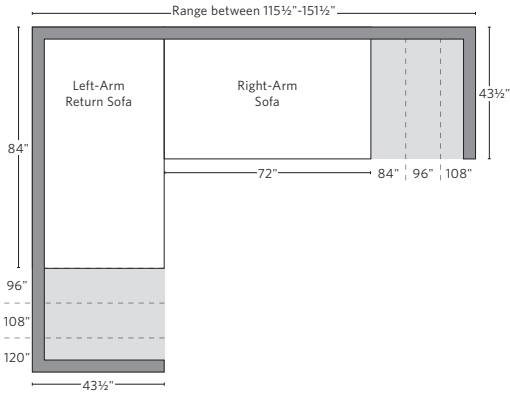


U-CHAISE SECTIONAL



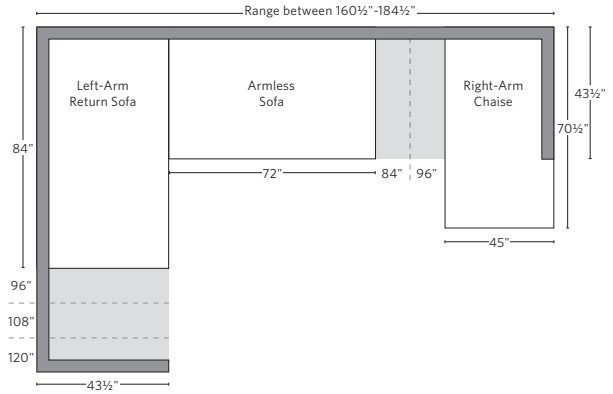
L-SECTIONAL

Available in left and right-arm configurations.

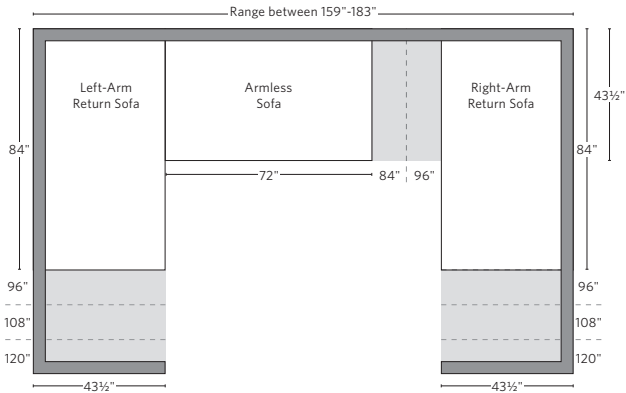


U-SOFA CHAISE SECTIONAL

Available in left and right-arm configurations.



U-SOFA SECTIONAL



Multiple length options available.