

# MAXWELL COLLECTION



All dimensions are given in inches. See the attached "Dimensions Diagram" sheet for more information on the keys used in this chart.

	A	B	C	D	E	F	G	H	I	J	K	L		M	N						O	P	Q	R	S
	OVERALL WIDTH	OVERALL DEPTH	OVERALL HEIGHT	FRAME HEIGHT	SEAT HEIGHT	ARM HEIGHT	FOOT HEIGHT	SEAT HEIGHT (FLOOR TO CUSHION SEAM)	SEAT HEIGHT (FLOOR TO FRAME)	INSIDE SEAT WIDTH	INSIDE SEAT DEPTH W/ BACK CUSHION	INSIDE SEAT DEPTH W/O BACK CUSHION	INSIDE BACK HEIGHT W/ SEAT & BACK CUSHIONS	INSIDE BACK HEIGHT W/ SEAT CUSHION	INSIDE BACK HEIGHT W/O SEAT OR BACK CUSHION	# OF BACK CUSHIONS	# OF SEAT CUSHIONS	ACCENT PILLOWS	REGULAR ACCENT PILLOWS DIAMETER	LARGER ACCENT PILLOW DIAMETER	ARM HEIGHT W/ SEAT CUSHION	ARM HEIGHT W/O SEAT CUSHION	ARM WIDTH	SLEEPER DEPTH OVERALL	SLEEPER DEPTH INSIDE
5' PETITE SOFA	60	36¾	30½	28½	19¾	20¾	1½	16¾	10½	50	20½	26	11¾	9¾	18	1	1	0	-	-	1½	10¾	5	-	-
5' CLASSIC SOFA	60	40	34	30	20	22¾	2	17¾	11	46	24	29	13¾	10	19	1	1	0	-	-	2¾	11¾	7	-	-
5' LUXE SOFA	60	46	34	30	20	22¾	2	17¾	11	46	30	35	14	10	19	1	1	0	-	-	2¾	11¾	7	-	-
6' PETITE SOFA	72	36¾	30½	28½	19¾	20¾	1½	16¾	10½	62	20½	28	11¾	9¾	18	2	2	0	-	-	1½	10¾	5	-	-
6' CLASSIC SOFA	72	40	34	30	20	22¾	2	17¾	11	58	24	29	13¾	10	19	2	2	0	-	-	2¾	11¾	7	-	-
6' LUXE SOFA	72	46	34	30	20	22¾	2	17¾	11	58	30	35	14	10	19	2	2	0	-	-	2¾	11¾	7	-	-
84" QUEEN SLEEPER SOFA	84	40	36	33½	20	23	1¾	17	12	72	23	32	16	13¾	21½	2	2	0	-	-	3	11	6	85	80
7' PETITE SOFA	84	36¾	30½	28½	19¾	20¾	1½	16¾	10½	74	20½	26	11¾	9¾	18	2	2	0	-	-	1½	10¾	5	-	-
7' CLASSIC SOFA	84	40	34	30	20	22¾	2	17¾	11	70	24	29	13¾	10	19	2	2	0	-	-	2¾	11¾	7	-	-
7' CLASSIC THREE-SEAT-CUSHION SOFA	84	40	34	30	20	22¾	2	17¾	11	70	24	29	13¾	10	19	3	3	0	-	-	2¾	11¾	7	-	-
7' LUXE SOFA	84	46	34	30	20	22¾	2	17¾	11	70	30	35	14	10	19	2	2	0	-	-	2¾	11¾	7	-	-
7' LUXE THREE-SEAT-CUSHION SOFA	84	46	34	30	20	22¾	2	17¾	11	70	30	35	14	10	19	3	3	0	-	-	2¾	11¾	7	-	-
8' PETITE SOFA	96	36¾	30½	28½	19¾	20¾	1½	16¾	10½	86	20½	26	11¾	9¾	18	2	2	0	-	-	1½	10¾	5	-	-
8' CLASSIC SOFA	96	40	34	30	20	22¾	2	17¾	11	82	24	29	13¾	10	19	2	2	0	-	-	2¾	11¾	7	-	-

# MAXWELL COLLECTION



All dimensions are given in inches. See the attached "Dimensions Diagram" sheet for more information on the keys used in this chart.

	A	B	C	D	E	F	G	H	I	J	K	L		M	N						O	P	Q	R	S
	OVERALL WIDTH	OVERALL DEPTH	OVERALL HEIGHT	FRAME HEIGHT	SEAT HEIGHT	ARM HEIGHT	FOOT HEIGHT	SEAT HEIGHT (FLOOR TO CUSHION SEAM)	SEAT HEIGHT (FLOOR TO FRAME)	INSIDE SEAT WIDTH	INSIDE SEAT DEPTH W/ BACK CUSHION	INSIDE SEAT DEPTH W/O BACK CUSHION	INSIDE BACK HEIGHT W/ SEAT & BACK CUSHIONS	INSIDE BACK HEIGHT W/ SEAT CUSHION	INSIDE BACK HEIGHT W/O SEAT OR BACK CUSHION	# OF BACK CUSHIONS	# OF SEAT CUSHIONS	ACCENT PILLOWS	REGULAR ACCENT PILLOWS DIAMETER	LARGER ACCENT PILLOW DIAMETER	ARM HEIGHT W/ SEAT CUSHION	ARM HEIGHT W/O SEAT CUSHION	ARM WIDTH	SLEEPER DEPTH OVERALL	SLEEPER DEPTH INSIDE
8' CLASSIC THREE-SEAT-CUSHION SOFA	96	40	34	30	20	22½	2	17¾	11	82	24	29	13½	10	19	3	3	0	-	-	2¼	11¾	7	-	-
8' LUXE SOFA	96	46	34	30	20	22½	2	17¾	11	82	30	35	14	10	19	2	2	0	-	-	2¼	11¾	7	-	-
8' LUXE THREE-SEAT-CUSHION SOFA	96	46	34	30	20	22½	2	17¾	11	82	30	35	14	10	19	3	3	0	-	-	2¼	11¾	7	-	-
96" KING SLEEPER SOFA	96	40	36	33½	20	23	1¾	17	12	84	23	32	16	13½	21½	2	2	0	-	-	3	11	6	85	80
9' PETITE SOFA	108	36¾	30½	28½	19¾	20¾	1½	16¾	10½	98	20½	26	11¾	9¾	18	2	2	0	-	-	1½	10¾	5	-	-
9' CLASSIC SOFA	108	40	34	30	20	22½	2	17¾	11	94	24	29	13½	10	19	2	2	0	-	-	2¼	11¾	7	-	-
9' CLASSIC THREE-SEAT-CUSHION SOFA	108	40	34	30	20	22½	2	17¾	11	94	24	29	13½	10	19	3	3	0	-	-	2¼	11¾	7	-	-
9' LUXE SOFA	108	46	34	30	20	22½	2	17¾	11	94	30	35	14	10	19	2	2	0	-	-	2¼	11¾	7	-	-
9' LUXE THREE-SEAT-CUSHION SOFA	108	46	34	30	20	22½	2	17¾	11	94	30	35	14	10	19	3	3	0	-	-	2¼	11¾	7	-	-
108" KING SLEEPER SOFA	108	40	36	33½	20	23	1¾	17	12	96	23	32	16	13½	21½	2	2	0	-	-	3	11	6	85	80
10' PETITE SOFA	120	36¾	30½	28½	19¾	20¾	1½	16¾	10½	110	20½	26	11¾	9¾	18	2	2	0	-	-	1½	10¾	5	-	-
10' CLASSIC SOFA	120	40	34	30	20	22½	2	17¾	11	106	24	29	13½	10	19	2	2	0	-	-	2¼	11¾	7	-	-
10' CLASSIC THREE-SEAT-CUSHION SOFA	120	40	34	30	20	22½	2	17¾	11	106	24	29	13½	10	19	3	3	0	-	-	2¼	11¾	7	-	-
10' LUXE SOFA	120	46	34	30	20	22½	2	17¾	11	106	30	35	14	10	19	2	2	0	-	-	2¼	11¾	7	-	-

\* ALSO AVAILABLE WITH 2 SEAT CUSHIONS

# MAXWELL COLLECTION



All dimensions are given in inches. See the attached "Dimensions Diagram" sheet for more information on the keys used in this chart.

	A	B	C	D	E	F	G	H	I	J	K	L		M	N						O	P	Q	R	S
	OVERALL WIDTH	OVERALL DEPTH	OVERALL HEIGHT	FRAME HEIGHT	SEAT HEIGHT	ARM HEIGHT	FOOT HEIGHT	SEAT HEIGHT (FLOOR TO CUSHION SEAM)	SEAT HEIGHT (FLOOR TO FRAME)	INSIDE SEAT WIDTH	INSIDE SEAT DEPTH W/ BACK CUSHION	INSIDE SEAT DEPTH W/O BACK CUSHION	INSIDE BACK HEIGHT W/ SEAT & BACK CUSHIONS	INSIDE BACK HEIGHT W/ SEAT CUSHION	INSIDE BACK HEIGHT W/O SEAT OR BACK CUSHION	# OF BACK CUSHIONS	# OF SEAT CUSHIONS	ACCENT PILLOWS	REGULAR ACCENT PILLOWS DIAMETER	LARGER ACCENT PILLOW DIAMETER	ARM HEIGHT W/ SEAT CUSHION	ARM HEIGHT W/O SEAT CUSHION	ARM WIDTH	SLEEPER DEPTH OVERALL	SLEEPER DEPTH INSIDE
10' LUXE THREE-SEAT-CUSHION SOFA	120	46	34	30	20	22½	2	17½	11	106	29	36	14	10	19	3	3	0	-	-	2½	11¾	7	-	-
PETITE CHAIR	33	36½	30½	28½	19¾	20¾	1½	16¾	10½	23	20½	26	11¾	9¾	18	1	1	0	-	-	1½	10¾	5	-	-
CLASSIC CHAIR	42	40	34	30	20	22½	2	17½	11	28	24	29	13½	10	19	1	1	0	-	-	2½	11¾	7	-	-
LUXE CHAIR	42	46	34	30	20	22½	2	17½	11	28	30	35	14	10	19	1	1	0	-	-	2½	11¾	7	-	-
CLASSIC CHAIR-AND-A-HALF	52	40	34	30	20	22½	2	17½	11	38	24	29	13½	10	19	1	1	0	-	-	2½	11¾	7	-	-
LUXE CHAIR-AND-A-HALF	52	46	34	30	20	22½	2	17½	11	38	30	35	14	10	19	1	1	0	-	-	2½	11¾	7	-	-
CLASSIC SWIVEL CHAIR	42	40	34	30	20	22½	-	17½	11	28	24	29	13½	10	19	1	1	0	-	-	2½	11¾	7	-	-
LUXE SWIVEL CHAIR	42	46	34	30	20	22½	-	17½	11	28	30	35	14	10	19	1	1	0	-	-	2½	11¾	7	-	-
RECLINER CHAIR	39	38¾	37	34	21	25½	2	19	11	25	22½	29½	14	10	19	1	1	0	-	-	2½	11¾	7	-	-
CHAISE	43	70	34	30	20	22½	2	18	11	29	53	61	14	10	19	1	1	0	-	-	2½	11¾	7	-	-
DAYBED	96½	60	31½	28½	18¾	21¾	2	16¾	11	86½	43¾	51¾	13¾	10¾	17½	2	2	0	-	-	3	10¾	5	-	-
PETITE OTTOMAN	32¾	22¾	18½	18½	18½	-	2	17½	10	32¾	-	-	-	-	-	-	1	-	-	-	-	-	-	-	-
CLASSIC/LUXE OTTOMAN	32	24	18½	18½	18½	-	2	17½	10	32	-	-	-	-	-	-	1	-	-	-	-	-	-	-	-
COFFEE OTTOMAN	68	40	18½	18½	18½	-	2	17½	10	68	-	-	-	-	-	-	1	-	-	-	-	-	-	-	-

\* ALSO AVAILABLE WITH 2 SEAT CUSHIONS

# MAXWELL COLLECTION



All dimensions are given in inches. See the attached "Dimensions Diagram" sheet for more information on the keys used in this chart.

	A	B	C	D	E	F	G	H	I	J	K	L		M	N						O	P	Q	R	S
	OVERALL WIDTH	OVERALL DEPTH	OVERALL HEIGHT	FRAME HEIGHT	SEAT HEIGHT	ARM HEIGHT	FOOT HEIGHT	SEAT HEIGHT (FLOOR TO CUSHION SEAM)	SEAT HEIGHT (FLOOR TO FRAME)	INSIDE SEAT WIDTH	INSIDE SEAT DEPTH W/ BACK CUSHION	INSIDE SEAT DEPTH W/O BACK CUSHION	INSIDE BACK HEIGHT W/ SEAT & BACK CUSHIONS	INSIDE BACK HEIGHT W/ SEAT CUSHION	INSIDE BACK HEIGHT W/O SEAT OR BACK CUSHION	# OF BACK CUSHIONS	# OF SEAT CUSHIONS	ACCENT PILLOWS	REGULAR ACCENT PILLOWS DIAMETER	LARGER ACCENT PILLOW DIAMETER	ARM HEIGHT W/ SEAT CUSHION	ARM HEIGHT W/O SEAT CUSHION	ARM WIDTH	SLEEPER DEPTH OVERALL	SLEEPER DEPTH INSIDE
5' PETITE ARMLESS BENCH-SEAT SOFA*	60	36½	30½	28½	19¼	-	1½	16¾	10½	60	20½	26	11¾	9¾	18	2	1	0	-	-	-	-	-	-	-
5' CLASSIC ARMLESS BENCH-SEAT SOFA*	60	40	34	30	20	-	2	17¼	11	60	24	29	13¾	10	19	2	1	0	-	-	-	-	-	-	-
6' PETITE ARMLESS BENCH-SEAT SOFA*	72	36½	30½	28½	19¼	-	1½	16¾	10½	72	20½	26	11¾	9¾	18	2	1	0	-	-	-	-	-	-	-
6' CLASSIC ARMLESS BENCH-SEAT SOFA*	72	40	34	30	20	-	2	17¼	11	72	24	29	13¾	10	19	2	1	0	-	-	-	-	-	-	-
6' LUXE ARMLESS BENCH-SEAT SOFA*	72	46	34	30	20	-	2	17¼	11	72	30	35	14	10	19	2	1	0	-	-	-	-	-	-	-
7' PETITE ARMLESS BENCH-SEAT SOFA*	84	36½	30½	28½	19¼	-	1½	16¾	10½	84	20½	26	11¾	9¾	18	2	1	0	-	-	-	-	-	-	-
7' CLASSIC ARMLESS BENCH-SEAT SOFA*	84	40	34	30	20	-	2	17¼	11	84	24	29	13¾	10	19	2	1	0	-	-	-	-	-	-	-
7' LUXE ARMLESS BENCH-SEAT SOFA*	84	46	34	30	20	-	2	17¼	11	84	30	35	14	10	19	2	1	0	-	-	-	-	-	-	-
8' PETITE ARMLESS BENCH-SEAT SOFA*	96	36½	30½	28½	19¼	-	1½	16¾	10½	96	20½	26	11¾	9¾	18	2	1	0	-	-	-	-	-	-	-
8' CLASSIC ARMLESS BENCH-SEAT SOFA*	96	40	34	30	20	-	2	17¼	11	96	24	29	13¾	10	19	2	1	0	-	-	-	-	-	-	-
8' LUXE ARMLESS BENCH-SEAT SOFA*	96	46	34	30	20	-	2	17¼	11	96	30	35	14	10	19	2	1	0	-	-	-	-	-	-	-
9' PETITE ARMLESS BENCH-SEAT SOFA*	108	36½	30½	28½	19¼	-	1½	16¾	10½	108	20½	26	11¾	9¾	18	2	1	0	-	-	-	-	-	-	-
9' CLASSIC ARMLESS BENCH-SEAT SOFA*	108	40	34	30	20	-	2	17¼	11	108	24	29	13¾	10	19	2	1	0	-	-	-	-	-	-	-
9' LUXE ARMLESS BENCH-SEAT SOFA*	108	46	34	30	20	-	2	17¼	11	108	30	35	14	10	19	2	1	0	-	-	-	-	-	-	-

\* ALSO AVAILABLE WITH 2 SEAT CUSHIONS

# MAXWELL COLLECTION



All dimensions are given in inches. See the attached "Dimensions Diagram" sheet for more information on the keys used in this chart.

	OVERALL WIDTH [A]	OVERALL DEPTH [B]	OVERALL HEIGHT [C]	FRAME HEIGHT [D]	SEAT HEIGHT [E]	ARM HEIGHT [F]	FOOT HEIGHT [G]	SEAT HEIGHT (FLOOR TO CUSHION SEAM) [H]	SEAT HEIGHT (FLOOR TO FRAME) [I]	INSIDE SEAT WIDTH [J]	INSIDE SEAT DEPTH W/ BACK CUSHION [K]	INSIDE SEAT DEPTH W/O BACK CUSHION [L]	INSIDE BACK HEIGHT W/ SEAT & BACK CUSHIONS [M]	INSIDE BACK HEIGHT W/ SEAT CUSHION [N]	# OF BACK CUSHIONS	# OF SEAT CUSHIONS	ACCENT PILLOWS	REGULAR ACCENT PILLOWS DIAMETER	LARGER ACCENT PILLOW DIAMETER	ARM HEIGHT W/ SEAT CUSHION [O]	ARM HEIGHT W/O SEAT CUSHION [P]	ARM WIDTH [Q]	SLEEPER DEPTH OVERALL [R]	SLEEPER DEPTH INSIDE [S]	
10' LUXE ARMLESS BENCH-SEAT SOFA*	120	46	34	30	20	-	2	17¼	11	120	30	35	14	10	19	2	1	0	-	-	-	-	-	-	-
5' PETITE LEFT-ARM BENCH-SEAT SOFA*	60	36¼	30½	28½	19¼	20¾	1½	16¾	10½	55	20½	26	11¾	9¾	18	2	1	0	-	-	1½	10¼	5	-	-
5' PETITE RIGHT-ARM BENCH-SEAT SOFA*	60	36¼	30½	28½	19¼	20¾	1½	16¾	10½	55	20½	26	11¾	9¾	18	2	1	0	-	-	1½	10¼	5	-	-
5' CLASSIC LEFT-ARM BENCH-SEAT SOFA*	60	40	34	30	20	22¼	2	17¼	11	53	24	29	13½	10	19	2	1	0	-	-	2¼	11¾	7	-	-
5' CLASSIC RIGHT-ARM BENCH-SEAT SOFA*	60	40	34	30	20	22¼	2	17¼	11	53	24	29	13½	10	19	2	1	0	-	-	2¼	11¾	7	-	-
6' PETITE LEFT-ARM BENCH-SEAT SOFA*	72	36¼	30½	28½	19¼	20¾	1½	16¾	10½	67	20½	26	11¾	9¾	18	2	1	0	-	-	1½	10¼	5	-	-
6' PETITE RIGHT-ARM BENCH-SEAT SOFA*	72	36¼	30½	28½	19¼	20¾	1½	16¾	10½	67	20½	26	11¾	9¾	18	2	1	0	-	-	1½	10¼	5	-	-
6' CLASSIC LEFT-ARM BENCH-SEAT SOFA*	72	40	34	30	20	22¼	2	17¼	11	65	24	29	13½	10	19	2	1	0	-	-	2¼	11¾	7	-	-
6' CLASSIC RIGHT-ARM BENCH-SEAT SOFA*	72	40	34	30	20	22¼	2	17¼	11	65	24	29	13½	10	19	2	1	0	-	-	2¼	11¾	7	-	-
6' LUXE LEFT-ARM BENCH-SEAT SOFA*	72	46	34	30	20	22¼	2	17¼	11	65	30	35	14	10	19	2	1	0	-	-	2¼	11¾	7	-	-
6' LUXE RIGHT-ARM BENCH-SEAT SOFA*	72	46	34	30	20	22¼	2	17¼	11	65	30	35	14	10	19	2	1	0	-	-	2¼	11¾	7	-	-
7' PETITE LEFT-ARM BENCH-SEAT SOFA*	84	36¼	30½	28½	19¼	20¾	1½	16¾	10½	79	20½	26	11¾	9¾	18	2	1	0	-	-	1½	10¼	5	-	-
7' PETITE RIGHT-ARM BENCH-SEAT SOFA*	84	36¼	30½	28½	19¼	20¾	1½	16¾	10½	79	20½	26	11¾	9¾	18	2	1	0	-	-	1½	10¼	5	-	-
7' CLASSIC LEFT-ARM BENCH-SEAT SOFA*	84	40	34	30	20	22¼	2	17¼	11	77	24	29	13½	10	19	2	1	0	-	-	2¼	11¾	7	-	-

\* ALSO AVAILABLE WITH 2 SEAT CUSHIONS

# MAXWELL COLLECTION



All dimensions are given in inches. See the attached "Dimensions Diagram" sheet for more information on the keys used in this chart.

	A	B	C	D	E	F	G	H	I	J	K	L		M	N					O	P	Q	R	S	
	OVERALL WIDTH	OVERALL DEPTH	OVERALL HEIGHT	FRAME HEIGHT	SEAT HEIGHT	ARM HEIGHT	FOOT HEIGHT	SEAT HEIGHT (FLOOR TO CUSHION SEAM)	SEAT HEIGHT (FLOOR TO FRAME)	INSIDE SEAT WIDTH	INSIDE SEAT DEPTH W/ BACK CUSHION	INSIDE SEAT DEPTH W/O BACK CUSHION	INSIDE BACK HEIGHT W/ SEAT & BACK CUSHIONS	INSIDE BACK HEIGHT W/ SEAT CUSHION	INSIDE BACK HEIGHT W/O SEAT OR BACK CUSHION	# OF BACK CUSHIONS	# OF SEAT CUSHIONS	ACCENT PILLOWS	REGULAR ACCENT PILLOWS DIAMETER	LARGER ACCENT PILLOW DIAMETER	ARM HEIGHT W/ SEAT CUSHION	ARM HEIGHT W/O SEAT CUSHION	ARM WIDTH	SLEEPER DEPTH OVERALL	SLEEPER DEPTH INSIDE
7' CLASSIC RIGHT-ARM BENCH-SEAT SOFA*	84	40	34	30	20	22¼	2	17¼	11	77	24	29	13½	10	19	2	1	0	-	-	2¼	11¼	7	-	-
7' LUXE LEFT-ARM BENCH-SEAT SOFA*	84	46	34	30	20	22¼	2	17¼	11	77	30	35	14	10	19	2	1	0	-	-	2¼	11¼	7	-	-
7' LUXE RIGHT-ARM BENCH-SEAT SOFA*	84	46	34	30	20	22¼	2	17¼	11	77	30	35	14	10	19	2	1	0	-	-	2¼	11¼	7	-	-
8' PETITE LEFT-ARM BENCH-SEAT SOFA*	96	36¼	30½	28½	19¼	20¼	1½	16¼	10½	91	20½	26	11¼	9¼	18	2	1	0	-	-	1½	10¼	5	-	-
8' PETITE RIGHT-ARM BENCH-SEAT SOFA*	96	36¼	30½	28½	19¼	20¼	1½	16¼	10½	91	20½	26	11¼	9¼	18	2	1	0	-	-	1½	10¼	5	-	-
8' CLASSIC LEFT-ARM BENCH-SEAT SOFA*	96	40	34	30	20	22¼	2	17¼	11	89	24	29	13½	10	19	2	1	0	-	-	2¼	11¼	7	-	-
8' CLASSIC RIGHT-ARM BENCH-SEAT SOFA*	96	40	34	30	20	22¼	2	17¼	11	89	24	29	13½	10	19	2	1	0	-	-	2¼	11¼	7	-	-
8' LUXE LEFT-ARM BENCH-SEAT SOFA*	96	46	34	30	20	22¼	2	17¼	11	89	30	35	14	10	19	2	1	0	-	-	2¼	11¼	7	-	-
8' LUXE RIGHT-ARM BENCH-SEAT SOFA*	96	46	34	30	20	22¼	2	17¼	11	89	30	35	14	10	19	2	1	0	-	-	2¼	11¼	7	-	-
9' PETITE LEFT-ARM BENCH-SEAT SOFA*	108	36¼	30½	28½	19¼	20¼	1½	16¼	10½	103	20½	26	11¼	9¼	18	2	1	0	-	-	1½	10¼	5	-	-
9' PETITE RIGHT-ARM BENCH-SEAT SOFA*	108	36¼	30½	28½	19¼	20¼	1½	16¼	10½	103	20½	26	11¼	9¼	18	2	1	0	-	-	1½	10¼	5	-	-
9' CLASSIC LEFT-ARM BENCH-SEAT SOFA*	108	40	34	30	20	22¼	2	17¼	11	101	24	29	13½	10	19	2	1	0	-	-	2¼	11¼	7	-	-
9' CLASSIC RIGHT-ARM BENCH-SEAT SOFA*	108	40	34	30	20	22¼	2	17¼	11	101	24	29	13½	10	19	2	1	0	-	-	2¼	11¼	7	-	-
9' LUXE LEFT-ARM BENCH-SEAT SOFA*	108	46	34	30	20	22¼	2	17¼	11	101	30	35	14	10	19	2	1	0	-	-	2¼	11¼	7	-	-

\* ALSO AVAILABLE WITH 2 SEAT CUSHIONS

# MAXWELL COLLECTION



All dimensions are given in inches. See the attached "Dimensions Diagram" sheet for more information on the keys used in this chart.

	OVERALL WIDTH [A]	OVERALL DEPTH [B]	OVERALL HEIGHT [C]	FRAME HEIGHT [D]	SEAT HEIGHT [E]	ARM HEIGHT [F]	FOOT HEIGHT [G]	SEAT HEIGHT (FLOOR TO CUSHION SEAM) [H]	SEAT HEIGHT (FLOOR TO FRAME) [I]	INSIDE SEAT WIDTH [J]	INSIDE SEAT DEPTH W/ BACK CUSHION [K]	INSIDE SEAT DEPTH W/O BACK CUSHION [L]	INSIDE BACK HEIGHT W/ SEAT & BACK CUSHIONS [M]	INSIDE BACK HEIGHT W/ SEAT CUSHION [N]	# OF BACK CUSHIONS	# OF SEAT CUSHIONS	ACCENT PILLOWS	REGULAR ACCENT PILLOWS DIAMETER	LARGER ACCENT PILLOW DIAMETER	ARM HEIGHT W/ SEAT CUSHION [O]	ARM HEIGHT W/O SEAT CUSHION [P]	ARM WIDTH [Q]	SLEEPER DEPTH OVERALL [R]	SLEEPER DEPTH INSIDE [S]	
9' LUXE RIGHT-ARM BENCH-SEAT SOFA*	108	46	34	30	20	22¼	2	17¼	11	101	30	35	14	10	19	2	1	0	-	-	2¼	11¼	7	-	-
10' LUXE LEFT-ARM BENCH-SEAT SOFA*	120	46	34	30	20	22¼	2	17¼	11	113	30	35	14	10	19	2	1	0	-	-	2¼	11¼	7	-	-
10' LUXE RIGHT-ARM BENCH-SEAT SOFA*	120	46	34	30	20	22¼	2	17¼	11	113	30	35	14	10	19	2	1	0	-	-	2¼	11¼	7	-	-
7' PETITE LEFT-ARM RETURN BENCH-SEAT SOFA*	84	36¼	30½	28½	19¼	20¼	1½	16¼	10½	67	20½	26	11¼	9¼	18	3	1	0	-	-	1½	10¼	5	-	-
7' PETITE RIGHT-ARM RETURN BENCH-SEAT SOFA*	84	36¼	30½	28½	19¼	20¼	1½	16¼	10½	67	20½	26	11¼	9¼	18	3	1	0	-	-	1½	10¼	5	-	-
7' CLASSIC LEFT-ARM RETURN BENCH-SEAT SOFA*	84	40	34	30	20	22¼	2	17¼	11	67	24	29	13½	10	19	3	1	0	-	-	2¼	11¼	7	-	-
7' CLASSIC RIGHT-ARM RETURN BENCH-SEAT SOFA*	84	40	34	30	20	22¼	2	17¼	11	67	24	29	13½	10	19	3	1	0	-	-	2¼	11¼	7	-	-
7' LUXE LEFT-ARM RETURN BENCH-SEAT SOFA*	84	46	34	30	20	22¼	2	17¼	11	68	30	35	14	10	19	3	1	0	-	-	2¼	11¼	7	-	-
7' LUXE RIGHT-ARM RETURN BENCH-SEAT SOFA*	84	46	34	30	20	22¼	2	17¼	11	68	30	35	14	10	19	3	1	0	-	-	2¼	11¼	7	-	-
8' PETITE LEFT-ARM RETURN BENCH-SEAT SOFA*	96	36¼	30½	28½	19¼	20¼	1½	16¼	10½	79	20½	26	11¼	9¼	18	3	1	0	-	-	1½	10¼	5	-	-
8' PETITE RIGHT-ARM RETURN BENCH-SEAT SOFA*	96	36¼	30½	28½	19¼	20¼	1½	16¼	10½	79	20½	26	11¼	9¼	18	3	1	0	-	-	1½	10¼	5	-	-
8' CLASSIC LEFT-ARM RETURN BENCH-SEAT SOFA*	96	40	34	30	20	22¼	2	17¼	11	79	24	29	13½	10	19	3	1	0	-	-	2¼	11¼	7	-	-
8' CLASSIC RIGHT-ARM RETURN BENCH-SEAT SOFA*	96	40	34	30	20	22¼	2	17¼	11	79	24	29	13½	10	19	3	1	0	-	-	2¼	11¼	7	-	-
8' LUXE LEFT-ARM RETURN BENCH-SEAT SOFA*	96	46	34	30	20	22¼	2	17¼	11	80	30	35	14	10	19	3	1	0	-	-	2¼	11¼	7	-	-

\* ALSO AVAILABLE WITH 2 SEAT CUSHIONS

# MAXWELL COLLECTION



All dimensions are given in inches. See the attached "Dimensions Diagram" sheet for more information on the keys used in this chart.

	A	B	C	D	E	F	G	H	I	J	K	L		M	N						O	P	Q	R	S
	OVERALL WIDTH	OVERALL DEPTH	OVERALL HEIGHT	FRAME HEIGHT	SEAT HEIGHT	ARM HEIGHT	FOOT HEIGHT	SEAT HEIGHT (FLOOR TO CUSHION SEAM)	SEAT HEIGHT (FLOOR TO FRAME)	INSIDE SEAT WIDTH	INSIDE SEAT DEPTH W/ BACK CUSHION	INSIDE SEAT DEPTH W/O BACK CUSHION	INSIDE BACK HEIGHT W/ SEAT & BACK CUSHIONS	INSIDE BACK HEIGHT W/ SEAT CUSHION	INSIDE BACK HEIGHT W/O SEAT OR BACK CUSHION	# OF BACK CUSHIONS	# OF SEAT CUSHIONS	ACCENT PILLOWS	REGULAR ACCENT PILLOWS DIAMETER	LARGER ACCENT PILLOW DIAMETER	ARM HEIGHT W/ SEAT CUSHION	ARM HEIGHT W/O SEAT CUSHION	ARM WIDTH	SLEEPER DEPTH OVERALL	SLEEPER DEPTH INSIDE
8' LUXE RIGHT-ARM RETURN BENCH-SEAT SOFA*	96	46	34	30	20	22½	2	17¾	11	80	30	35	14	10	19	3	1	0	-	-	2¾	11¾	7	-	-
9' PETITE LEFT-ARM RETURN BENCH-SEAT SOFA*	108	36¾	30½	28½	19¾	20¾	1½	16¾	10½	91	20½	26	11¾	9¾	18	3	1	0	-	-	1½	10¾	5	-	-
9' PETITE RIGHT-ARM RETURN BENCH-SEAT SOFA*	108	36¾	30½	28½	19¾	20¾	1½	16¾	10½	91	20½	26	11¾	9¾	18	3	1	0	-	-	1½	10¾	5	-	-
9' CLASSIC LEFT-ARM RETURN BENCH-SEAT SOFA*	108	40	34	30	20	22½	2	17¾	11	91	24	29	13½	10	19	3	1	0	-	-	2¾	11¾	7	-	-
9' CLASSIC RIGHT-ARM RETURN BENCH-SEAT SOFA*	108	40	34	30	20	22½	2	17¾	11	91	24	29	13½	10	19	3	1	0	-	-	2¾	11¾	7	-	-
9' LUXE LEFT-ARM RETURN BENCH-SEAT SOFA*	108	46	34	30	20	22½	2	17¾	11	92	30	35	14	10	19	3	1	0	-	-	2¾	11¾	7	-	-
9' LUXE RIGHT-ARM RETURN BENCH-SEAT SOFA*	108	46	34	30	20	22½	2	17¾	11	92	30	35	14	10	19	3	1	0	-	-	2¾	11¾	7	-	-
10' CLASSIC LEFT-ARM RETURN BENCH-SEAT SOFA*	120	40	34	30	20	22½	2	17¾	11	103	24	29	13½	10	19	3	1	0	-	-	2¾	11¾	7	-	-
10' CLASSIC RIGHT-ARM RETURN BENCH-SEAT SOFA*	120	40	34	30	20	22½	2	17¾	11	103	24	29	13½	10	19	3	1	0	-	-	2¾	11¾	7	-	-
10' LUXE LEFT-ARM RETURN BENCH-SEAT SOFA*	120	46	34	30	20	22½	2	17¾	11	104	30	35	14	10	19	3	1	0	-	-	2¾	11¾	7	-	-
10' LUXE RIGHT-ARM RETURN BENCH-SEAT SOFA*	120	46	34	30	20	22½	2	17¾	11	104	30	35	14	10	19	3	1	0	-	-	2¾	11¾	7	-	-
PETITE LEFT-ARM CHAISE	29	65	30½	28½	19¾	20¾	1½	16¾	10½	24	54	61	11¾	9¾	18	1	1	0	-	-	1½	10¾	5	-	-
PETITE RIGHT-ARM CHAISE	29	65	30½	28½	19¾	20¾	1½	16¾	10½	24	54	61	11¾	9¾	18	1	1	0	-	-	1½	10¾	5	-	-
CLASSIC LEFT-ARM CHAISE	32	70	34	30	20	22½	2	17¾	11	25	54	61	13½	10	19	1	1	0	-	-	2¾	11¾	7	-	-

\* ALSO AVAILABLE WITH 2 SEAT CUSHIONS



# MAXWELL COLLECTION



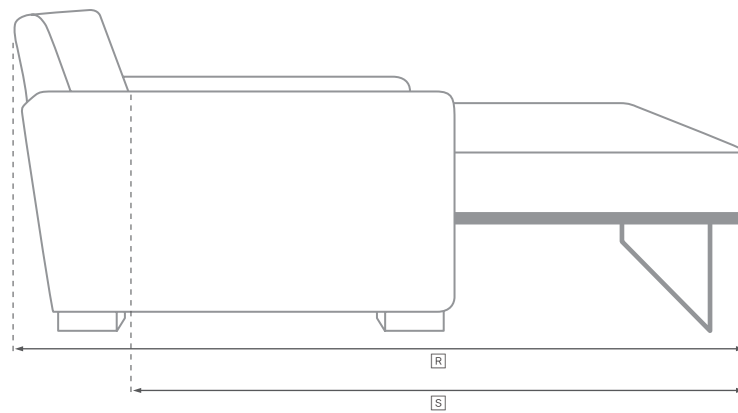
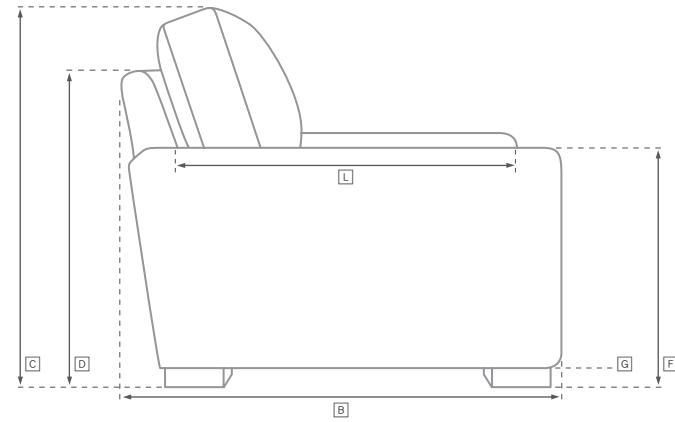
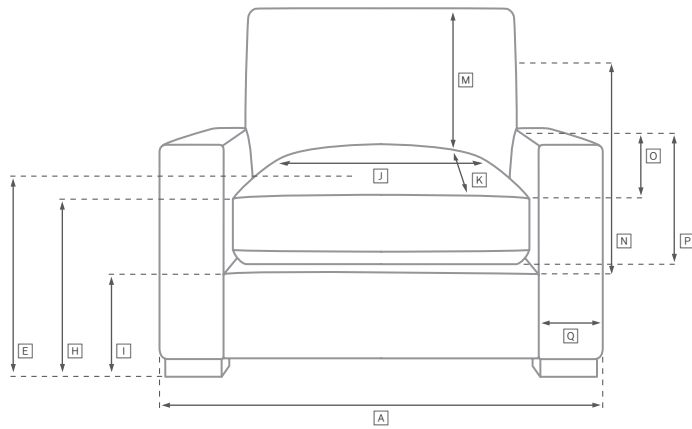
All dimensions are given in inches. See the attached "Dimensions Diagram" sheet for more information on the keys used in this chart.

	A	B	C	D	E	F	G	H	I	J	K	L													
	OVERALL WIDTH	OVERALL DEPTH	OVERALL HEIGHT	FRAME HEIGHT	SEAT HEIGHT	ARM HEIGHT	FOOT HEIGHT	SEAT HEIGHT (FLOOR TO CUSHION SEAM)	SEAT HEIGHT (FLOOR TO FRAME)	INSIDE SEAT WIDTH	INSIDE SEAT DEPTH W/ BACK CUSHION	INSIDE SEAT DEPTH W/O BACK CUSHION	INSIDE BACK HEIGHT W/ SEAT & BACK CUSHIONS	INSIDE BACK HEIGHT W/ SEAT CUSHION	INSIDE BACK HEIGHT W/O SEAT OR BACK CUSHION	# OF BACK CUSHIONS	# OF SEAT CUSHIONS	ACCENT PILLOWS	REGULAR ACCENT PILLOWS DIAMETER	LARGER ACCENT PILLOW DIAMETER	ARM HEIGHT W/ SEAT CUSHION	ARM HEIGHT W/O SEAT CUSHION	ARM WIDTH	SLEEPER DEPTH OVERALL	SLEEPER DEPTH INSIDE
CLASSIC RIGHT-ARM CHAISE	32	70	34	30	20	22¼	2	17¼	11	25	54	61	13½	10	19	1	1		-	-	2¼	11¼	7	-	-
LUXE LEFT-ARM CHAISE	38	70	34	30	20	22¼	2	17¼	11	31	53	61	14	10	19	1	1		-	-	2¼	11¼	7	-	-
LUXE RIGHT-ARM CHAISE	38	70	34	30	20	22¼	2	17¼	11	31	53	61	14	10	19	1	1		-	-	2¼	11¼	7	-	-

# UPHOLSTERY DIMENSIONS DIAGRAM

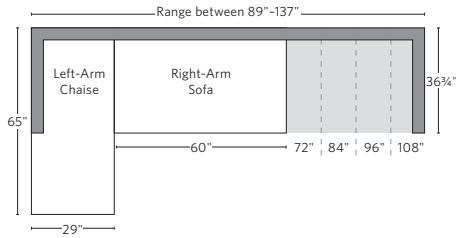
See the "Dimensions Sheet" for the measurements that correspond with the letters below.

RH

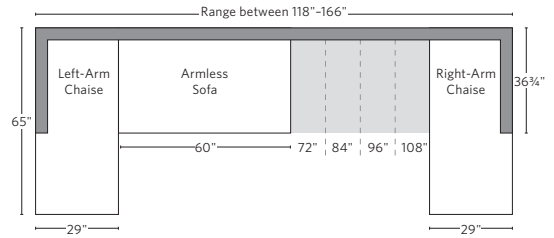


SOFA CHAISE SECTIONAL

Available in left and right-arm configurations.

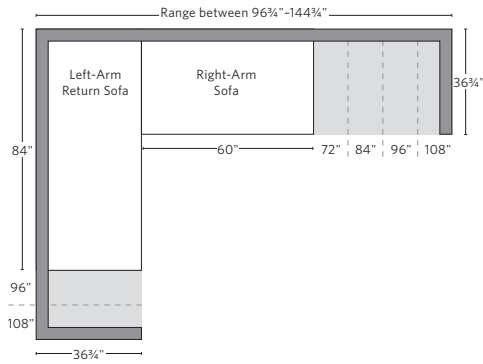


U-CHAISE SECTIONAL



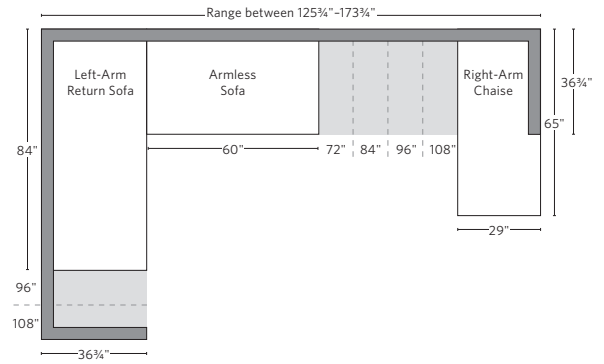
L-SECTIONAL

Available in left and right-arm configurations.

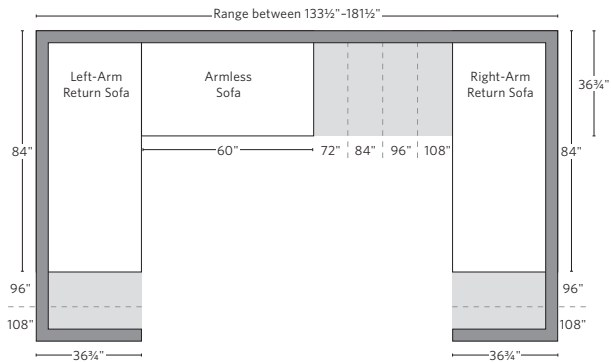


U-SOFA CHAISE SECTIONAL

Available in left and right-arm configurations.



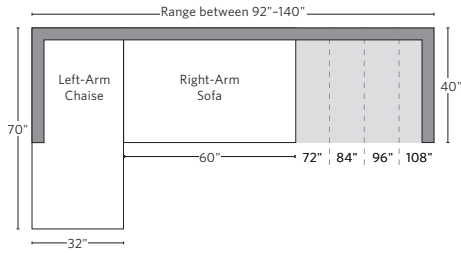
U-SOFA SECTIONAL



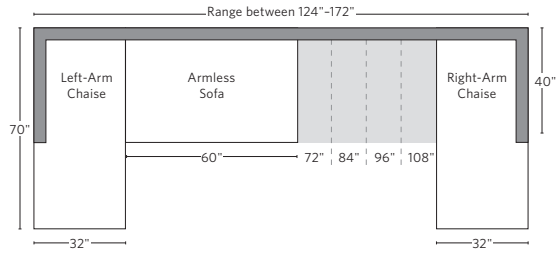
Multiple length options available.

SOFA CHAISE SECTIONAL

Available in left and right-arm configurations.

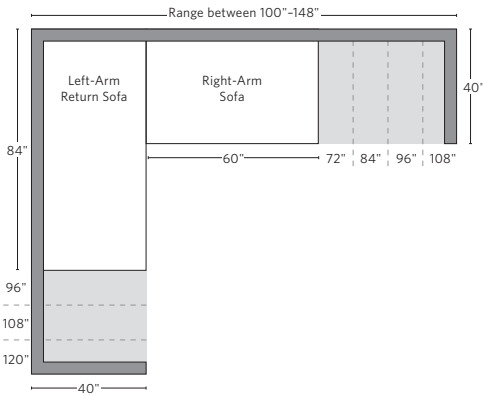


U-CHAISE SECTIONAL



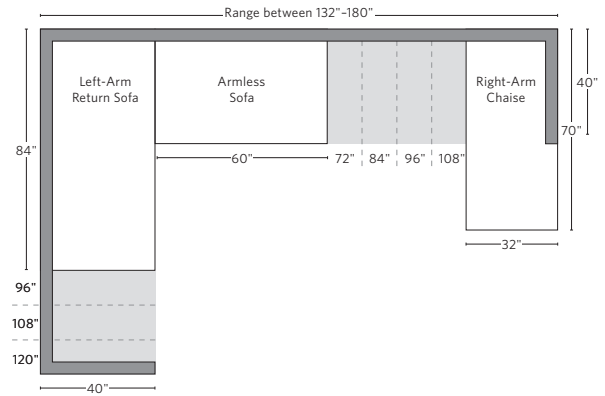
L-SECTIONAL

Available in left and right-arm configurations.

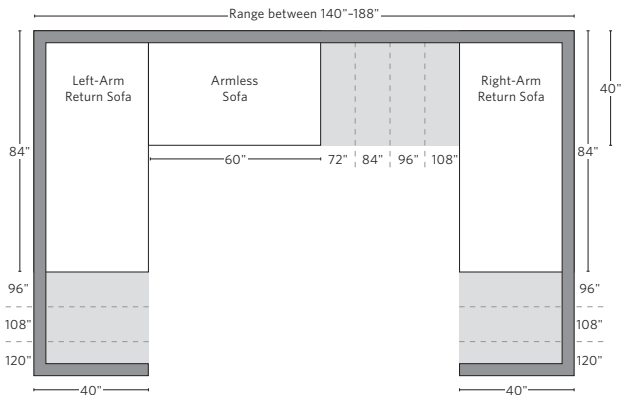


U-SOFA CHAISE SECTIONAL

Available in left and right-arm configurations.



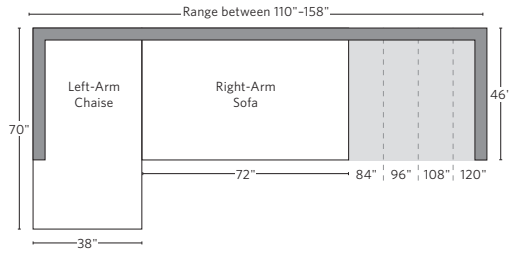
U-SOFA SECTIONAL



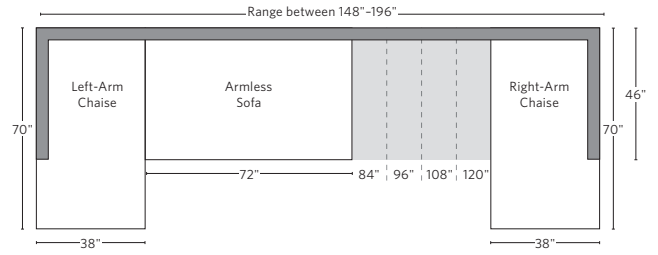
Multiple length options available.

SOFA CHAISE SECTIONAL

Available in left and right-arm configurations.

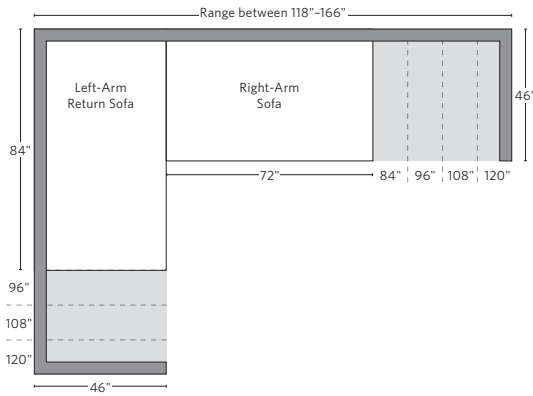


U-CHAISE SECTIONAL



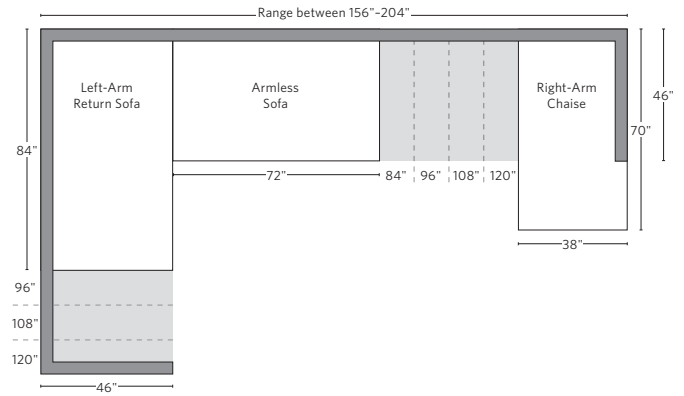
L-SECTIONAL

Available in left and right-arm configurations.

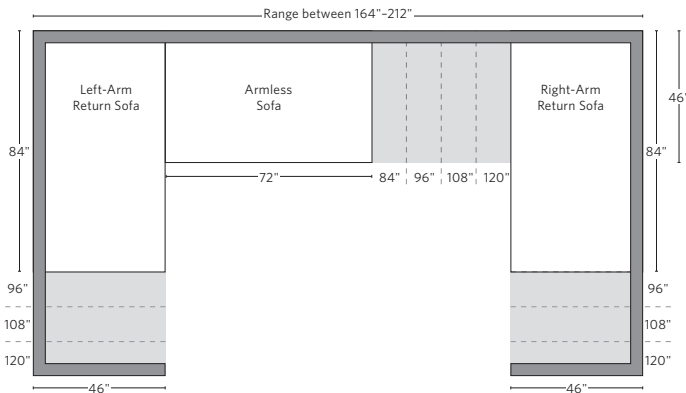


U-SOFA CHAISE SECTIONAL

Available in left and right-arm configurations.



U-SOFA SECTIONAL



Multiple length options available.