

LUGANO COLLECTION

All dimensions are given in inches. See the attached "Dimensions Diagram" sheet for more information on the keys used in this chart.



	A	B	C	D	E	F	G	H	I	J	K	L	M	N						O	P	Q	R	S	
	OVERALL WIDTH	OVERALL DEPTH	OVERALL HEIGHT	FRAME HEIGHT	SEAT HEIGHT	ARM HEIGHT	FOOT HEIGHT	SEAT HEIGHT (FLOOR TO CUSHION SEAM)	SEAT HEIGHT (FLOOR TO FRAME)	INSIDE SEAT WIDTH	INSIDE SEAT DEPTH W/ BACK CUSHION	INSIDE SEAT DEPTH W/O BACK CUSHION	INSIDE BACK HEIGHT W/ SEAT & BACK CUSHIONS	INSIDE BACK HEIGHT W/ SEAT CUSHION	INSIDE BACK HEIGHT W/O SEAT OR BACK CUSHION	# OF BACK CUSHIONS	# OF SEAT CUSHIONS	ACCENT PILLOWS	REGULAR ACCENT PILLOWS DIAMETER	LARGER ACCENT PILLOW DIAMETER	ARM HEIGHT W/ SEAT CUSHION	ARM HEIGHT W/O SEAT CUSHION	ARM WIDTH	SLEEPER DEPTH OVERALL	SLEEPER DEPTH INSIDE
7' CLASSIC SOFA	84	40	32½	23¾	17	23¾	1½	-	9	71½	27 22 w/ Accent	33¾	15¼	6¾	14¾	2	2	2	-	-	6¾	14¾	6¼	-	-
7' LUXE SOFA	84	46	32½	23¾	17	23¾	1½	-	9	66½	32½ 28 w/ Accent	40¼	15¼	6¾	14¾	2	2	2	-	-	6¾	14¾	8¾	-	-
8' CLASSIC SOFA	96	40	32½	23¾	17	23¾	1½	-	9	83½	27 22 w/ Accent	33¾	15¼	6¾	14¾	2	2	2	-	-	6¾	14¾	6¼	-	-
8' LUXE SOFA	96	46	32½	23¾	17	23¾	1½	-	9	78½	32½ 28 w/ Accent	40¼	15¼	6¾	14¾	2	2	2	-	-	6¾	14¾	8¾	-	-
9' CLASSIC SOFA	108	40	32½	23¾	17	23¾	1½	-	9	95½	27 22 w/ Accent	33¾	15¼	6¾	14¾	2	2	2	-	-	6¾	14¾	6¼	-	-
9' LUXE SOFA	108	46	32½	23¾	17	23¾	1½	-	9	90½	32½ 28 w/ Accent	40¼	15¼	6¾	14¾	2	2	2	-	-	6¾	14¾	8¾	-	-
10' CLASSIC SOFA	120	40	32½	23¾	17	23¾	1½	-	9	107½	27 22 w/ Accent	33¾	15¼	6¾	14¾	2	2	2	-	-	6¾	14¾	6¼	-	-
10' LUXE SOFA	120	46	32½	23¾	17	23¾	1½	-	9	102½	32½ 28 w/ Accent	40¼	15¼	6¾	14¾	2	2	2	-	-	6¾	14¾	8¾	-	-
CLASSIC CHAIR	44	40	32½	23¾	17	23¾	1½	-	9	31½	27 22 w/ Accent	33¾	15¼	6¾	14¾	1	1	1	-	-	6¾	14¾	6¼	-	-
LUXE CHAIR	47	46	32½	23¾	17	23¾	1½	-	9	29½	32½ 28 w/ Accent	40¼	15¼	6¾	14¾	1	1	1	-	-	6¾	14¾	8¾	-	-
CLASSIC CORNER CHAIR	40	40	32½	23¾	17	23¾	1½	-	8½	36	27 22 w/ Accent	33¾	15¼	6¾	14¾	2	1	2	-	-	6¾	14¾	-	-	-
LUXE CORNER CHAIR	46	46	32½	23¾	17	23¾	1½	-	8½	40	32½ 28 w/ Accent	40¼	15¼	6¾	14¾	2	1	2	-	-	6¾	14¾	-	-	-
CLASSIC LEFT-ARM CHAIR	40	40	32½	23¾	17	23¾	1½	-	8½	33¾	27 22 w/ Accent	33¾	15¼	6¾	14¾	1	1	1	-	-	6¾	14¾	6¼	-	-
CLASSIC RIGHT-ARM CHAIR	40	40	32½	23¾	17	23¾	1½	-	8½	33¾	27 22 w/ Accent	33¾	15¼	6¾	14¾	1	1	1	-	-	6¾	14¾	6¼	-	-

LUGANO COLLECTION

All dimensions are given in inches. See the attached "Dimensions Diagram" sheet for more information on the keys used in this chart.



	A	B	C	D	E	F	G	H	I	J	K	L	M	N						O	P	Q	R	S	
	OVERALL WIDTH	OVERALL DEPTH	OVERALL HEIGHT	FRAME HEIGHT	SEAT HEIGHT	ARM HEIGHT	FOOT HEIGHT	SEAT HEIGHT (FLOOR TO CUSHION SEAM)	SEAT HEIGHT (FLOOR TO FRAME)	INSIDE SEAT WIDTH	INSIDE SEAT DEPTH W/ BACK CUSHION	INSIDE SEAT DEPTH W/O BACK CUSHION	INSIDE BACK HEIGHT W/ SEAT & BACK CUSHIONS	INSIDE BACK HEIGHT W/ SEAT CUSHION	INSIDE BACK HEIGHT W/O SEAT OR BACK CUSHION	# OF BACK CUSHIONS	# OF SEAT CUSHIONS	ACCENT PILLOWS	REGULAR ACCENT PILLOWS DIAMETER	LARGER ACCENT PILLOW DIAMETER	ARM HEIGHT W/ SEAT CUSHION	ARM HEIGHT W/O SEAT CUSHION	ARM WIDTH	SLEEPER DEPTH OVERALL	SLEEPER DEPTH INSIDE
LUXE LEFT-ARM CHAIR	48	46	32½	23¾	17	23¾	1½	-	8½	39¾	32½ 28 w/ Accent	40¼	15¼	6¾	14¾	1	1	1	-	-	6¾	14¾	8¾	-	-
LUXE RIGHT-ARM CHAIR	48	46	32½	23¾	17	23¾	1½	-	8½	39¾	32½ 28 w/ Accent	40¼	15¼	6¾	14¾	1	1	1	-	-	6¾	14¾	8¾	-	-
CLASSIC LEFT-ARM CHAISE	40	59½	32½	23¾	17	23¾	1½	-	8½	33¾	27 22 w/ Accent	62	15¼	6¾	14¾	1	1	1	-	-	6¾	14¾	6¾	-	-
CLASSIC RIGHT-ARM CHAISE	40	59½	32½	23¾	17	23¾	1½	-	8½	33¾	27 22 w/ Accent	62	15¼	6¾	14¾	1	1	1	-	-	6¾	14¾	6¾	-	-
LUXE LEFT-ARM CHAISE	48	65¾	32½	23¾	17	23¾	1½	-	8½	43½	32½ 28 w/ Accent	61	15¼	6¾	14¾	1	1	1	-	-	6¾	14¾	8¾	-	-
LUXE RIGHT-ARM CHAISE	48	65¾	32½	23¾	17	23¾	1½	-	8½	39¾	32½ 28 w/ Accent	61	15¼	6¾	14¾	1	1	1	-	-	6¾	14¾	8¾	-	-
CLASSIC END-OF-SECTIONAL OTTOMAN	33¾	33¾	17	17	17	-	1½	-	9	33¾	-	-	-	-	-	0	1	0	-	-	-	-	-	-	-
LUXE END-OF-SECTIONAL OTTOMAN	39¾	39¾	17	17	17	-	1½	-	9	39¾	-	-	-	-	-	0	1	0	-	-	-	-	-	-	-
6' CLASSIC ARMLESS SOFA	72	40	32½	23¾	17	-	1½	-	8½	72	27 22 w/ Accent	33¾	15¼	6¾	14¾	2	2	2	-	-	-	-	-	-	-
6' LUXE ARMLESS SOFA	72	46	32½	23¾	17	-	1½	-	8½	72	32½ 28 w/ Accent	40¼	15¼	6¾	14¾	2	2	2	-	-	-	-	-	-	-
7' CLASSIC ARMLESS SOFA	84	40	32½	23¾	17	-	1½	-	8½	84	27 22 w/ Accent	33¾	15¼	6¾	14¾	2	2	2	-	-	-	-	-	-	-
7' LUXE ARMLESS SOFA	84	46	32½	23¾	17	-	1½	-	8½	84	32½ 28 w/ Accent	40¼	15¼	6¾	14¾	2	2	2	-	-	-	-	-	-	-
8' CLASSIC ARMLESS SOFA	96	40	32½	23¾	17	-	1½	-	8½	96	27 22 w/ Accent	33¾	15¼	6¾	14¾	2	2	2	-	-	-	-	-	-	-
8' LUXE ARMLESS SOFA	96	46	32½	23¾	17	-	1½	-	8½	96	32½ 28 w/ Accent	40¼	15¼	6¾	14¾	2	2	2	-	-	-	-	-	-	-

LUGANO COLLECTION

All dimensions are given in inches. See the attached "Dimensions Diagram" sheet for more information on the keys used in this chart.



	A	B	C	D	E	F	G	H	I	J	K	L	M	N						O	P	Q	R	S	
	OVERALL WIDTH	OVERALL DEPTH	OVERALL HEIGHT	FRAME HEIGHT	SEAT HEIGHT	ARM HEIGHT	FOOT HEIGHT	SEAT HEIGHT (FLOOR TO CUSHION SEAM)	SEAT HEIGHT (FLOOR TO FRAME)	INSIDE SEAT WIDTH	INSIDE SEAT DEPTH W/ BACK CUSHION	INSIDE SEAT DEPTH W/O BACK CUSHION	INSIDE BACK HEIGHT W/ SEAT & BACK CUSHIONS	INSIDE BACK HEIGHT W/ SEAT CUSHION	INSIDE BACK HEIGHT W/O SEAT OR BACK CUSHION	# OF BACK CUSHIONS	# OF SEAT CUSHIONS	ACCENT PILLOWS	REGULAR ACCENT PILLOWS DIAMETER	LARGER ACCENT PILLOW DIAMETER	ARM HEIGHT W/ SEAT CUSHION	ARM HEIGHT W/O SEAT CUSHION	ARM WIDTH	SLEEPER DEPTH OVERALL	SLEEPER DEPTH INSIDE
7' CLASSIC LEFT-ARM SOFA	84	40	32½	23¾	17	23¾	1½	-	8½	77¾	27 22 w/ Accent	33¾	15¼	6¾	14¾	2	2	2	-	-	6¾	14¾	6¼	-	-
7' CLASSIC RIGHT-ARM SOFA	84	40	32½	23¾	17	23¾	1½	-	8½	77¾	27 22 w/ Accent	33¾	15¼	6¾	14¾	2	2	2	-	-	6¾	14¾	6¼	-	-
7' LUXE LEFT-ARM SOFA	84	46	32½	23¾	17	23¾	1½	-	8½	75¼	32½ 28 w/ Accent	40¼	15¼	6¾	14¾	2	2	2	-	-	6¾	14¾	8¾	-	-
7' LUXE RIGHT-ARM SOFA	84	46	32½	23¾	17	23¾	1½	-	8½	75¼	32½ 28 w/ Accent	40¼	15¼	6¾	14¾	2	2	2	-	-	6¾	14¾	8¾	-	-
8' CLASSIC LEFT-ARM SOFA	96	40	32½	23¾	17	23¾	1½	-	8½	89¾	27 22 w/ Accent	33¾	15¼	6¾	14¾	2	2	2	-	-	6¾	14¾	6¼	-	-
8' CLASSIC RIGHT-ARM SOFA	96	40	32½	23¾	17	23¾	1½	-	8½	89¾	27 22 w/ Accent	33¾	15¼	6¾	14¾	2	2	2	-	-	6¾	14¾	6¼	-	-
8' LUXE LEFT-ARM SOFA	96	46	32½	23¾	17	23¾	1½	-	8½	87¼	32½ 28 w/ Accent	40¼	15¼	6¾	14¾	2	2	2	-	-	6¾	14¾	8¾	-	-
8' LUXE RIGHT-ARM SOFA	96	46	32½	23¾	17	23¾	1½	-	8½	87¼	32½ 28 w/ Accent	40¼	15¼	6¾	14¾	2	2	2	-	-	6¾	14¾	8¾	-	-
9' CLASSIC LEFT-ARM SOFA	108	40	32½	23¾	17	23¾	1½	-	8½	101¼	27 22 w/ Accent	33¾	15¼	6¾	14¾	2	2	2	-	-	6¾	14¾	6¼	-	-
9' CLASSIC RIGHT-ARM SOFA	108	40	32½	23¾	17	23¾	1½	-	8½	101¼	27 22 w/ Accent	33¾	15¼	6¾	14¾	2	2	2	-	-	6¾	14¾	6¼	-	-
9' LUXE LEFT-ARM SOFA	108	46	32½	23¾	17	23¾	1½	-	8½	99¼	32½ 28 w/ Accent	40¼	15¼	6¾	14¾	2	2	2	-	-	6¾	14¾	8¾	-	-
9' LUXE RIGHT-ARM SOFA	108	46	32½	23¾	17	23¾	1½	-	8½	99¼	32½ 28 w/ Accent	40¼	15¼	6¾	14¾	2	2	2	-	-	6¾	14¾	8¾	-	-
10' LUXE LEFT-ARM SOFA	120	46	32½	23¾	17	23¾	1½	-	8½	111¼	32½ 28 w/ Accent	40¼	15¼	6¾	14¾	2	2	2	-	-	6¾	14¾	8¾	-	-
10' LUXE RIGHT-ARM SOFA	120	46	32½	23¾	17	23¾	1½	-	8½	111¼	32½ 28 w/ Accent	40¼	15¼	6¾	14¾	2	2	2	-	-	6¾	14¾	8¾	-	-

LUGANO COLLECTION

All dimensions are given in inches. See the attached "Dimensions Diagram" sheet for more information on the keys used in this chart.

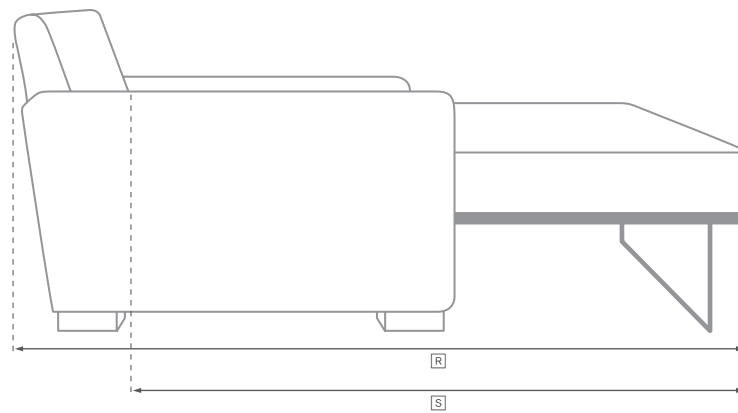
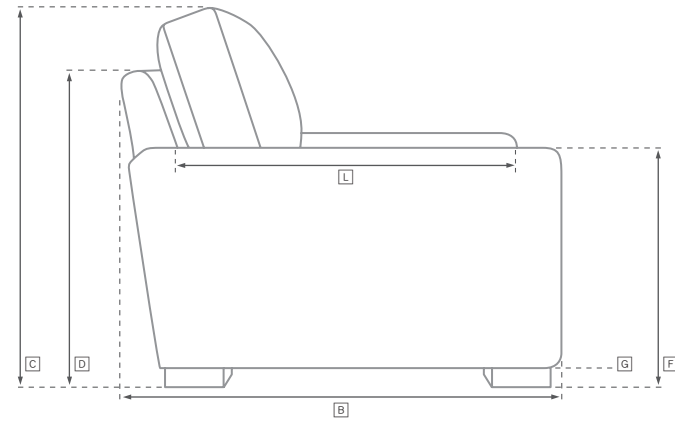
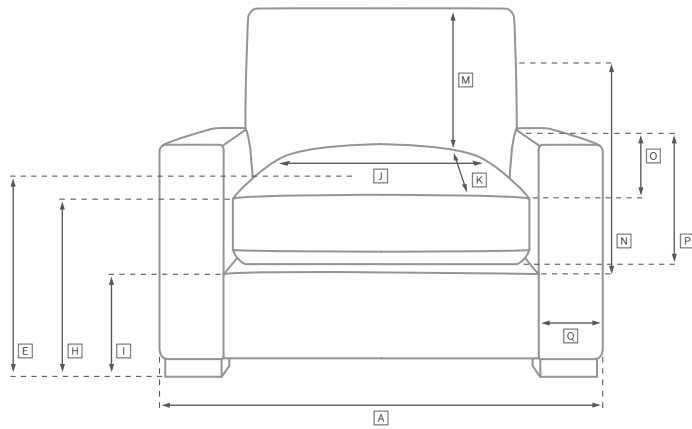


	A	B	C	D	E	F	G	H	I	J	K	L	M	N						O	P	Q	R	S	
	OVERALL WIDTH	OVERALL DEPTH	OVERALL HEIGHT	FRAME HEIGHT	SEAT HEIGHT	ARM HEIGHT	FOOT HEIGHT	SEAT HEIGHT (FLOOR TO CUSHION SEAM)	SEAT HEIGHT (FLOOR TO FRAME)	INSIDE SEAT WIDTH	INSIDE SEAT DEPTH W/ BACK CUSHION	INSIDE SEAT DEPTH W/O BACK CUSHION	INSIDE BACK HEIGHT W/ SEAT & BACK CUSHIONS	INSIDE BACK HEIGHT W/ SEAT CUSHION	INSIDE BACK HEIGHT W/O SEAT OR BACK CUSHION	# OF BACK CUSHIONS	# OF SEAT CUSHIONS	ACCENT PILLOWS	REGULAR ACCENT PILLOWS DIAMETER	LARGER ACCENT PILLOW DIAMETER	ARM HEIGHT W/ SEAT CUSHION	ARM HEIGHT W/O SEAT CUSHION	ARM WIDTH	SLEEPER DEPTH OVERALL	SLEEPER DEPTH INSIDE
CLASSIC MODULAR ARMLESS CHAIR	33¾	40	32¼	23¾	17	-	1½	-	9	33¾	27 22 w/ Accent	33¾	15¼	6¾	14¾	1	1	1	-	-	-	-	-	-	-
LUXE MODULAR ARMLESS CHAIR	39¾	46	32¼	23¾	17	-	1½	-	9	39¾	32½ 28 w/ Accent	40¼	15¼	6¾	14¾	1	1	1	-	-	-	-	-	-	-
CLASSIC MODULAR CORNER CHAIR	40	40	32¼	23¾	17	-	1½	-	9	30	27 22 w/ Accent	33¾	15¼	6¾	14¾	2	1	2	-	-	-	-	-	-	-
LUXE MODULAR CORNER CHAIR	46	46	32¼	23¾	17	-	1½	-	9	33	32½ 28 w/ Accent	40¼	15¼	6¾	14¾	2	1	2	-	-	-	-	-	-	-
CLASSIC MODULAR LEFT-ARM CHAIR	40	40	32¼	23¾	17	23¾	1½	-	9	33¾	27 22 w/ Accent	33¾	15¼	6¾	14¾	1	1	1	-	-	6¾	14¾	6¾	-	-
LUXE MODULAR LEFT-ARM CHAIR	48	46	32¼	23¾	17	23¾	1½	-	9	39¾	32½ 28 w/ Accent	40¼	15¼	6¾	14¾	1	1	1	-	-	6¾	14¾	8¾	-	-
CLASSIC MODULAR RIGHT-ARM CHAIR	40	40	32¼	23¾	17	23¾	1½	-	9	33¾	27 22 w/ Accent	33¾	15¼	6¾	14¾	1	1	1	-	-	6¾	14¾	6¾	-	-
LUXE MODULAR RIGHT-ARM CHAIR	48	46	32¼	23¾	17	23¾	1½	-	9	39¾	32½ 28 w/ Accent	40¼	15¼	6¾	14¾	1	1	1	-	-	6¾	14¾	8¾	-	-

UPHOLSTERY DIMENSIONS DIAGRAM

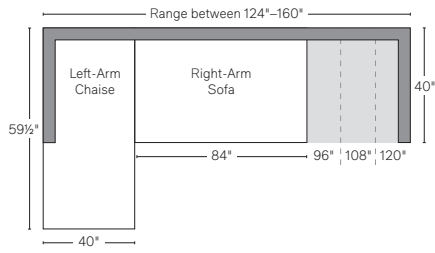
See the "Dimensions Sheet" for the measurements that correspond with the letters below.

RH

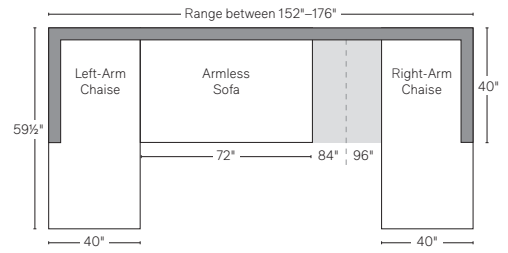


SOFA CHAISE SECTIONAL

Available in left- and right-arm configurations.



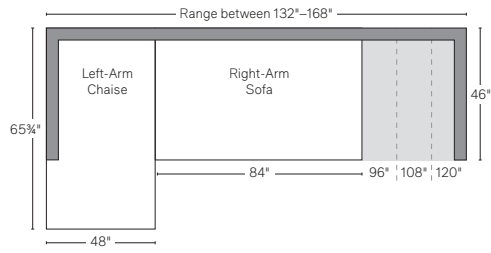
U-CHAISE SECTIONAL



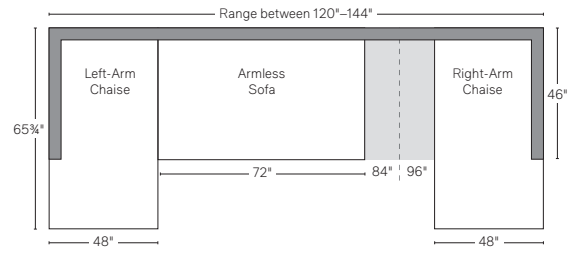
Multiple length options available.

SOFA CHAISE SECTIONAL

Available in left- and right-arm configurations.

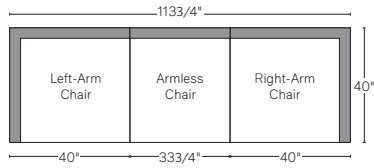


U-CHAISE SECTIONAL



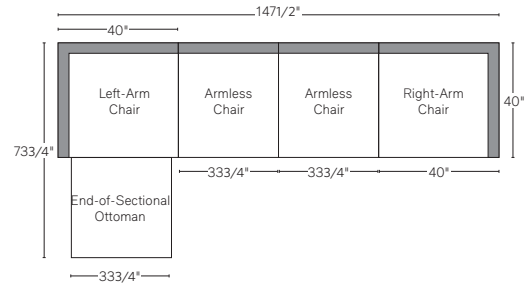
Multiple length options available.

MODULAR SOFA



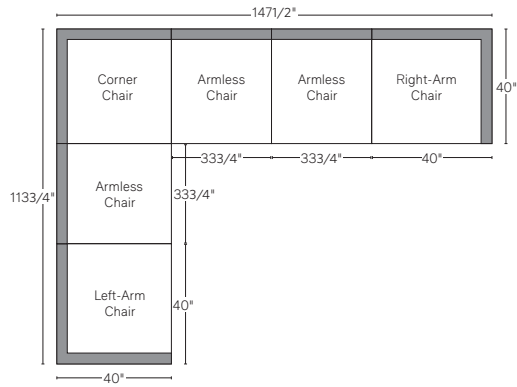
MODULAR SOFA CHAISE

Available in left- and right-arm configurations.

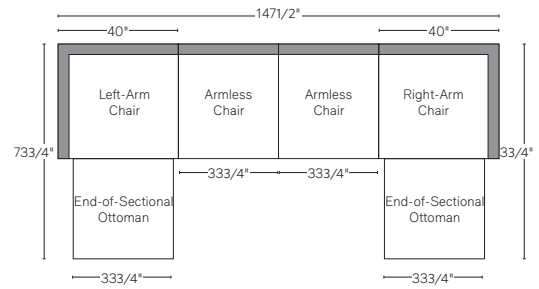


MODULAR L-SECTIONAL

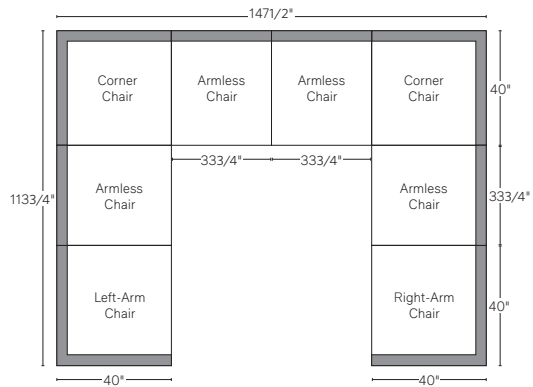
Available in left- and right-arm configurations.



MODULAR U-CHAISE SECTIONAL

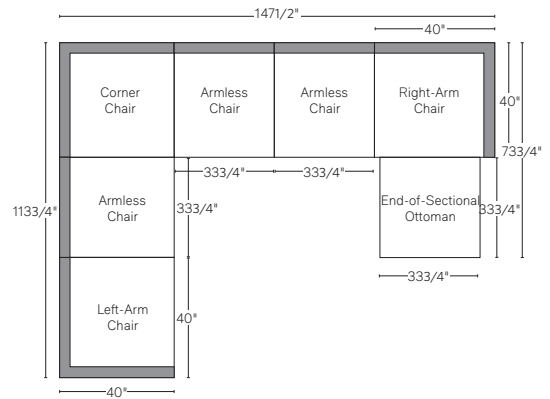


MODULAR U-SOFA SECTIONAL

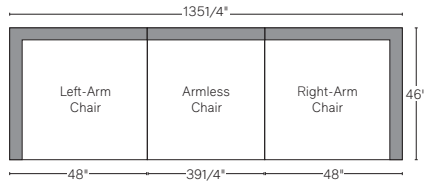


MODULAR U-SOFA CHAISE SECTIONAL

Available in left- and right-arm configurations.

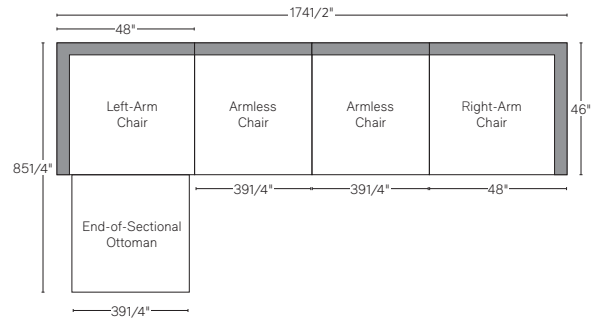


MODULAR SOFA



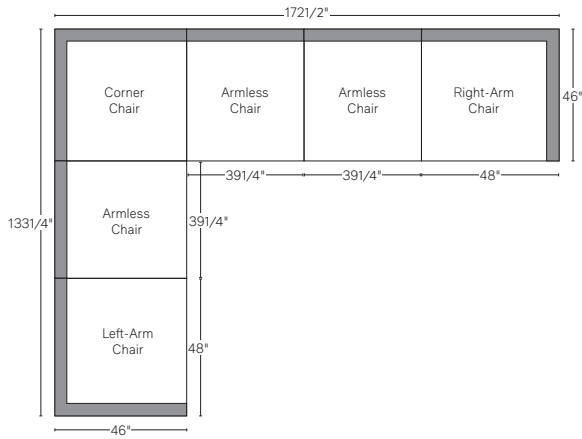
MODULAR SOFA CHAISE

Available in left- and right-arm configurations.

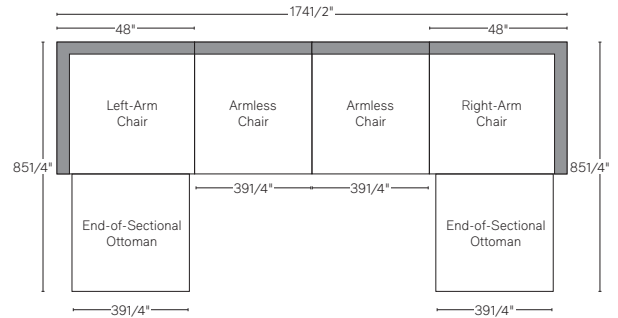


MODULAR L-SECTIONAL

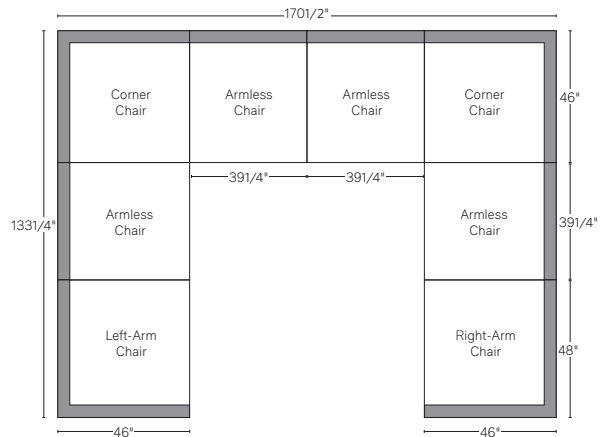
Available in left- and right-arm configurations.



MODULAR U-CHAISE SECTIONAL



MODULAR U-SOFA SECTIONAL



MODULAR U-SOFA CHAISE SECTIONAL

Available in left- and right-arm configurations.

