

KENSINGTON COLLECTION



All dimensions are given in inches. See the attached "Dimensions Diagram" sheet for more information on the keys used in this chart.

	OVERALL WIDTH A	OVERALL DEPTH B	OVERALL HEIGHT C	FRAME HEIGHT D	SEAT HEIGHT E	ARM HEIGHT F	FOOT HEIGHT G	SEAT HEIGHT (FLOOR TO CUSHION SEAM) H	SEAT HEIGHT (FLOOR TO FRAME) I	INSIDE SEAT WIDTH J	INSIDE SEAT DEPTH W/ BACK CUSHION K	INSIDE SEAT DEPTH W/O BACK CUSHION L	INSIDE BACK HEIGHT W/ SEAT & BACK CUSHIONS M	INSIDE BACK HEIGHT W/ SEAT CUSHION N	# OF BACK CUSHIONS	# OF SEAT CUSHIONS	ACCENT PILLOWS	ARM HEIGHT W/ SEAT CUSHION O	ARM HEIGHT W/O SEAT CUSHION P	ARM WIDTH Q	SLEEPER DEPTH OVERALL R	SLEEPER DEPTH INSIDE S	
7' PETITE SOFA	84	33¾	29½	29½	19¾	29½	4½	18¾	12	65	24½	24½	9¾	9¾	17½	-	2	-	9¾	17½	9½	-	-
7' CLASSIC SOFA	84	38	30¾	30¾	20¾	30¾	4½	19	12¾	58	24½	24½	10½	10½	18½	-	2	-	10½	18½	13	-	-
7' LUXE SOFA	84	44	30¾	30¾	20¾	30¾	4½	19	12¾	58	29½	29½	10½	10½	18½	-	2	-	10½	18½	13	-	-
8' PETITE SOFA	96	33¾	29½	29½	19¾	29½	4½	18¾	12	77	24½	24½	9¾	9¾	17½	-	2	-	9¾	17½	9½	-	-
8' CLASSIC SOFA	96	38	30¾	30¾	20¾	30¾	4½	19	12¾	70	24½	24½	10½	10½	18½	-	2	-	10½	18½	13	-	-
8' LUXE SOFA	96	44	30¾	30¾	20¾	30¾	4½	19	12¾	70	29½	29½	10½	10½	18½	-	2	-	10½	18½	13	-	-
9' PETITE SOFA	108	33¾	29½	29½	19¾	29½	4½	18¾	12	89	24½	24½	9¾	9¾	17½	-	2	-	9¾	17½	9½	-	-
9' CLASSIC SOFA	108	38	30¾	30¾	20¾	30¾	4½	19	12¾	82	24½	24½	10½	10½	18½	-	2	-	10½	18½	13	-	-
9' LUXE SOFA	108	44	30¾	30¾	20¾	30¾	4½	19	12¾	82	29½	29½	10½	10½	18½	-	2	-	10½	18½	13	-	-
10' CLASSIC SOFA	120	38	30¾	30¾	20¾	30¾	4½	19	12¾	94	24½	24½	10½	10½	18½	-	3	-	10½	18½	13	-	-
10' LUXE SOFA	120	44	30¾	30¾	20¾	30¾	4½	19	12¾	94	29½	29½	10½	10½	18½	-	3	-	10½	18½	13	-	-
163" SOFA	163	47	30¾	30¾	20¾	30¾	4½	19	12¾	137	29½	29½	10½	10½	18½	-	4	-	10½	18½	13	-	-
PETITE CHAIR	43	33¾	29½	29½	19¾	29½	4½	18¾	12	24	24½	24½	9¾	9¾	17½	-	1	-	9¾	17½	9½	-	-
CLASSIC CHAIR	49	38	30¾	30¾	20¾	30¾	4½	19	12¾	23	24½	24½	10½	10½	18½	-	1	-	10½	18½	13	-	-

KENSINGTON COLLECTION



All dimensions are given in inches. See the attached "Dimensions Diagram" sheet for more information on the keys used in this chart.

	OVERALL WIDTH A	OVERALL DEPTH B	OVERALL HEIGHT C	FRAME HEIGHT D	SEAT HEIGHT E	ARM HEIGHT F	FOOT HEIGHT G	SEAT HEIGHT (FLOOR TO CUSHION SEAM) H	SEAT HEIGHT (FLOOR TO FRAME) I	INSIDE SEAT WIDTH J	INSIDE SEAT DEPTH W/ BACK CUSHION K	INSIDE SEAT DEPTH W/O BACK CUSHION L	INSIDE BACK HEIGHT W/ SEAT & BACK CUSHIONS M	INSIDE BACK HEIGHT W/ SEAT CUSHION N	# OF BACK CUSHIONS	# OF SEAT CUSHIONS	ACCENT PILLOWS	ARM HEIGHT W/ SEAT CUSHION O	ARM HEIGHT W/O SEAT CUSHION P	ARM WIDTH Q	SLEEPER DEPTH OVERALL R	SLEEPER DEPTH INSIDE S	
LUXE CHAIR	49	44	30¾	30¾	20¾	30¾	4½	19	12¾	23	29½	29½	10½	10½	18½	-	1	-	10½	18½	13	-	-
CLASSIC SWIVEL CHAIR	49	38	30¾	30¾	20¾	30¾	-	19	12¾	23	24½	24½	10½	10½	18½	-	1	-	10½	18½	13	-	-
LUXE SWIVEL CHAIR	49	44	30¾	30¾	20¾	30¾	4½	19	12¾	23	29½	29½	10½	10½	18½	-	1	-	10½	18½	13	-	-
PETITE OTTOMAN	36	25	19	19	19	-	4½	18	12	36	-	-	-	-	-	-	1	-	-	-	-	-	-
OTTOMAN	39	28	20	20	20	-	4½	18	12¾	39	-	-	-	-	-	-	1	-	-	-	-	-	-
COFFEE OTTOMAN	60	36	20	20	20	-	4½	18	12¾	60	-	-	-	-	-	-	1	-	-	-	-	-	-
DAYBED	108	60	30¾	30¾	20¾	30¾	4½	19	12¾	82	45½	45½	10½	10½	18½	-	2	-	10½	18½	13	-	-
5' PETITE ARMLESS SOFA	60	33¾	29½	29½	19¾	-	4½	18¾	12	60	24½	24½	9¾	9¾	17½	-	1	-	-	-	-	-	-
5' CLASSIC ARMLESS SOFA	60	38	30¾	30¾	20¾	-	4½	19	12¾	60	24½	24½	10½	10½	18½	-	1	-	-	-	-	-	-
6' PETITE ARMLESS SOFA	72	33¾	29½	29½	19¾	-	4½	18¾	12	72	24½	24½	9¾	9¾	17½	-	2	-	-	-	-	-	-
6' CLASSIC ARMLESS SOFA	72	38	30¾	30¾	20¾	-	4½	19	12¾	72	24½	24½	10½	10½	18½	-	2	-	-	-	-	-	-
6' LUXE ARMLESS SOFA	72	44	30¾	30¾	20¾	-	4½	19	12¾	72	29½	29½	10½	10½	18½	-	2	-	-	-	-	-	-
7' PETITE ARMLESS SOFA	84	33¾	29½	29½	19¾	-	4½	18¾	12	84	24½	24½	9¾	9¾	17½	-	3	-	-	-	-	-	-
7' CLASSIC ARMLESS SOFA	84	38	30¾	30¾	20¾	-	4½	19	12¾	84	24½	24½	10½	10½	18½	-	3	-	-	-	-	-	-

KENSINGTON COLLECTION



All dimensions are given in inches. See the attached "Dimensions Diagram" sheet for more information on the keys used in this chart.

	OVERALL WIDTH A	OVERALL DEPTH B	OVERALL HEIGHT C	FRAME HEIGHT D	SEAT HEIGHT E	ARM HEIGHT F	FOOT HEIGHT G	SEAT HEIGHT (FLOOR TO CUSHION SEAM) H	SEAT HEIGHT (FLOOR TO FRAME) I	INSIDE SEAT WIDTH J	INSIDE SEAT DEPTH W/ BACK CUSHION K	INSIDE SEAT DEPTH W/O BACK CUSHION L	INSIDE BACK HEIGHT W/ SEAT & BACK CUSHIONS M	INSIDE BACK HEIGHT W/ SEAT CUSHION N	# OF BACK CUSHIONS	# OF SEAT CUSHIONS	ACCENT PILLOWS	ARM HEIGHT W/ SEAT CUSHION O	ARM HEIGHT W/O SEAT CUSHION P	ARM WIDTH Q	SLEEPER DEPTH OVERALL R	SLEEPER DEPTH INSIDE S	
7' LUXE ARMLESS SOFA	84	44	30¾	30¾	20¾	-	4½	19	12¾	84	29½	29½	10½	10½	18½	-	3	-	-	-	-	-	-
8' PETITE ARMLESS SOFA	96	33¾	29½	29½	19¾	-	4½	18¾	12	96	24½	24½	9¾	9¾	17½	-	3	-	-	-	-	-	-
8' CLASSIC ARMLESS SOFA	96	38	30¾	30¾	20¾	-	4½	19	12¾	96	24½	24½	10½	10½	18½	-	3	-	-	-	-	-	-
8' LUXE ARMLESS SOFA	96	44	30¾	30¾	20¾	-	4½	19	12¾	96	29½	29½	10½	10½	18½	-	3	-	-	-	-	-	-
9' PETITE ARMLESS SOFA	108	33¾	29½	29½	19¾	-	4½	18¾	12	108	24½	24½	9¾	9¾	17½	-	3	-	-	-	-	-	-
9' CLASSIC ARMLESS SOFA	108	38	30¾	30¾	20¾	-	4½	19	12¾	108	24½	24½	10½	10½	18½	-	3	-	-	-	-	-	-
9' LUXE ARMLESS SOFA	108	44	30¾	30¾	20¾	-	4½	19	12¾	108	29½	29½	10½	10½	18½	-	3	-	-	-	-	-	-
10' CLASSIC ARMLESS SOFA	120	38	30¾	30¾	20¾	-	4½	19	12¾	120	24½	24½	10½	10½	18½	-	4	-	-	-	-	-	-
10' LUXE ARMLESS SOFA	120	44	30¾	30¾	20¾	-	4½	19	12¾	120	29½	29½	10½	10½	18½	-	4	-	-	-	-	-	-
7' PETITE LEFT-ARM SOFA	84	33¾	29½	29½	19¾	29½	4½	18¾	12	74½	24½	24½	9¾	9¾	17½	-	2	-	9¾	17½	9½	-	-
7' PETITE RIGHT-ARM SOFA	84	33¾	29½	29½	19¾	29½	4½	18¾	12	74½	24½	24½	9¾	9¾	17½	-	2	-	9¾	17½	9½	-	-
7' CLASSIC LEFT-ARM SOFA	84	38	30¾	30¾	20¾	30¾	4½	19	12¾	71	24½	24½	10½	10½	18½	-	2	-	10½	18½	13	-	-
7' CLASSIC RIGHT-ARM SOFA	84	38	30¾	30¾	20¾	30¾	4½	19	12¾	71	24½	24½	10½	10½	18½	-	2	-	10½	18½	13	-	-
7' LUXE LEFT-ARM SOFA	84	44	30¾	30¾	20¾	30¾	4½	19	12¾	71	29½	29½	10½	10½	18½	-	2	-	10½	18½	13	-	-

KENSINGTON COLLECTION



All dimensions are given in inches. See the attached "Dimensions Diagram" sheet for more information on the keys used in this chart.

	OVERALL WIDTH A	OVERALL DEPTH B	OVERALL HEIGHT C	FRAME HEIGHT D	SEAT HEIGHT E	ARM HEIGHT F	FOOT HEIGHT G	SEAT HEIGHT (FLOOR TO CUSHION SEAM) H	SEAT HEIGHT (FLOOR TO FRAME) I	INSIDE SEAT WIDTH J	INSIDE SEAT DEPTH W/ BACK CUSHION K	INSIDE SEAT DEPTH W/O BACK CUSHION L	INSIDE BACK HEIGHT W/ SEAT & BACK CUSHIONS M	INSIDE BACK HEIGHT W/ SEAT CUSHION N	# OF BACK CUSHIONS	# OF SEAT CUSHIONS	ACCENT PILLOWS	ARM HEIGHT W/ SEAT CUSHION O	ARM HEIGHT W/O SEAT CUSHION P	ARM WIDTH Q	SLEEPER DEPTH OVERALL R	SLEEPER DEPTH INSIDE S	
7' LUXE RIGHT-ARM SOFA	84	44	30¾	30¾	20¾	30¾	4½	19	12¾	71	29½	29½	10½	10½	18½	-	2	-	10½	18½	13	-	-
8' PETITE LEFT-ARM SOFA	96	33¾	29½	29½	19¾	29½	4½	18¾	12	86½	24½	24½	9¾	9¾	17½	-	2	-	9¾	17½	9½	-	-
8' PETITE RIGHT-ARM SOFA	96	33¾	29½	29½	19¾	29½	4½	18¾	12	86½	24½	24½	9¾	9¾	17½	-	2	-	9¾	17½	9½	-	-
8' CLASSIC LEFT-ARM SOFA	96	38	30¾	30¾	20¾	30¾	4½	19	12¾	83	24½	24½	10½	10½	18½	-	2	-	10½	18½	13	-	-
8' CLASSIC RIGHT-ARM SOFA	96	38	30¾	30¾	20¾	30¾	4½	19	12¾	83	24½	24½	10½	10½	18½	-	2	-	10½	18½	13	-	-
8' LUXE LEFT-ARM SOFA	96	44	30¾	30¾	20¾	30¾	4½	19	12¾	83	29½	29½	10½	10½	18½	-	2	-	10½	18½	13	-	-
8' LUXE RIGHT-ARM SOFA	96	44	30¾	30¾	20¾	30¾	4½	19	12¾	83	29½	29½	10½	10½	18½	-	2	-	10½	18½	13	-	-
9' PETITE LEFT-ARM SOFA	108	33¾	29½	29½	19¾	29½	4½	18¾	12	98½	24½	24½	9¾	9¾	17½	-	3	-	9¾	17½	9½	-	-
9' PETITE RIGHT-ARM SOFA	108	33¾	29½	29½	19¾	29½	4½	18¾	12	98½	24½	24½	9¾	9¾	17½	-	3	-	9¾	17½	9½	-	-
9' CLASSIC LEFT-ARM SOFA	108	38	30¾	30¾	20¾	30¾	4½	19	12¾	95	24½	24½	10½	10½	18½	-	3	-	10½	18½	13	-	-
9' CLASSIC RIGHT-ARM SOFA	108	38	30¾	30¾	20¾	30¾	4½	19	12¾	95	24½	24½	10½	10½	18½	-	3	-	10½	18½	13	-	-
9' LUXE LEFT-ARM SOFA	108	44	30¾	30¾	20¾	30¾	4½	19	12¾	95	29½	29½	10½	10½	18½	-	3	-	10½	18½	13	-	-
9' LUXE RIGHT-ARM SOFA	108	44	30¾	30¾	20¾	30¾	4½	19	12¾	95	29½	29½	10½	10½	18½	-	3	-	10½	18½	13	-	-
10' CLASSIC LEFT-ARM SOFA	120	38	30¾	30¾	20¾	30¾	4½	19	12¾	107	24½	24½	10½	10½	18½	-	3	-	10½	18½	13	-	-

KENSINGTON COLLECTION



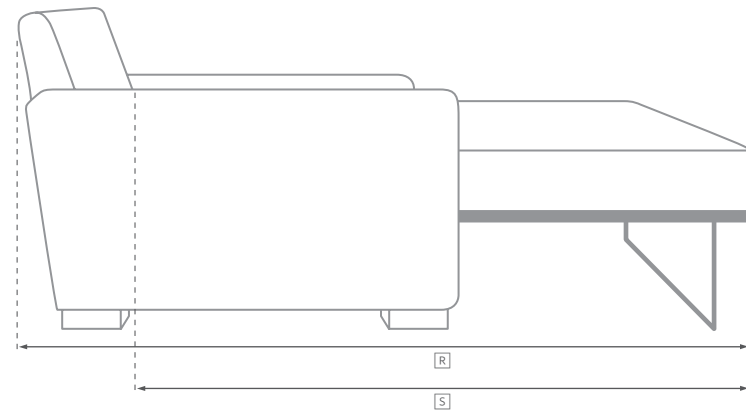
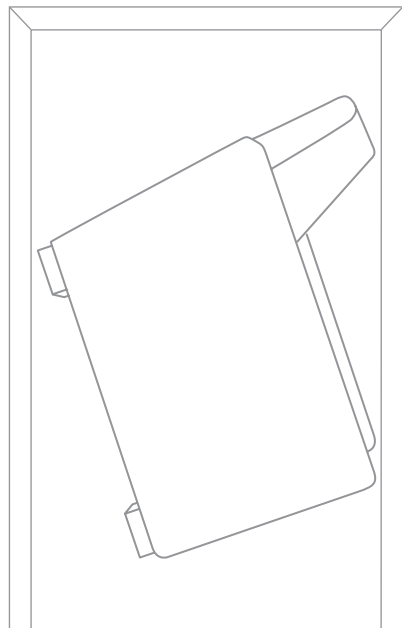
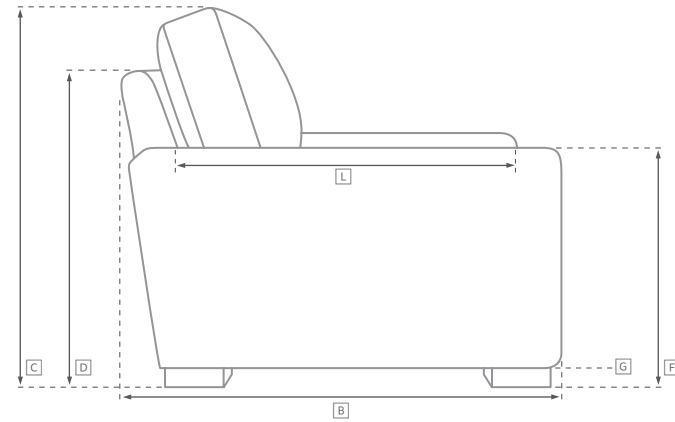
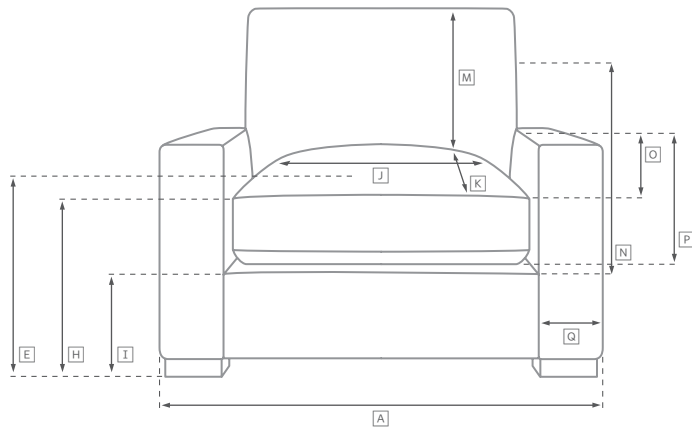
All dimensions are given in inches. See the attached "Dimensions Diagram" sheet for more information on the keys used in this chart.

	OVERALL WIDTH A	OVERALL DEPTH B	OVERALL HEIGHT C	FRAME HEIGHT D	SEAT HEIGHT E	ARM HEIGHT F	FOOT HEIGHT G	SEAT HEIGHT (FLOOR TO CUSHION SEAM) H	SEAT HEIGHT (FLOOR TO FRAME) I	INSIDE SEAT WIDTH J	INSIDE SEAT DEPTH W/ BACK CUSHION K	INSIDE SEAT DEPTH W/O BACK CUSHION L	INSIDE BACK HEIGHT W/ SEAT & BACK CUSHIONS M	INSIDE BACK HEIGHT W/ SEAT CUSHION N	# OF BACK CUSHIONS	# OF SEAT CUSHIONS	ACCENT PILLOWS	ARM HEIGHT W/ SEAT CUSHION O	ARM HEIGHT W/O SEAT CUSHION P	ARM WIDTH Q	SLEEPER DEPTH OVERALL R	SLEEPER DEPTH INSIDE S	
10' CLASSIC RIGHT-ARM SOFA	120	38	30¾	30¾	20¾	30¾	4½	19	12¾	107	24½	24½	10½	10½	18½	-	3	-	10½	18½	13	-	-
10' LUXE LEFT-ARM SOFA	120	44	30¾	30¾	20¾	30¾	4½	19	12¾	107	29½	29½	10½	10½	18½	-	3	-	10½	18½	13	-	-
10' LUXE RIGHT-ARM SOFA	120	44	30¾	30¾	20¾	30¾	4½	19	12¾	107	29½	29½	10½	10½	18½	-	3	-	10½	18½	13	-	-
PETITE LEFT-ARM CHAISE	34	66	29½	29½	19¾	29½	4½	18¾	12	24½	56¾	56¾	9¾	9¾	17½	-	1	-	9¾	17½	9½	-	-
PETITE RIGHT-ARM CHAISE	34	66	29½	29½	19¾	29½	4½	18¾	12	24½	56¾	56¾	9¾	9¾	17½	-	1	-	9¾	17½	9½	-	-
CLASSIC LEFT-ARM CHAISE	38	70	30¾	30¾	20¾	30¾	4½	19	12¾	25	56½	56½	10½	10½	18½	-	1	-	10½	18½	13	-	-
CLASSIC RIGHT-ARM CHAISE	38	70	30¾	30¾	20¾	30¾	4½	19	12¾	25	56½	56½	10½	10½	18½	-	1	-	10½	18½	13	-	-
LUXE LEFT-ARM CHAISE	44	74	30¾	30¾	20¾	30¾	4½	19	12¾	31	59½	59½	10½	10½	18½	-	1	-	10½	18½	13	-	-
LUXE RIGHT-ARM CHAISE	44	74	30¾	30¾	20¾	30¾	4½	19	12¾	31	59½	59½	10½	10½	18½	-	1	-	10½	18½	13	-	-

UPHOLSTERY DIMENSIONS DIAGRAM

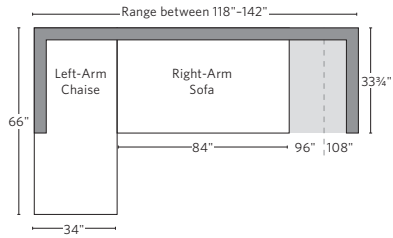
See the "Dimensions Sheet" for the measurements that correspond with the letters below.

RH

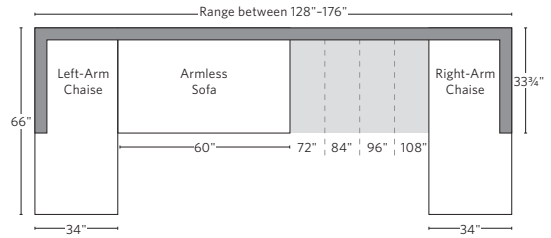


SOFA CHAISE SECTIONAL

Available in left and right-arm configurations.

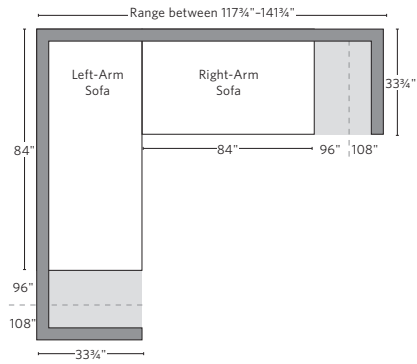


U-CHAISE SECTIONAL



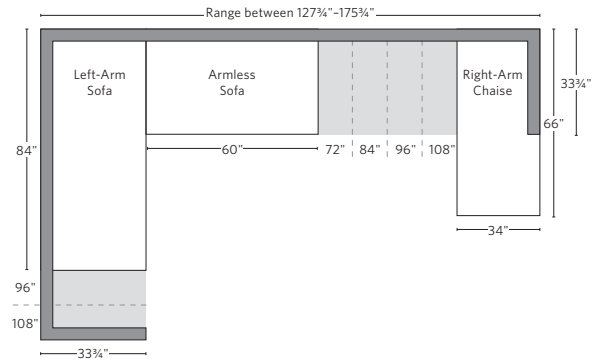
L-SECTIONAL

Available in left and right-arm configurations.

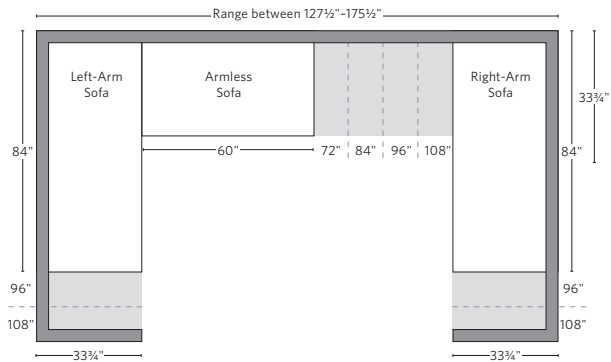


U-SOFA CHAISE SECTIONAL

Available in left and right-arm configurations.



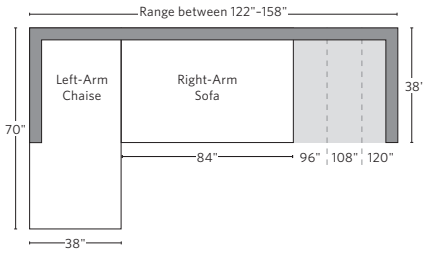
U-SOFA SECTIONAL



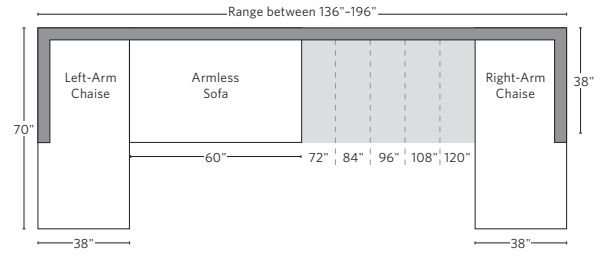
Multiple length options available.

SOFA CHAISE SECTIONAL

Available in left and right-arm configurations.

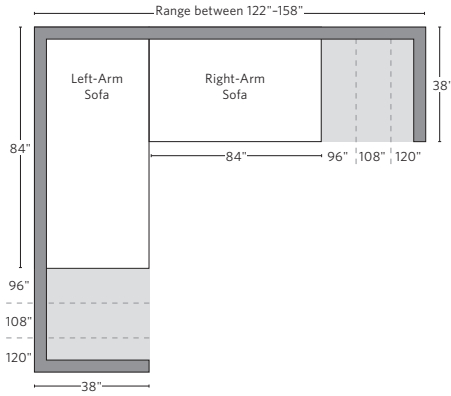


U-CHAISE SECTIONAL



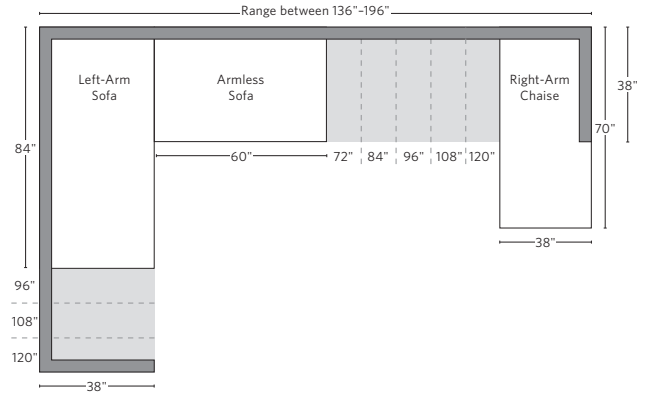
L-SECTIONAL

Available in left and right-arm configurations.

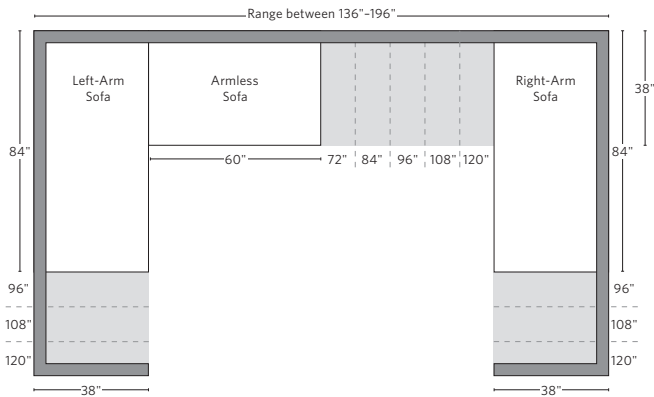


U-SOFA CHAISE SECTIONAL

Available in left and right-arm configurations.



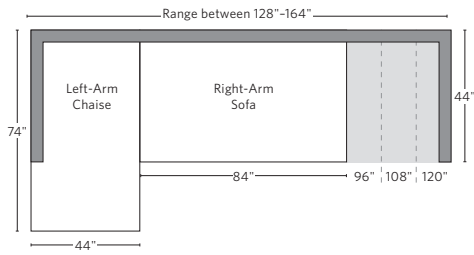
U-SOFA SECTIONAL



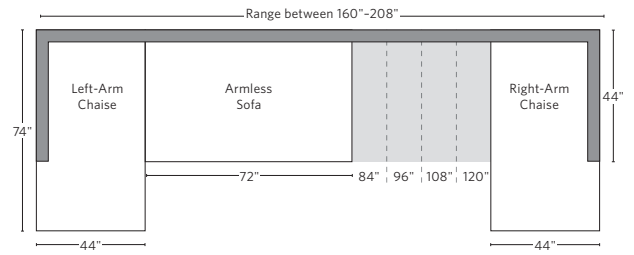
Multiple length options available.

SOFA CHAISE SECTIONAL

Available in left and right-arm configurations.

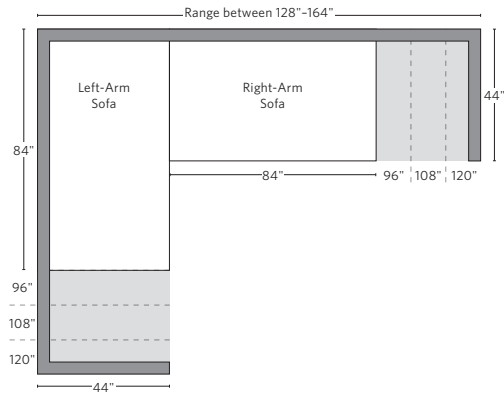


U-CHAISE SECTIONAL



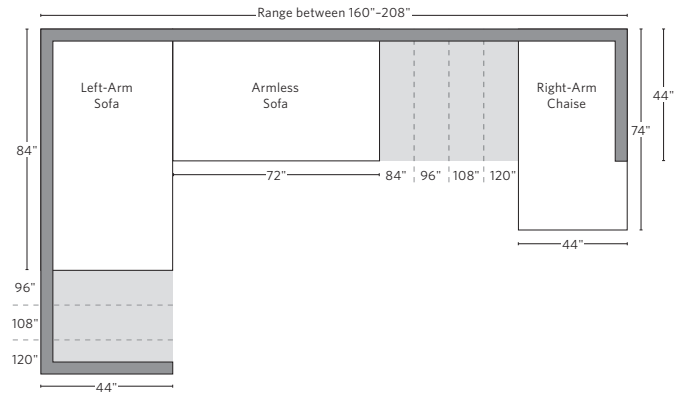
L-SECTIONAL

Available in left and right-arm configurations.

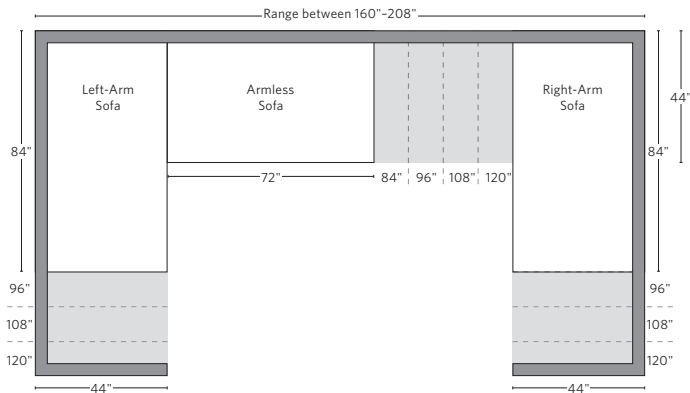


U-SOFA CHAISE SECTIONAL

Available in left and right-arm configurations.



U-SOFA SECTIONAL



Multiple length options available.