

DECONSTRUCTED COLLECTION



All dimensions are given in inches. See the attached "Dimensions Diagram" sheet for more information on the keys used in this chart.

DECONSTRUCTED COLLECTION	A	B	C	D	E	F	G	H	I	J	K	L	M	N	O	P	Q	R	T	U	S	MINIMUM CLEARANCE NEEDED FOR DELIVERY
	OVERALL WIDTH	OVERALL DEPTH	OVERALL HEIGHT	FRAME HEIGHT	SEAT HEIGHT	ARM HEIGHT	FOOT HEIGHT	SEAT HEIGHT (FLOOR TO CUSHION SEAM)	SEAT HEIGHT (FLOOR TO FRAME)	INSIDE SEAT WIDTH	INSIDE SEAT DEPTH W/ BACK CUSHION	INSIDE SEAT DEPTH W/O BACK CUSHION	INSIDE BACK HEIGHT W/ SEAT & BACK CUSHIONS	INSIDE BACK HEIGHT W/ SEAT CUSHION	INSIDE BACK HEIGHT W/O SEAT OR BACK CUSHION	ARM HEIGHT W/ SEAT CUSHION ON SEAT	ARM HEIGHT W/O SEAT CUSHION	ARM WIDTH	SLEEPER DEPTH OVERALL	SLEEPER DEPTH INSIDE	DIAGONAL CLEARANCE	MINIMUM CLEARANCE NEEDED FOR DELIVERY
19TH C. ENGLISH WING SETTEE	60	36	44	45	22	28	12	22	17	48	19	21	23	23	27	7	11	6	-	-	90	
19TH C. ENGLISH WING CHAIR	34	34	45	44	22	27	12	21	15	26	21	21	-	23	29	5	11	4	-	-	35	35
CHESTERFIELD 6' SOFA	72	39	31	31	18	31	5	18	12	51	-	30	-	13	19	13	19	10	-	-	31	31
CHESTERFIELD 7' SOFA	84	39	31	31	18	31	5	18	12	64	-	30	-	13	19	13	19	10	-	-	31	31
CHESTERFIELD 8' SOFA	96	39	31	31	18	31	5	18	12	75	-	30	-	13	19	13	19	10	-	-	31	31
CHESTERFIELD 9' SOFA	108	39	31	31	18	31	5	18	12	87	-	30	-	13	19	13	19	10	-	-	31	31
CHESTERFIELD CHAIR	48	39	31	31	18	31	5	18	12	28	-	30	-	13	19	13	19	10	-	-	31	31
CHESTERFIELD OTTOMAN	37	28	18	18	18	-	5	18	12	37	-	28	-	-	-	-	-	-	-	-	18	18
ENGLISH CLUB CHAIR	31	38	36	35	15	20	7	-	12	21	20	20	-	24	-	5	-	5	-	-	29	29
ENGLISH ROLL ARM 6' SOFA	72	40	36	35	19	24	6	18	10	62	24	26	-	18	24	6	10	5	-	-	31	31
ENGLISH ROLL ARM 7' SOFA	84	40	36	35	19	24	6	18	10	74	24	26	-	18	24	6	10	5	-	-	31	31
ENGLISH ROLL ARM 8' SOFA	96	40	36	35	19	24	6	18	10	86	24	26	-	18	24	6	10	5	-	-	31	31
ENGLISH ROLL ARM 9' SOFA	108	40	36	35	19	24	6	18	10	98	24	26	-	18	24	6	10	5	-	-	31	31

DECONSTRUCTED COLLECTION



All dimensions are given in inches. See the attached "Dimensions Diagram" sheet for more information on the keys used in this chart.

DECONSTRUCTED COLLECTION	A	B	C	D	E	F	G	H	I	J	K	L	M	N	O	P	Q	R	T	U	S	MINIMUM CLEARANCE NEEDED FOR DELIVERY
	OVERALL WIDTH	OVERALL DEPTH	OVERALL HEIGHT	FRAME HEIGHT	SEAT HEIGHT	ARM HEIGHT	FOOT HEIGHT	SEAT HEIGHT (FLOOR TO CUSHION SEAM)	SEAT HEIGHT (FLOOR TO FRAME)	INSIDE SEAT WIDTH	INSIDE SEAT DEPTH W/ BACK CUSHION	INSIDE SEAT DEPTH W/O BACK CUSHION	INSIDE BACK HEIGHT W/ SEAT & BACK CUSHIONS	INSIDE BACK HEIGHT W/ SEAT CUSHION	INSIDE BACK HEIGHT W/O SEAT OR BACK CUSHION	ARM HEIGHT W/ SEAT CUSHION ON SEAT	ARM HEIGHT W/O SEAT CUSHION	ARM WIDTH	SLEEPER DEPTH OVERALL	SLEEPER DEPTH INSIDE	DIAGONAL CLEARANCE	MINIMUM CLEARANCE NEEDED FOR DELIVERY
ENGLISH ROLL ARM CHAIR	40	36	31	35	19	24	6	17	14	30	24	26	-	20	24	7	10	5	-	-	31	31
ENGLISH ROLL ARM OTTOMAN	30	22	18	11	18	-	4¾	-	-	-	-	-	-	-	-	-	-	-	-	-	18	18
FRENCH NAPOLEONIC CHAIR	29	34	35	35	12	23	8½	-	11	19	23	23	-	21	-	7	-	5	-	-	30	30
FRENCH NAPOLEONIC COFFEE OTTOMAN	49	37	17	14	17	-	6½	-	-	-	-	-	-	-	-	-	-	-	-	-	17	17
FRENCH NAPOLEONIC LARGE COFFEE OTTOMAN	72	30	19	16	19	-	6½	-	-	-	-	-	-	-	-	-	-	-	-	-	19	19
FRENCH SLIPPER CHAIR	23	32	34	33	16	-	10	-	12	32	21	-	-	20	-	-	-	-	-	-	25	25
FRENCH VICTORIAN LEFT-ARM CHAISE	34	79	33	33	19	23	5½	17	14	24	67	67	-	16	21	5	11	5	-	-	32	32
FRENCH VICTORIAN RIGHT-ARM CHAISE	34	79	33	33	19	23	5½	17	14	24	67	67	-	16	21	5	11	5	-	-	32	32
FRENCH VICTORIAN SETTEE	61	35	37	36	17	23	7½	-	13	47	23	23	-	21	-	6	-	7	-	-	33	33
HIGHBACK WING CHAIR	36	38	59	59	19	27	5	19	12	20	21	22	-	42	48	9	15	8	-	-	39	39
SHELTER ARM 5' SOFA	60	31	26	26	16	26	3¾	16	11	52	21	24	10	10	16	10	16	4	-	-	26	26
SHELTER ARM 6' SOFA	72	31	26	26	16	26	3¾	16	11	64	21	24	10	10	16	10	16	4	-	-	26	26
SHELTER ARM 7' SOFA	84	31	26	26	16	26	3¾	16	11	76	21	24	10	10	16	10	16	4	-	-	26	26

DECONSTRUCTED COLLECTION



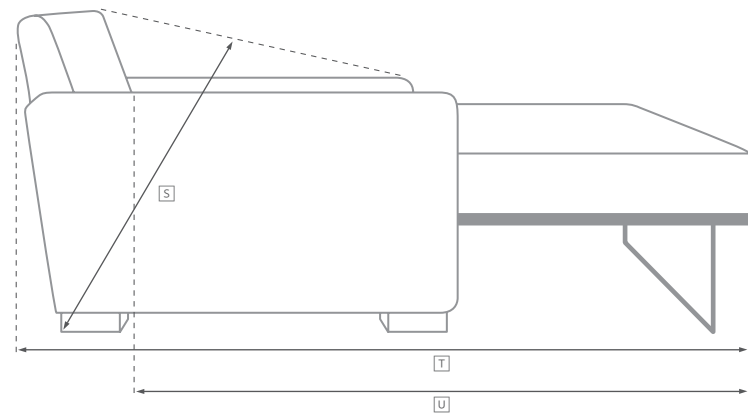
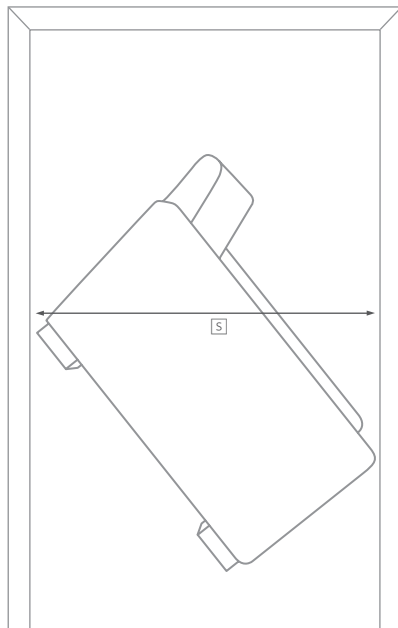
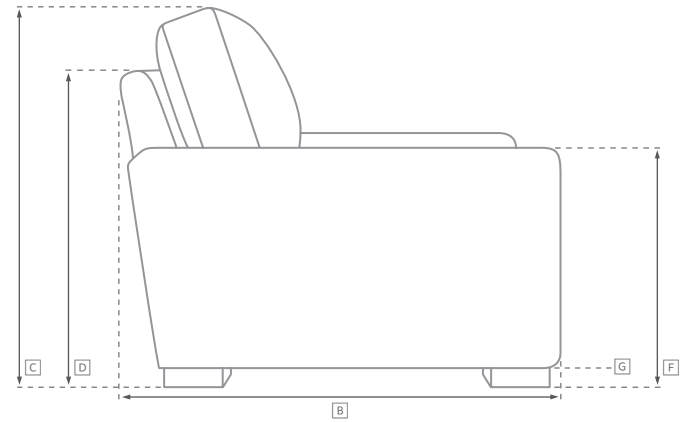
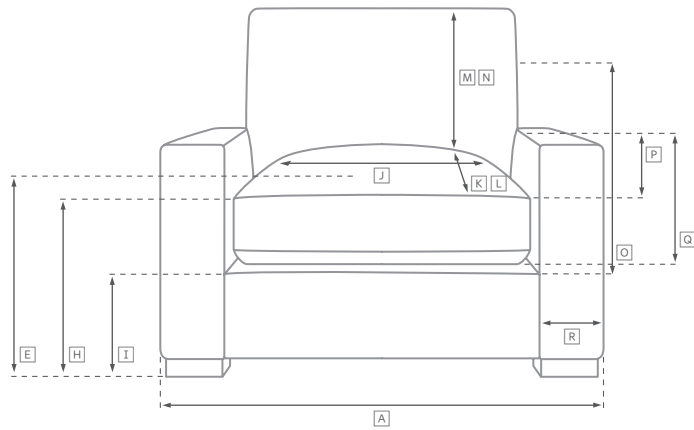
All dimensions are given in inches. See the attached "Dimensions Diagram" sheet for more information on the keys used in this chart.

DECONSTRUCTED COLLECTION	A OVERALL WIDTH	B OVERALL DEPTH	C OVERALL HEIGHT	D FRAME HEIGHT	E SEAT HEIGHT	F ARM HEIGHT	G FOOT HEIGHT	H SEAT HEIGHT (FLOOR TO CUSHION SEAM)	I SEAT HEIGHT (FLOOR TO FRAME)	J INSIDE SEAT WIDTH	K INSIDE SEAT DEPTH W/ BACK CUSHION	L INSIDE SEAT DEPTH W/O BACK CUSHION	M INSIDE BACK HEIGHT W/ SEAT & BACK CUSHIONS	N INSIDE BACK HEIGHT W/ SEAT CUSHION	O INSIDE BACK HEIGHT W/O SEAT OR BACK CUSHION	P ARM HEIGHT W/ SEAT CUSHION ON SEAT	Q ARM HEIGHT W/O SEAT CUSHION	R ARM WIDTH	T SLEEPER DEPTH OVERALL	U SLEEPER DEPTH INSIDE	S DIAGONAL CLEARANCE	MINIMUM CLEARANCE NEEDED FOR DELIVERY
SHELTER ARM 8' SOFA	96	31	26	26	16	26	3¾	16	11	88	21	24	10	10	16	10	16	4	-	-	26	26
SHELTER ARM 9' SOFA	108	31	26	26	16	26	3¾	16	11	100	21	24	10	10	16	10	16	4	-	-	26	26
SHELTER ARM 10' SOFA	120	31	26	26	16	26	3¾	16	11	112	21	24	10	10	16	10	16	4	-	-	26	26
SHELTER ARM CHAIR	28	28	26	25	16	26	3½	16	11	22	21	20	-	11	15	10	15	3	-	-	37	37
TUFTED ROLL ARM CHAIR	30	35	37	36	17	23	7½	-	13	16	23	23	-	21	-	6	-	7	-	-	33	33

DIMENSIONS DIAGRAM

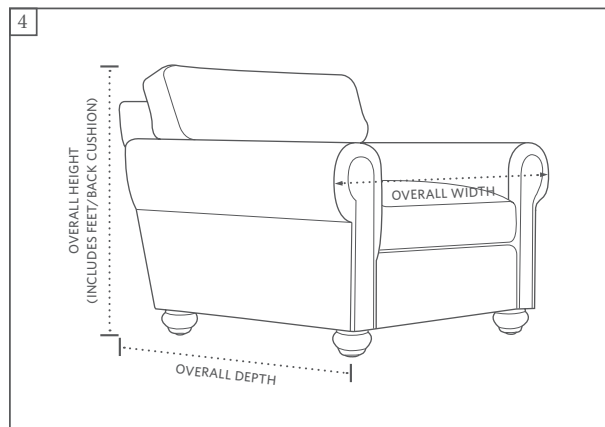
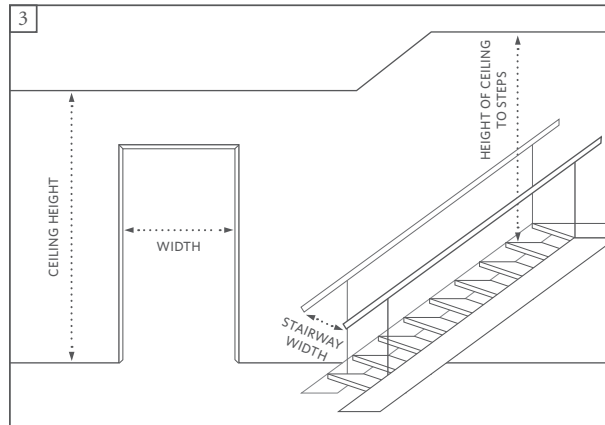
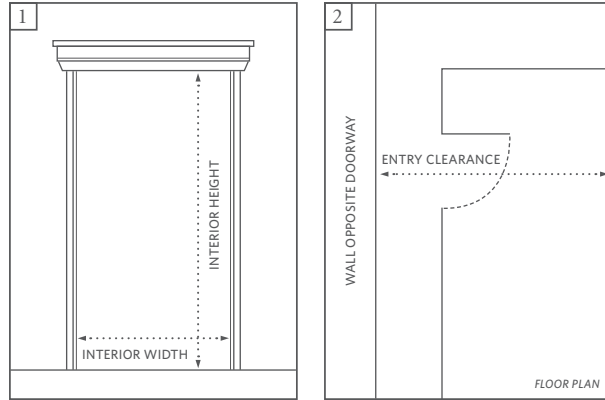
See the "Dimensions Sheet" for the measurements that correspond with the letters below.

RH



Before purchasing any furniture, it's important to ensure it can fit through all the entryways, elevators and stairways of your home. Follow these steps to ensure efficient delivery and avoid returns.

- Determine the best pathway from outside your home to the room where the new item will be placed.
- Make sure all access points are unobstructed and wide enough for the desired item.
- Measure the heights and widths of all entryways, including all stairways and hallways, both inside and outside your home (see 1).
- Measure the interior widths, depths and heights of all elevator doors to be used for delivery.
- Measure your entry clearance - the distance from the wall through the doorway to the opposite wall (see 2).
- Factor in all corners, ceiling height, stairways (heights, widths, angles, bannisters), and low hanging fixtures. Also account for any architectural details (see 3).
- Compare your measurements from above to the item's "minimum clearance" measurement online.
- To ensure successful delivery, the item's minimum clearance measurement must not exceed the height or width of any of the entryways (elevators and stairways included) to be used for delivery.
- Note that the furniture measurements we provide reflect overall dimensions, and overhangs, angles and outward curves will be included (see 4).



☑ Unlimited Furniture Delivery at a low flat rate based on delivery area. See a store associate or our website for details.

At Restoration Hardware, we take pride in the exceptional quality and craftsmanship of our furniture. Our attention to detail in design, material and construction is unyielding. And so is our commitment to customer satisfaction.

We carefully inspect each furniture item prior to shipment, and also require your inspection and signature upon delivery. Should you discover a defect in your furniture, however, please contact us at 800.910.9836 immediately. Furniture that is refused because it does not fit through an entryway will be refunded in merchandise or store credit only. Visit restorationhardware.com for more information on returns.

Please call Customer Service at 800.910.9836 with any questions you may have.