

COSTERA UPHOLSTERY COLLECTION



All dimensions are given in inches. See the attached "Dimensions Diagram" sheet for more information on the keys used in this chart.

	OVERALL WIDTH A	OVERALL DEPTH B	OVERALL HEIGHT C	FRAME HEIGHT D	SEAT HEIGHT E	ARM HEIGHT F	FOOT HEIGHT G	SEAT HEIGHT (FLOOR TO CUSHION SEAM) H	SEAT HEIGHT (FLOOR TO FRAME) I	INSIDE SEAT WIDTH J	INSIDE SEAT DEPTH W/ BACK CUSHION K	INSIDE SEAT DEPTH W/O BACK CUSHION L	INSIDE BACK HEIGHT W/ SEAT & BACK CUSHIONS M	INSIDE BACK HEIGHT W/ SEAT CUSHION N	NUMBER OF BACK CUSHIONS	NUMBER OF SEAT CUSHIONS	ACCENT PILLOWS	REGULAR ACCENT PILLOWS DIAMETER	LARGER ACCENT PILLOW DIAMETER	ARM HEIGHT W/ SEAT CUSHION O	ARM HEIGHT W/O SEAT CUSHION P	ARM WIDTH Q	SLEEPER DEPTH OVERALL R	SLEEPER DEPTH INSIDE S	
7' CLASSIC SOFA	84	40	32	28	18½	28	1¼	15½	12	60	29½	33½	13½	9½	16	4	2	0	-	-	9½	16	8¼	-	-
7' LUXE SOFA	84	46	32	28	18½	28	1¼	15½	12	67	34	38	13½	9½	16	4	2	0	-	-	9½	16	8¼	-	-
8' CLASSIC SOFA	96	40	32	28	18½	28	1¼	15½	12	72	29½	33½	13½	9½	16	4	2	0	-	-	9½	16	8¼	-	-
8' LUXE SOFA	96	46	32	28	18½	28	1¼	15½	12	79	34	38	13½	9½	16	4	2	0	-	-	9½	16	8¼	-	-
9' CLASSIC SOFA	108	40	32	28	18½	28	1¼	15½	12	84	29½	33½	13½	9½	16	4	2	0	-	-	9½	16	8¼	-	-
9' LUXE SOFA	108	46	32	28	18½	28	1¼	15½	12	91	34	38	13½	9½	16	4	2	0	-	-	9½	16	8¼	-	-
10' CLASSIC SOFA	120	40	32	28	18½	28	1¼	15½	12	96	29½	33½	13½	9½	16	4	2	0	-	-	9½	16	8¼	-	-
10' LUXE SOFA	120	46	32	28	18½	28	1¼	15½	12	103	34	38	13½	9½	16	4	2	0	-	-	9½	16	8¼	-	-
7' CLASSIC ARMLESS SOFA	84	40	32	28	18½	-	1¼	15½	12	84	29½	33½	13½	9½	16	2	2	-	-	-	-	-	-	-	-
7' LUXE ARMLESS SOFA	84	46	32	28	18½	-	1¼	15½	12	84	29½	33½	13½	9½	16	2	2	-	-	-	-	-	-	-	-
8' CLASSIC ARMLESS SOFA	96	40	32	28	18½	-	1¼	15½	12	96	29½	33½	13½	9½	16	2	2	-	-	-	-	-	-	-	-
8' LUXE ARMLESS SOFA	96	46	32	28	18½	-	1¼	15½	12	96	29½	33½	13½	9½	16	2	2	-	-	-	-	-	-	-	-
9' CLASSIC ARMLESS SOFA	108	40	32	28	18½	-	1¼	15½	12	108	29½	33½	13½	9½	16	2	2	-	-	-	-	-	-	-	-
9' LUXE ARMLESS SOFA	108	46	32	28	18½	-	1¼	15½	12	108	29½	33½	13½	9½	16	2	2	-	-	-	-	-	-	-	-

COSTERA UPHOLSTERY COLLECTION



All dimensions are given in inches. See the attached "Dimensions Diagram" sheet for more information on the keys used in this chart.

	OVERALL WIDTH A	OVERALL DEPTH B	OVERALL HEIGHT C	FRAME HEIGHT D	SEAT HEIGHT E	ARM HEIGHT F	FOOT HEIGHT G	SEAT HEIGHT (FLOOR TO CUSHION SEAM) H	SEAT HEIGHT (FLOOR TO FRAME) I	INSIDE SEAT WIDTH J	INSIDE SEAT DEPTH W/ BACK CUSHION K	INSIDE SEAT DEPTH W/O BACK CUSHION L	INSIDE BACK HEIGHT W/ SEAT & BACK CUSHIONS M	INSIDE BACK HEIGHT W/ SEAT CUSHION N	NUMBER OF BACK CUSHIONS	NUMBER OF SEAT CUSHIONS	ACCENT PILLOWS	REGULAR ACCENT PILLOWS DIAMETER	LARGER ACCENT PILLOW DIAMETER	ARM HEIGHT W/ SEAT CUSHION O	ARM HEIGHT W/O SEAT CUSHION P	ARM WIDTH Q	SLEEPER DEPTH OVERALL R	SLEEPER DEPTH INSIDE S	
7' CLASSIC LEFT-ARM SOFA	84	40	32	28	18½	28	1¼	15½	12	75%	29½	33½	13½	9½	16	3	2	-	-	-	9½	16	8¼	-	-
7' LUXE LEFT-ARM SOFA	84	46	32	28	18½	28	1¼	15½	12	75%	29½	33½	13½	9½	16	3	2	-	-	-	9½	16	8¼	-	-
8' CLASSIC LEFT-ARM SOFA	96	40	32	28	18½	28	1¼	15½	12	87%	29½	33½	13½	9½	16	3	2	-	-	-	9½	16	8¼	-	-
8' LUXE LEFT-ARM SOFA	96	46	32	28	18½	28	1¼	15½	12	87%	29½	33½	13½	9½	16	3	2	-	-	-	9½	16	8¼	-	-
9' CLASSIC LEFT-ARM SOFA	108	40	32	28	18½	28	1¼	15½	12	99%	29½	33½	13½	9½	16	3	2	-	-	-	9½	16	8¼	-	-
9' LUXE LEFT-ARM SOFA	108	46	32	28	18½	28	1¼	15½	12	99%	29½	33½	13½	9½	16	3	2	-	-	-	9½	16	8¼	-	-
7' CLASSIC RIGHT-ARM SOFA	84	40	32	28	18½	28	1¼	15½	12	75%	29½	33½	13½	9½	16	3	2	-	-	-	9½	16	8¼	-	-
7' LUXE RIGHT-ARM SOFA	84	46	32	28	18½	28	1¼	15½	12	75%	29½	33½	13½	9½	16	3	2	-	-	-	9½	16	8¼	-	-
8' CLASSIC RIGHT-ARM SOFA	96	40	32	28	18½	28	1¼	15½	12	87%	29½	33½	13½	9½	16	3	2	-	-	-	9½	16	8¼	-	-
8' LUXE RIGHT-ARM SOFA	96	46	32	28	18½	28	1¼	15½	12	87%	29½	33½	13½	9½	16	3	2	-	-	-	9½	16	8¼	-	-
9' CLASSIC RIGHT-ARM SOFA	108	40	32	28	18½	28	1¼	15½	12	99%	29½	33½	13½	9½	16	3	2	-	-	-	9½	16	8¼	-	-
9' LUXE RIGHT-ARM SOFA	108	46	32	28	18½	28	1¼	15½	12	99%	29½	33½	13½	9½	16	3	2	-	-	-	9½	16	8¼	-	-
8' CLASSIC LEFT-ARM RETURN SOFA	96	40	32	28	18½	28	1¼	15½	12	87%	29½	33½	13½	9½	16	4	2	-	-	-	9½	16	8¼	-	-
8' LUXE LEFT-ARM RETURN SOFA	96	46	32	28	18½	28	1¼	15½	12	99%	29½	33½	13½	9½	16	4	2	-	-	-	9½	16	8¼	-	-

COSTERA UPHOLSTERY COLLECTION



All dimensions are given in inches. See the attached "Dimensions Diagram" sheet for more information on the keys used in this chart.

	OVERALL WIDTH A	OVERALL DEPTH B	OVERALL HEIGHT C	FRAME HEIGHT D	SEAT HEIGHT E	ARM HEIGHT F	FOOT HEIGHT G	SEAT HEIGHT (FLOOR TO CUSHION SEAM) H	SEAT HEIGHT (FLOOR TO FRAME) I	INSIDE SEAT WIDTH J	INSIDE SEAT DEPTH W/ BACK CUSHION K	INSIDE SEAT DEPTH W/O BACK CUSHION L	INSIDE BACK HEIGHT W/ SEAT & BACK CUSHIONS M	INSIDE BACK HEIGHT W/ SEAT CUSHION N	NUMBER OF BACK CUSHIONS	NUMBER OF SEAT CUSHIONS	ACCENT PILLOWS	REGULAR ACCENT PILLOWS DIAMETER	LARGER ACCENT PILLOW DIAMETER	ARM HEIGHT W/ SEAT CUSHION O	ARM HEIGHT W/O SEAT CUSHION P	ARM WIDTH Q	SLEEPER DEPTH OVERALL R	SLEEPER DEPTH INSIDE S	
9' CLASSIC LEFT-ARM RETURN SOFA	108	40	32	28	18½	28	1¼	15½	12	99%	29½	33½	13½	9½	16	4	2	-	-	-	9½	16	8¼	-	-
9' LUXE LEFT-ARM RETURN SOFA	108	46	32	28	18½	28	1¼	15½	12	99%	29½	33½	13½	9½	16	4	2	-	-	-	9½	16	8¼	-	-
10' CLASSIC LEFT-ARM RETURN SOFA	120	40	32	28	18½	28	1¼	15½	12	111%	29½	33½	13½	9½	16	4	2	-	-	-	9½	16	8¼	-	-
10' LUXE LEFT-ARM RETURN SOFA	120	46	32	28	18½	28	1¼	15½	12	111%	29½	33½	13½	9½	16	4	2	-	-	-	9½	16	8¼	-	-
8' CLASSIC RIGHT-ARM RETURN SOFA	96	40	32	28	18½	28	1¼	15½	12	87%	29½	33½	13½	9½	16	4	2	-	-	-	9½	16	8¼	-	-
8' LUXE RIGHT-ARM RETURN SOFA	96	46	32	28	18½	28	1¼	15½	12	99%	29½	33½	13½	9½	16	4	2	-	-	-	9½	16	8¼	-	-
9' CLASSIC RIGHT-ARM RETURN SOFA	108	40	32	28	18½	28	1¼	15½	12	99%	29½	33½	13½	9½	16	4	2	-	-	-	9½	16	8¼	-	-
9' LUXE RIGHT-ARM RETURN SOFA	108	46	32	28	18½	28	1¼	15½	12	99%	29½	33½	13½	9½	16	4	2	-	-	-	9½	16	8¼	-	-
10' CLASSIC RIGHT-ARM RETURN SOFA	120	40	32	28	18½	28	1¼	15½	12	111%	29½	33½	13½	9½	16	4	2	-	-	-	9½	16	8¼	-	-
10' LUXE RIGHT-ARM RETURN SOFA	120	46	32	28	18½	28	1¼	15½	12	111%	29½	33½	13½	9½	16	4	2	-	-	-	9½	16	8¼	-	-
CLASSIC LEFT-ARM CHAISE	40	62	32	28	18½	28	1¼	15½	12	31%	29½	33½	13½	9½	16	2	1	-	-	-	9½	16	8¼	-	-
LUXE LEFT-ARM CHAISE	46	70	32	28	18½	28	1¼	15½	12	37%	29½	33½	13½	9½	16	2	1	-	-	-	9½	16	8¼	-	-
CLASSIC RIGHT-ARM CHAISE	40	62	32	28	18½	28	1¼	15½	12	31%	29½	33½	13½	9½	16	2	1	-	-	-	9½	16	8¼	-	-
LUXE RIGHT-ARM CHAISE	46	70	32	28	18½	28	1¼	15½	12	37%	29½	33½	13½	9½	16	2	1	-	-	-	9½	16	8¼	-	-

COSTERA UPHOLSTERY COLLECTION



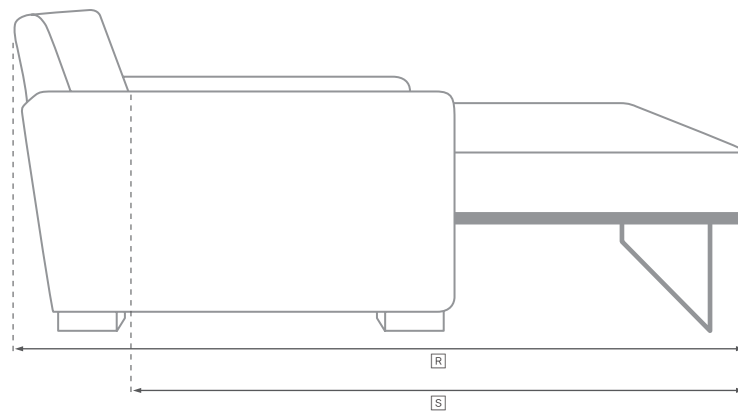
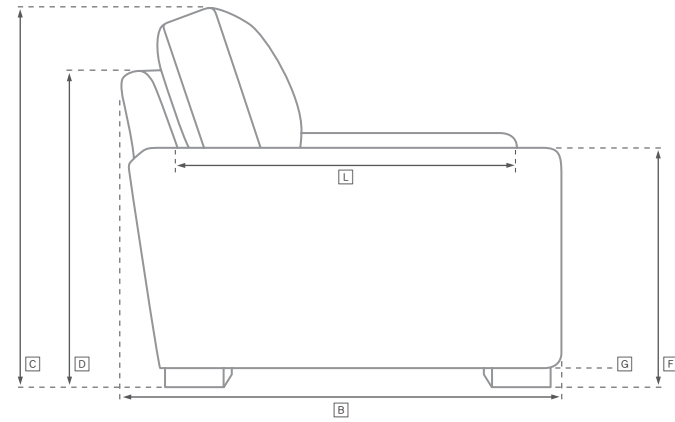
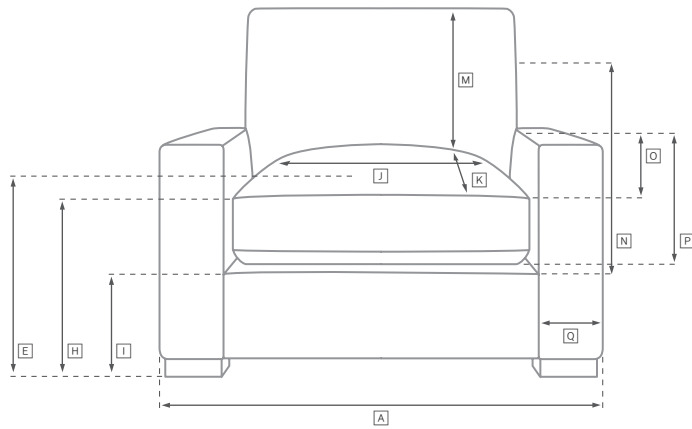
All dimensions are given in inches. See the attached "Dimensions Diagram" sheet for more information on the keys used in this chart.

	OVERALL WIDTH A	OVERALL DEPTH B	OVERALL HEIGHT C	FRAME HEIGHT D	SEAT HEIGHT E	ARM HEIGHT F	FOOT HEIGHT G	SEAT HEIGHT (FLOOR TO CUSHION SEAM) H	SEAT HEIGHT (FLOOR TO FRAME) I	INSIDE SEAT WIDTH J	INSIDE SEAT DEPTH W/ BACK CUSHION K	INSIDE SEAT DEPTH W/O BACK CUSHION L	INSIDE BACK HEIGHT W/ SEAT & BACK CUSHIONS M	INSIDE BACK HEIGHT W/ SEAT CUSHION N	NUMBER OF BACK CUSHIONS	NUMBER OF SEAT CUSHIONS	ACCENT PILLOWS	REGULAR ACCENT PILLOWS DIAMETER	LARGER ACCENT PILLOW DIAMETER	ARM HEIGHT W/ SEAT CUSHION O	ARM HEIGHT W/O SEAT CUSHION P	ARM WIDTH Q	SLEEPER DEPTH OVERALL R	SLEEPER DEPTH INSIDE S	
LUXE CHAIR	53	46	32	28	18½	28	1¼	15½	12	35½	34	38	13½	9½	16	3	1	0	-	-	9½	16	8¼	-	-
MODULAR CLASSIC ARMLESS CHAIR	40	40	32	28	18½	-	1¼	15½	12	40	29½	33½	13½	9½	16	1	1	0	-	-	-	-	-	-	-
MODULAR LUXE ARMLESS CHAIR	46	46	32	28	18½	-	1¼	15½	12	46	34	38	13½	9½	16	1	1	0	-	-	-	-	-	-	-
MODULAR CLASSIC CORNER CHAIR	40	40	32	28	18½	-	1¼	15½	12	29½	29½	33½	13½	9½	16	2	1	0	-	-	-	-	-	-	-
MODULAR LUXE CORNER CHAIR	46	46	32	28	18½	-	1¼	15½	12	34	34	38	13½	9½	16	2	1	0	-	-	-	-	-	-	-
MODULAR CLASSIC END-OF-SECTIONAL OTTOMAN	40	40	18½	18½	18½	-	1¼	15½	12	40	-	-	-	-	-	0	1	0	-	-	-	-	-	-	-
MODULAR LUXE END-OF-SECTIONAL OTTOMAN	46	46	18½	18½	18½	-	1¼	15½	12	46	-	-	-	-	-	0	1	0	-	-	-	-	-	-	-
MODULAR DAYBED	120	60	32	28	18½	28	1¼	15½	12	96	34	38	13½	9½	16	4	2	0	-	-	9½	16	8¼	-	-

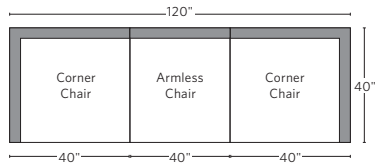
UPHOLSTERY DIMENSIONS DIAGRAM

See the "Dimensions Sheet" for the measurements that correspond with the letters below.

RH

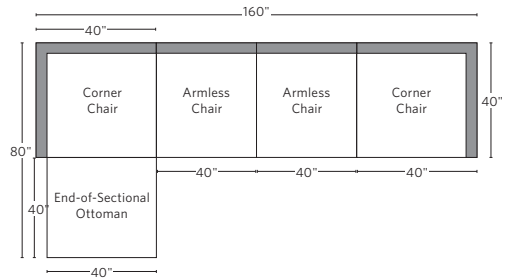


MODULAR SOFA



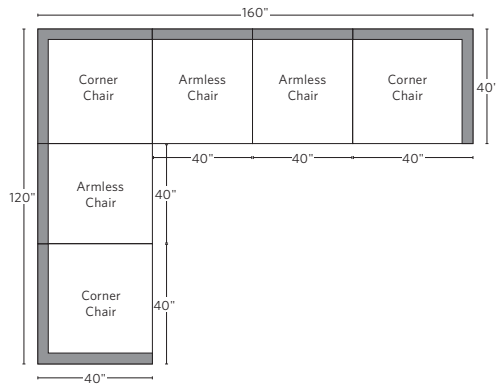
MODULAR SOFA CHAISE

Available in left- and right-arm configurations.

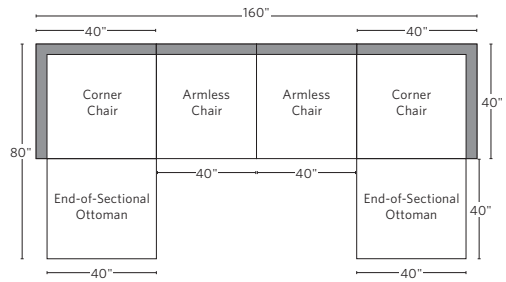


MODULAR L-SECTIONAL

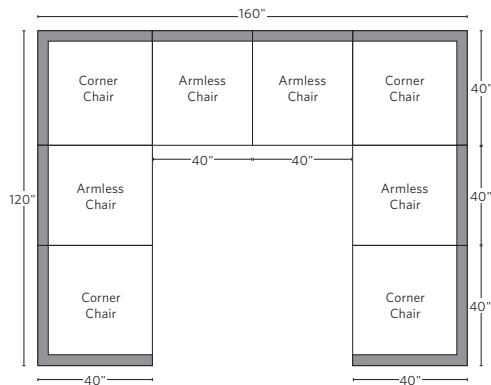
Available in left- and right-arm configurations.



MODULAR U-CHAISE SECTIONAL

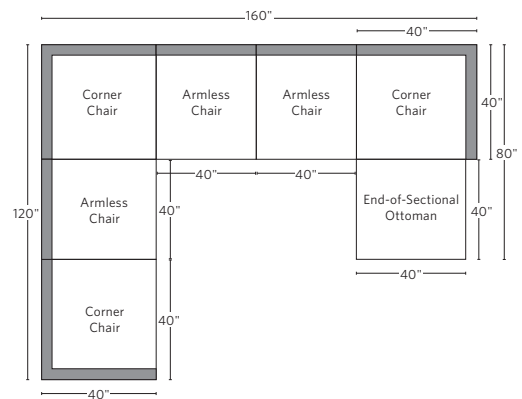


MODULAR U-SOFA SECTIONAL

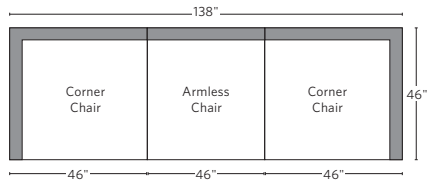


MODULAR U-SOFA CHAISE SECTIONAL

Available in left- and right-arm configurations.

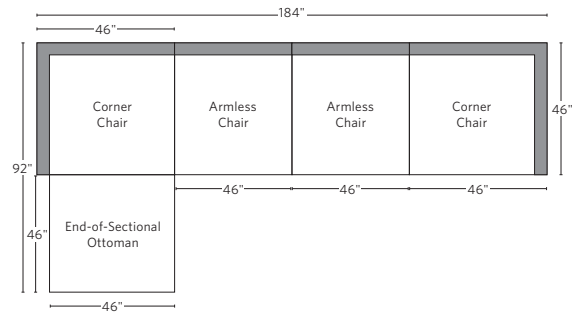


MODULAR SOFA



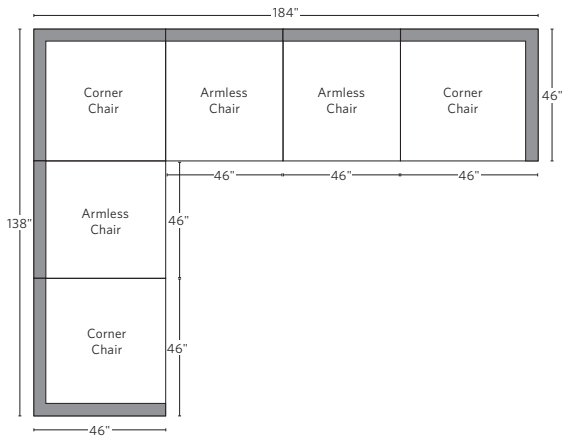
MODULAR SOFA CHAISE

Available in left- and right-arm configurations.

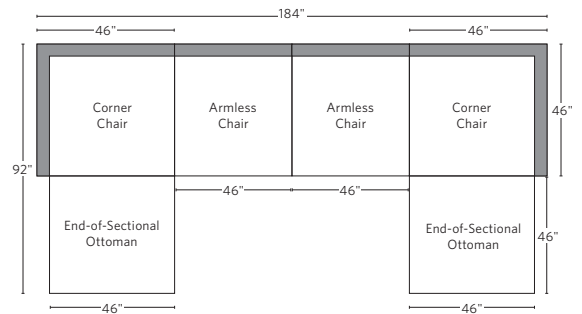


MODULAR L-SECTIONAL

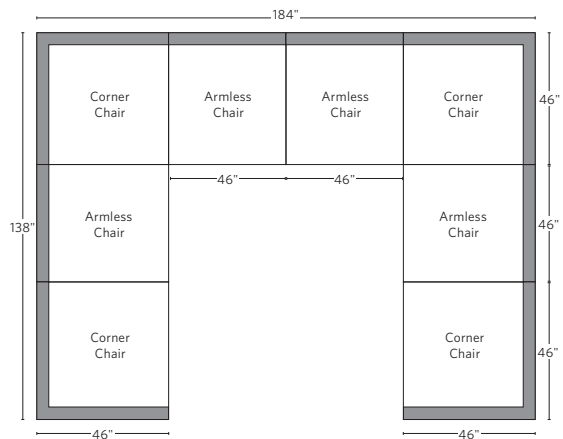
Available in left- and right-arm configurations.



MODULAR U-CHAISE SECTIONAL



MODULAR U-SOFA SECTIONAL



MODULAR U-SOFA CHAISE SECTIONAL

Available in left- and right-arm configurations.

