

# CLOUD COLLECTION



All dimensions are given in inches. See the attached "Dimensions Diagram" sheet for more information on the keys used in this chart.

	A	B	C	D	E	F	G	H	I	J	K	L	M	N				O	P	Q	R	S	
	OVERALL WIDTH	OVERALL DEPTH	OVERALL HEIGHT	FRAME HEIGHT	SEAT HEIGHT	ARM HEIGHT	FOOT HEIGHT	SEAT HEIGHT (FLOOR TO CUSHION SEAM)	SEAT HEIGHT (FLOOR TO FRAME)	INSIDE SEAT WIDTH	INSIDE SEAT DEPTH W/ BACK CUSHION	INSIDE SEAT DEPTH W/O BACK CUSHION	INSIDE BACK HEIGHT W/ SEAT & BACK CUSHIONS	INSIDE BACK HEIGHT W/ SEAT CUSHION	INSIDE BACK HEIGHT W/O SEAT OR BACK CUSHION	# OF BACK CUSHIONS	# OF SEAT CUSHIONS	ACCENT PILLOWS	ARM HEIGHT W/ SEAT CUSHION	ARM HEIGHT W/O SEAT CUSHION	ARM WIDTH	SLEEPER DEPTH OVERALL	SLEEPER DEPTH INSIDE
6' CLASSIC BENCH-SEAT SOFA	72	40	31½	23¾	18½	23¾	1	15	12	56	22¾	32	13	5¾	11¾	1	1	4	5¾	11¾	8	-	-
6' LUXE BENCH-SEAT SOFA	72	45	31½	23¾	18½	23¾	1	15	12	54	25	36	13	5¾	11¾	1	1	4	5¾	11¾	9	-	-
6' CLASSIC SOFA	72	40	31½	23¾	18½	23¾	1	15	12	56	22¾	32	13	5¾	11¾	2	2	4	5¾	11¾	8	-	-
6' LUXE SOFA	72	45	31½	23¾	18½	23¾	1	15	12	54	25	36	13	5¾	11¾	2	2	4	5¾	11¾	9	-	-
7' CLASSIC SOFA*	84	40	31½	23¾	18½	23¾	1	15	12	68	22¾	32	13	5¾	11¾	2	2	4	5¾	11¾	8	-	-
7' LUXE SOFA*	84	45	31½	23¾	18½	23¾	1	15	12	66	25	36	13	5¾	11¾	2	2	4	5¾	11¾	9	-	-
8' CLASSIC SOFA *	96	40	31½	23¾	18½	23¾	1	15	12	80	22¾	32	13	5¾	11¾	2	2	4	5¾	11¾	8	-	-
8' LUXE SOFA *	96	45	31½	23¾	18½	23¾	1	15	12	78	25	36	13	5¾	11¾	2	2	4	5¾	11¾	9	-	-
9' CLASSIC SOFA*	108	40	31½	23¾	18½	23¾	1	15	12	92	22¾	32	13	5¾	11¾	2	2	4	5¾	11¾	8	-	-
9' LUXE SOFA*	108	45	31½	23¾	18½	23¾	1	15	12	90	25	36	13	5¾	11¾	2	2	4	5¾	11¾	9	-	-
10' CLASSIC SOFA	120	40	31½	23¾	18½	23¾	1	15	12	102	25	32	13	5¾	11¾	2	2	2	5¾	11¾	8	-	-
10' LUXE SOFA	120	45	31½	23¾	18½	23¾	1	15	12	102	25	36	13	5¾	11¾	2	2	2	5¾	11¾	9	-	-
5' CLASSIC ARMLESS SOFA*	60	40	31½	23¾	18½	-	1	15	12	60	22¾	32	13	5¾	11¾	2	2	0	-	-	-	-	-
6' CLASSIC ARMLESS SOFA*	72	40	31½	23¾	18½	-	1	15	12	72	22¾	32	13	5¾	11¾	2	2	0	-	-	-	-	-

\*ALSO AVAILABLE WITH 1 SEAT CUSHION

# CLOUD COLLECTION



All dimensions are given in inches. See the attached "Dimensions Diagram" sheet for more information on the keys used in this chart.

	A	B	C	D	E	F	G	H	I	J	K	L		M	N				O	P	Q	R	S
	OVERALL WIDTH	OVERALL DEPTH	OVERALL HEIGHT	FRAME HEIGHT	SEAT HEIGHT	ARM HEIGHT	FOOT HEIGHT	SEAT HEIGHT (FLOOR TO CUSHION SEAM)	SEAT HEIGHT (FLOOR TO FRAME)	INSIDE SEAT WIDTH	INSIDE SEAT DEPTH W/ BACK CUSHION	INSIDE SEAT DEPTH W/O BACK CUSHION	INSIDE BACK HEIGHT W/ SEAT & BACK CUSHIONS	INSIDE BACK HEIGHT W/ SEAT CUSHION	INSIDE BACK HEIGHT W/O SEAT OR BACK CUSHION	# OF BACK CUSHIONS	# OF SEAT CUSHIONS	ACCENT PILLOWS	ARM HEIGHT W/ SEAT CUSHION	ARM HEIGHT W/O SEAT CUSHION	ARM WIDTH	SLEEPER DEPTH OVERALL	SLEEPER DEPTH INSIDE
6' LUXE ARMLESS SOFA*	72	45	31½	23¾	18½	-	1	15	12	72	25	36	13	5¾	11¾	2	2	0	-	-	-	-	-
7' CLASSIC ARMLESS SOFA*	84	40	31½	23¾	18½	-	1	15	12	84	22¾	32	13	5¾	11¾	2	2	0	-	-	-	-	-
7' LUXE ARMLESS SOFA*	84	45	31½	23¾	18½	-	1	15	12	84	25	36	13	5¾	11¾	2	2	0	-	-	-	-	-
8' CLASSIC ARMLESS SOFA*	96	40	31½	23¾	18½	-	1	15	12	96	22¾	32	13	5¾	11¾	2	2	0	-	-	-	-	-
8' LUXE ARMLESS SOFA*	96	45	31½	23¾	18½	-	1	15	12	96	25	36	13	5¾	11¾	2	2	0	-	-	-	-	-
9' CLASSIC ARMLESS SOFA**	108	40	31½	23¾	18½	-	1	15	12	108	22¾	32	13	5¾	11¾	2	2	0	-	-	-	-	-
9' LUXE ARMLESS SOFA**	108	45	31½	23¾	18½	-	1	15	12	108	25	36	13	5¾	11¾	2	2	0	-	-	-	-	-
10' CLASSIC ARMLESS SOFA	120	40	31½	23¾	18½	-	1	15	12	120	22¾	32	13	5¾	11¾	2	2	0	-	-	-	-	-
10' LUXE ARMLESS SOFA	120	45	31½	23¾	18½	-	1	15	12	120	25	36	13	5¾	11¾	2	2	0	-	-	-	-	-
5' CLASSIC LEFT-ARM SOFA	60	40	31½	23¾	18½	23¾	1	15	12	52	22¾	32	13	5¾	11¾	2	2	2	5¾	11¾	8	-	-
6' CLASSIC LEFT-ARM SOFA*	72	40	31½	23¾	18½	23¾	1	15	12	64	22¾	32	13	5¾	11¾	2	2	2	5¾	11¾	8	-	-
6' LUXE LEFT-ARM SOFA*	72	45	31½	23¾	18½	23¾	1	15	12	63	25	36	13	5¾	11¾	2	2	2	5¾	11¾	9	-	-
7' CLASSIC LEFT-ARM SOFA*	84	40	31½	23¾	18½	23¾	1	15	12	76	22¾	32	13	5¾	11¾	2	2	2	5¾	11¾	8	-	-
7' LUXE LEFT-ARM SOFA*	84	45	31½	23¾	18½	23¾	1	15	12	75	25	36	13	5¾	11¾	2	2	2	5¾	11¾	9	-	-

\*ALSO AVAILABLE WITH 1 SEAT CUSHION

\*\*ALSO AVAILABLE WITH 2 BACK CUSHIONS & 1 SEAT CUSHION

# CLOUD COLLECTION



All dimensions are given in inches. See the attached "Dimensions Diagram" sheet for more information on the keys used in this chart.

	OVERALL WIDTH A	OVERALL DEPTH B	OVERALL HEIGHT C	FRAME HEIGHT D	SEAT HEIGHT E	ARM HEIGHT F	FOOT HEIGHT G	SEAT HEIGHT (FLOOR TO CUSHION SEAM) H	SEAT HEIGHT (FLOOR TO FRAME) I	INSIDE SEAT WIDTH J	INSIDE SEAT DEPTH W/ BACK CUSHION K	INSIDE SEAT DEPTH W/O BACK CUSHION L	INSIDE BACK HEIGHT W/ SEAT & BACK CUSHIONS M	INSIDE BACK HEIGHT W/ SEAT CUSHION N	# OF BACK CUSHIONS	# OF SEAT CUSHIONS	ACCENT PILLOWS	ARM HEIGHT W/ SEAT CUSHION O	ARM HEIGHT W/O SEAT CUSHION P	ARM WIDTH Q	SLEEPER DEPTH OVERALL R	SLEEPER DEPTH INSIDE S	
8' CLASSIC LEFT-ARM SOFA*	96	40	31½	23¾	18½	23¾	1	15	12	88	22¾	32	13	5¾	11¼	2	2	2	5¾	11¼	8	-	-
8' LUXE LEFT-ARM SOFA*	96	45	31½	23¾	18½	23¾	1	15	12	87	25	36	13	5¾	11¼	2	2	2	5¾	11¼	9	-	-
9' CLASSIC LEFT-ARM SOFA*	108	40	31½	23¾	18½	23¾	1	15	12	100	22¾	32	13	5¾	11¼	2	2	2	5¾	11¼	8	-	-
9' LUXE LEFT-ARM SOFA*	108	45	31½	23¾	18½	23¾	1	15	12	99	25	36	13	5¾	11¼	2	2	2	5¾	11¼	9	-	-
10' CLASSIC LEFT-ARM SOFA	120	40	31½	23¾	18½	23¾	1	15	12	112	22¾	32	13	5¾	11¼	2	2	2	5¾	11¼	8	-	-
10' CLASSIC RIGHT-ARM SOFA	120	40	31½	23¾	18½	23¾	1	15	12	112	22¾	32	13	5¾	11¼	2	2	2	5¾	11¼	8	-	-
5' CLASSIC RIGHT-ARM SOFA	60	40	31½	23¾	18½	23¾	1	15	12	52	22¾	32	13	5¾	11¼	2	1	2	5¾	11¼	8	-	-
6' CLASSIC RIGHT-ARM SOFA*	72	40	31½	23¾	18½	23¾	1	15	12	64	22¾	32	13	5¾	11¼	2	1	2	5¾	11¼	8	-	-
6' LUXE RIGHT-ARM SOFA*	72	45	31½	23¾	18½	23¾	1	15	12	63	25	36	13	5¾	11¼	2	1	2	5¾	11¼	9	-	-
7' CLASSIC RIGHT-ARM SOFA*	84	40	31½	23¾	18½	23¾	1	15	12	76	22¾	32	13	5¾	11¼	2	1	2	5¾	11¼	8	-	-
7' LUXE RIGHT-ARM SOFA*	84	45	31½	23¾	18½	23¾	1	15	12	75	25	36	13	5¾	11¼	2	1	2	5¾	11¼	9	-	-
8' CLASSIC RIGHT-ARM SOFA*	96	40	31½	23¾	18½	23¾	1	15	12	88	22¾	32	13	5¾	11¼	2	1	2	5¾	11¼	8	-	-
8' LUXE RIGHT-ARM SOFA*	96	45	31½	23¾	18½	23¾	1	15	12	87	25	36	13	5¾	11¼	2	2	2	5¾	11¼	9	-	-
9' CLASSIC RIGHT-ARM SOFA*	108	40	31½	23¾	18½	23¾	1	15	12	100	22¾	32	13	5¾	11¼	2	2	2	5¾	11¼	8	-	-

\*ALSO AVAILABLE WITH 1 SEAT CUSHION

# CLOUD COLLECTION



All dimensions are given in inches. See the attached "Dimensions Diagram" sheet for more information on the keys used in this chart.

	A	B	C	D	E	F	G	H	I	J	K	L		M	N				O	P	Q	R	S
	OVERALL WIDTH	OVERALL DEPTH	OVERALL HEIGHT	FRAME HEIGHT	SEAT HEIGHT	ARM HEIGHT	FOOT HEIGHT	SEAT HEIGHT (FLOOR TO CUSHION SEAM)	SEAT HEIGHT (FLOOR TO FRAME)	INSIDE SEAT WIDTH	INSIDE SEAT DEPTH W/ BACK CUSHION	INSIDE SEAT DEPTH W/O BACK CUSHION	INSIDE BACK HEIGHT W/ SEAT & BACK CUSHIONS	INSIDE BACK HEIGHT W/ SEAT CUSHION	INSIDE BACK HEIGHT W/O SEAT OR BACK CUSHION	# OF BACK CUSHIONS	# OF SEAT CUSHIONS	ACCENT PILLOWS	ARM HEIGHT W/ SEAT CUSHION	ARM HEIGHT W/O SEAT CUSHION	ARM WIDTH	SLEEPER DEPTH OVERALL	SLEEPER DEPTH INSIDE
9' LUXE RIGHT-ARM SOFA*	108	45	31½	23¾	18½	23¾	1	15	12	99	25	36	13	5¾	11¾	2	2	2	5¾	11¾	9	-	-
10' LUXE LEFT-ARM SOFA	120	45	31½	23¾	18½	23¾	1	15	12	112	22¾	36	13	5¾	11¾	2	2	2	5¾	11¾	9	-	-
10' LUXE RIGHT-ARM SOFA	120	45	31½	23¾	18½	23¾	1	15	12	112	22¾	36	13	5¾	11¾	2	2	2	5¾	11¾	9	-	-
CHAISE	54	70	31½	23¾	18½	23¾	1	15	12	38	50¾	61	13	5¾	11¾	1	1	2	5¾	11¾	8	-	-
DAYBED	108	60	31½	23¾	18½	23¾	1	15	12	90	40¾	51	13	5¾	11¾	2	2	4	5¾	11¾	9	-	-
CLASSIC OTTOMAN	32	32	18½	18½	18½	-	1	15	12	32	-	-	-	-	-	0	1	0	-	-	-	-	-
LUXE OTTOMAN	36	36	18½	18½	18½	-	1	15	12	36	-	-	-	-	-	0	1	0	-	-	-	-	-
CLASSIC COFFEE OTTOMAN	56	39	18½	18½	18½	-	1	15	12	56	-	-	-	-	-	0	1	0	-	-	-	-	-
LUXE COFFEE OTTOMAN	60	45	18½	18½	18½	-	1	15	12	60	-	-	-	-	-	0	1	0	-	-	-	-	-
CLASSIC CHAIR	48	40	31½	23¾	18½	23¾	1	15	12	32	22¾	32	13	5¾	11¾	1	1	2	5¾	11¾	8	-	-
LUXE CHAIR	54	45	31½	23¾	18½	23¾	1	15	12	36	25	36	13	5¾	11¾	1	1	2	5¾	11¾	9	-	-
CLASSIC CHAIR-AND-A-HALF	56	40	31½	23¾	18½	23¾	1	15	12	40	22¾	32	13	5¾	11¾	1	1	2	5¾	11¾	8	-	-
LUXE CHAIR-AND-A-HALF	60	45	31½	23¾	18½	23¾	1	15	12	42	25	36	13	5¾	11¾	1	1	2	5¾	11¾	9	-	-
CLASSIC LEFT-ARM CHAISE	46	70	31½	23¾	18½	23¾	1	15	12	38	51½	62	13	5¾	11¾	1	1	2	5¾	11¾	8	-	-

\*ALSO AVAILABLE WITH 1 SEAT CUSHION

# CLOUD COLLECTION



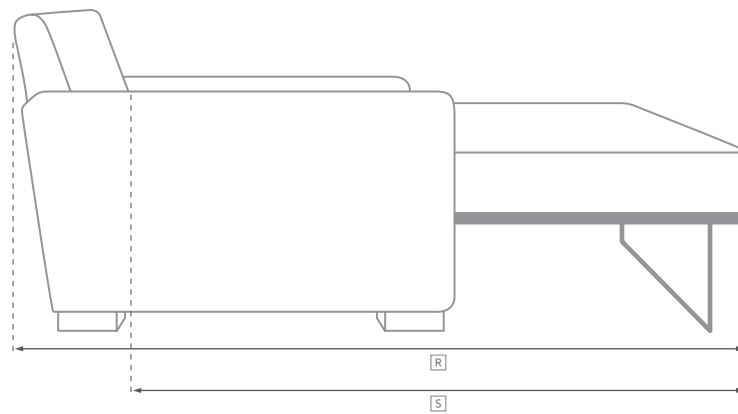
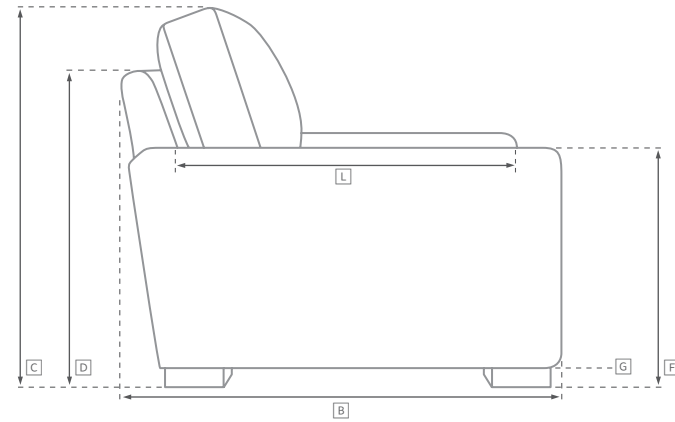
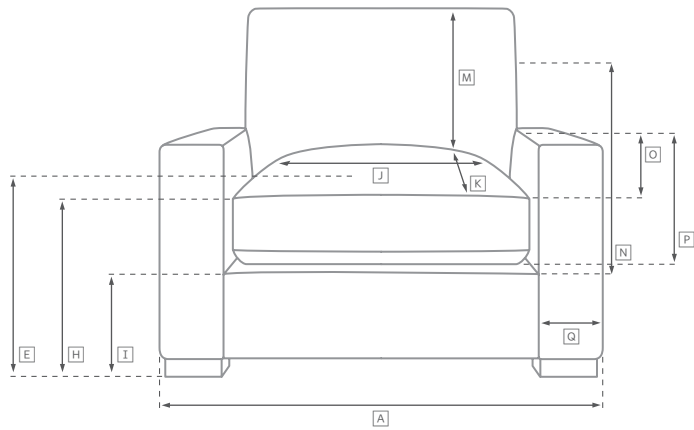
All dimensions are given in inches. See the attached "Dimensions Diagram" sheet for more information on the keys used in this chart.

	A	B	C	D	E	F	G	H	I	J	K	L		M	N				O	P	Q	R	S
	OVERALL WIDTH	OVERALL DEPTH	OVERALL HEIGHT	FRAME HEIGHT	SEAT HEIGHT	ARM HEIGHT	FOOT HEIGHT	SEAT HEIGHT (FLOOR TO CUSHION SEAM)	SEAT HEIGHT (FLOOR TO FRAME)	INSIDE SEAT WIDTH	INSIDE SEAT DEPTH W/ BACK CUSHION	INSIDE SEAT DEPTH W/O BACK CUSHION	INSIDE BACK HEIGHT W/ SEAT & BACK CUSHIONS	INSIDE BACK HEIGHT W/ SEAT CUSHION	INSIDE BACK HEIGHT W/O SEAT OR BACK CUSHION	# OF BACK CUSHIONS	# OF SEAT CUSHIONS	ACCENT PILLOWS	ARM HEIGHT W/ SEAT CUSHION	ARM HEIGHT W/O SEAT CUSHION	ARM WIDTH	SLEEPER DEPTH OVERALL	SLEEPER DEPTH INSIDE
LUXE LEFT-ARM CHAISE	52½	70	31½	23¾	18½	23¾	1	15	12	43½	50¼	61	13	5¼	11¼	1	1	2	5¼	11¼	9	-	-
CLASSIC RIGHT-ARM CHAISE	46	70	31½	23¾	18½	23¾	1	15	12	38	51½	62	13	5¼	11¼	1	1	2	5¼	11¼	8	-	-
LUXE RIGHT-ARM CHAISE	52½	70	31½	23¾	18½	23¾	1	15	12	43½	50¼	61	13	5¼	11¼	1	1	2	5¼	11¼	9	-	-

# UPHOLSTERY DIMENSIONS DIAGRAM

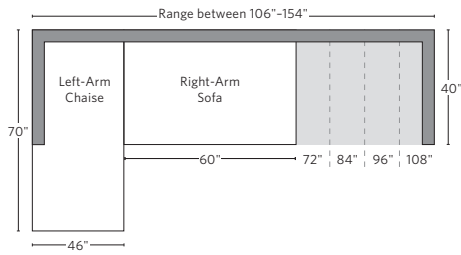
See the "Dimensions Sheet" for the measurements that correspond with the letters below.

RH

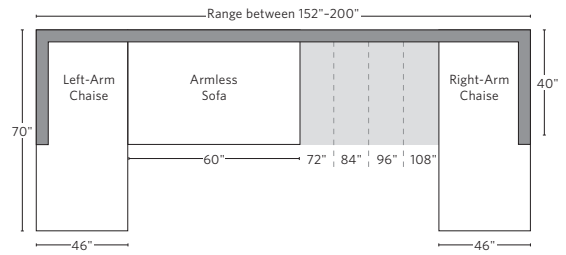


SOFA CHAISE SECTIONAL

Available in left and right-arm configurations.

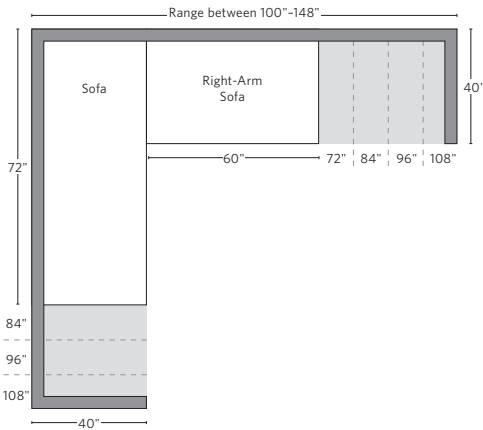


U-CHAISE SECTIONAL



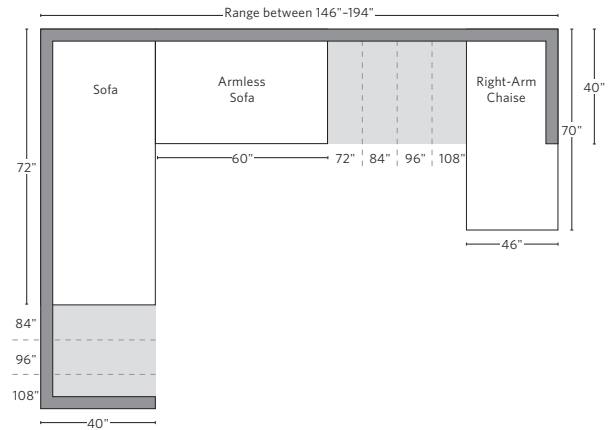
L-SECTIONAL

Available in left and right-arm configurations.

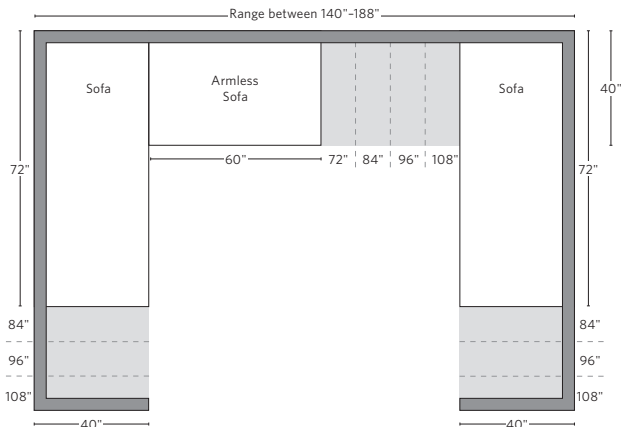


U-SOFA CHAISE SECTIONAL

Available in left and right-arm configurations.



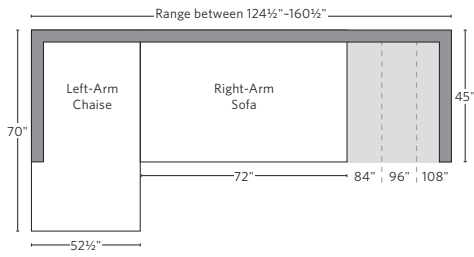
U-SOFA SECTIONAL



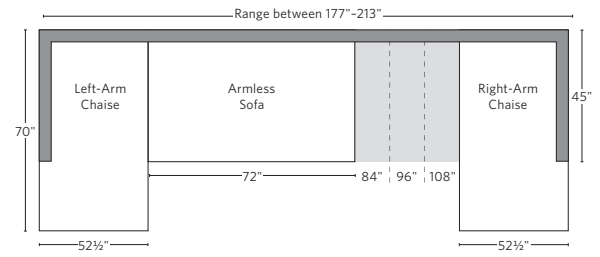
Multiple length options available.

**SOFA CHAISE SECTIONAL**

Available in left and right-arm configurations.

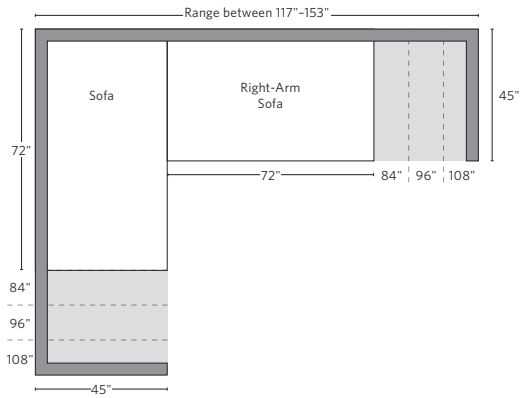


**U-CHAISE SECTIONAL**



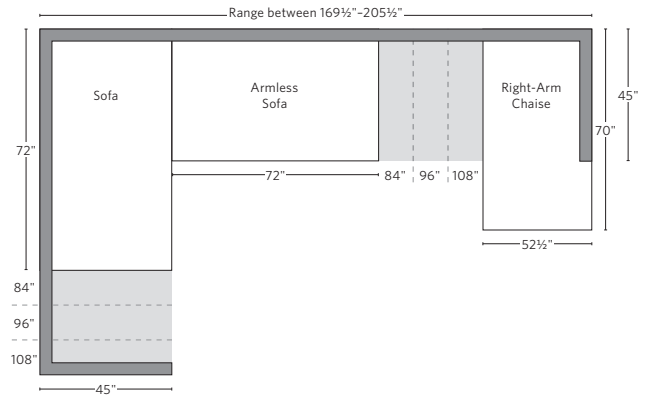
**L-SECTIONAL**

Available in left and right-arm configurations.

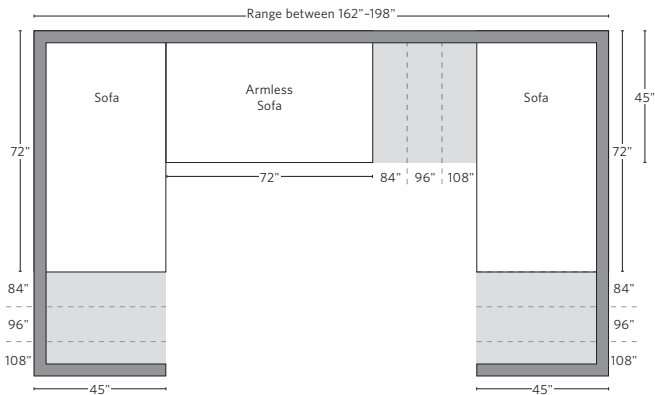


**U-SOFA CHAISE SECTIONAL**

Available in left and right-arm configurations.



**U-SOFA SECTIONAL**



Multiple length options available.