

BELGIAN SHELTER ARM COLLECTION



All dimensions are given in inches. See the attached "Dimensions Diagram" sheet for more information on the keys used in this chart.

	A	B	C	D	E	F	G	H	I	J	K	L		M	N				O	P	Q	R	S
	OVERALL WIDTH	OVERALL DEPTH	OVERALL HEIGHT	FRAME HEIGHT	SEAT HEIGHT	ARM HEIGHT	FOOT HEIGHT	SEAT HEIGHT (FLOOR TO CUSHION SEAM)	SEAT HEIGHT (FLOOR TO FRAME)	INSIDE SEAT WIDTH	INSIDE SEAT DEPTH W/ BACK CUSHION	INSIDE SEAT DEPTH W/O BACK CUSHION	INSIDE BACK HEIGHT W/ SEAT & BACK CUSHIONS	INSIDE BACK HEIGHT W/ SEAT CUSHION	INSIDE BACK HEIGHT W/O SEAT OR BACK CUSHION	# OF BACK CUSHIONS	# OF SEAT CUSHIONS	ACCENT PILLOWS	ARM HEIGHT W/ SEAT CUSHION	ARM HEIGHT W/O SEAT CUSHION	ARM WIDTH	SLEEPER DEPTH OVERALL	SLEEPER DEPTH INSIDE
5' CLASSIC SOFA	60	37	31	31	19	31	2½	17	11	50	24	31	12	12	20	1	1	2	12	20	5	-	-
5' LUXE SOFA	60	41	31	31	19	31	2½	17	11	50	27	36	12	12	20	1	1	2	12	20	5	-	-
6' CLASSIC SOFA	72	37	31	31	19	31	2½	17	11	62	24	31	12	12	20	2	1	2	12	20	5	-	-
6' LUXE SOFA	72	41	31	31	19	31	2½	17	11	62	27	36	12	12	20	2	1	2	12	20	5	-	-
7' CLASSIC SOFA	84	37	31	31	19	31	2½	17	11	74	24	31	12	12	20	2	1	2	12	20	5	-	-
7' LUXE SOFA	84	41	31	31	19	31	2½	17	11	74	27	36	12	12	20	2	1	2	12	20	5	-	-
7' LUXE SLEEPER SOFA	84	41	31	31	19	31	2½	17	11	74	27	36	12	12	20	2	1	2	12	20	5	86½	72
8' CLASSIC SOFA	96	37	31	31	19	31	2½	17	11	86	24	31	12	12	20	3	1	2	12	20	5	-	-
8' LUXE SOFA	96	41	31	31	19	31	2½	17	11	86	27	36	12	12	20	3	1	2	12	20	5	-	-
8' LUXE SLEEPER SOFA	96	41	31	31	19	31	2½	17	11	86	27	36	12	12	20	3	1	2	12	20	5	86½	72
9' CLASSIC SOFA	108	37	31	31	19	31	2½	17	11	98	24	31	12	12	20	3	1	2	12	20	5	-	-
9' LUXE SOFA	108	41	31	31	19	31	2½	17	11	98	27	36	12	12	20	3	1	2	12	20	5	-	-
10' CLASSIC SOFA	120	37	31	31	19	31	2½	17	11	110	24	31	12	12	20	3	1	2	12	20	5	-	-
10' LUXE SOFA	120	41	31	31	19	31	2½	17	11	110	27	36	12	12	20	3	1	2	12	20	5	-	-

BELGIAN SHELTER ARM COLLECTION



All dimensions are given in inches. See the attached "Dimensions Diagram" sheet for more information on the keys used in this chart.

	A	B	C	D	E	F	G	H	I	J	K	L		M	N				O	P	Q	R	S
	OVERALL WIDTH	OVERALL DEPTH	OVERALL HEIGHT	FRAME HEIGHT	SEAT HEIGHT	ARM HEIGHT	FOOT HEIGHT	SEAT HEIGHT (FLOOR TO CUSHION SEAM)	SEAT HEIGHT (FLOOR TO FRAME)	INSIDE SEAT WIDTH	INSIDE SEAT DEPTH W/ BACK CUSHION	INSIDE SEAT DEPTH W/O BACK CUSHION	INSIDE BACK HEIGHT W/ SEAT & BACK CUSHIONS	INSIDE BACK HEIGHT W/ SEAT CUSHION	INSIDE BACK HEIGHT W/O SEAT OR BACK CUSHION	# OF BACK CUSHIONS	# OF SEAT CUSHIONS	ACCENT PILLOWS	ARM HEIGHT W/ SEAT CUSHION	ARM HEIGHT W/O SEAT CUSHION	ARM WIDTH	SLEEPER DEPTH OVERALL	SLEEPER DEPTH INSIDE
CLASSIC CHAIR	44	37	31	31	19	31	2½	17	11	34	24	31	12	12	20	1	1	2	12	20	5	-	-
LUXE CHAIR	44	41	31	31	19	31	2½	17	11	34	27	36	12	12	20	1	1	2	12	20	5	-	-
CLASSIC SWIVEL CHAIR	44	37	31	31	19	31	2½	17	11	34	24	31	12	12	20	1	1	2	12	20	5	-	-
LUXE SWIVEL CHAIR	44	41	31	31	19	31	2½	17	11	34	27	36	12	12	20	1	1	2	12	20	5	-	-
OTTOMAN	37	32	19	19	19	-	2½	17	11	37	-	-	-	-	-	0	1	0	-	-	-	-	-
CLASSIC ARMLESS SOFA	59	37	31	31	19	-	2½	17	11	59	24	31	12	12	20	2	1	0	-	-	-	-	-
LUXE ARMLESS SOFA	67	41	31	31	19	-	2½	17	11	67	27	36	12	12	20	2	1	0	-	-	-	-	-
CLASSIC LEFT-ARM SOFA	62	37	31	31	19	31	2½	17	11	57	24	31	12	12	20	2	1	1	12	20	5	-	-
LUXE LEFT-ARM SOFA	74	41	31	31	19	31	2½	17	11	69	27	36	12	12	20	2	1	1	12	20	5	-	-
CLASSIC RIGHT-ARM SOFA	62	37	31	31	19	31	2½	17	11	57	24	31	12	12	20	2	1	1	12	20	5	-	-
LUXE RIGHT-ARM SOFA	74	41	31	31	19	31	2½	17	11	69	27	36	12	12	20	2	1	1	12	20	5	-	-
CLASSIC ARMLESS CHAIR	30	37	31	31	19	-	2½	17	11	30	24	31	12	12	20	1	1	0	-	-	-	-	-
LUXE ARMLESS CHAIR	34	41	31	31	19	-	2½	17	11	34	27	36	12	12	20	1	1	0	-	-	-	-	-
CLASSIC CORNER CHAIR	37	37	31	31	19	-	2½	17	11	24	24	31	12	12	20	2	1	0	-	-	-	-	-

BELGIAN SHELTER ARM COLLECTION



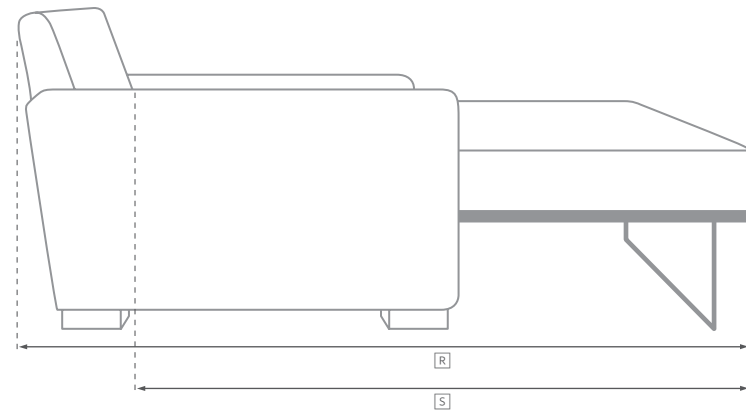
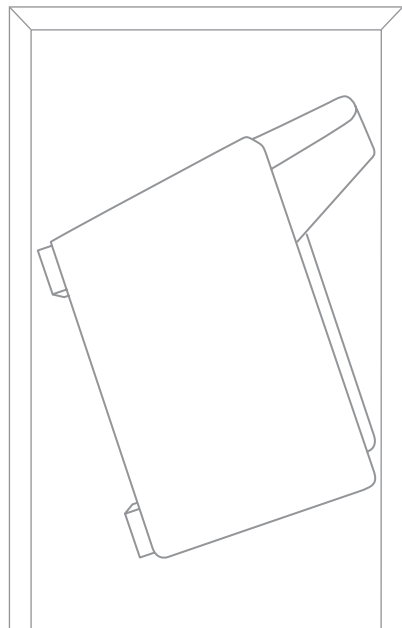
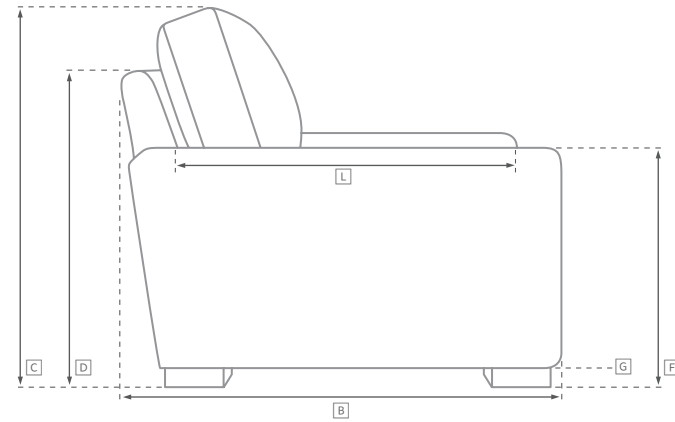
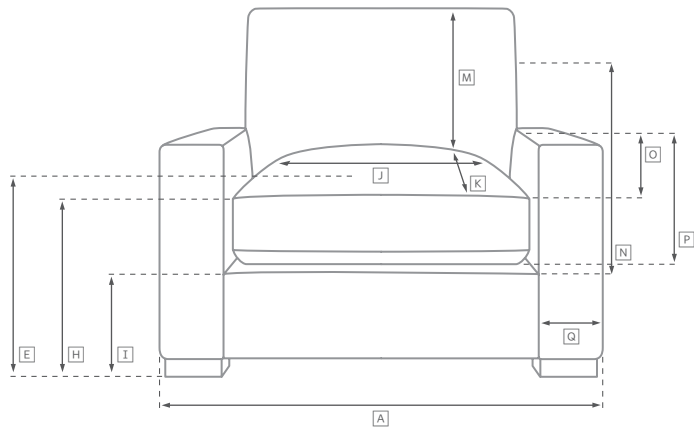
All dimensions are given in inches. See the attached "Dimensions Diagram" sheet for more information on the keys used in this chart.

	A	B	C	D	E	F	G	H	I	J	K	L		M	N				O	P	Q	R	S
	OVERALL WIDTH	OVERALL DEPTH	OVERALL HEIGHT	FRAME HEIGHT	SEAT HEIGHT	ARM HEIGHT	FOOT HEIGHT	SEAT HEIGHT (FLOOR TO CUSHION SEAM)	SEAT HEIGHT (FLOOR TO FRAME)	INSIDE SEAT WIDTH	INSIDE SEAT DEPTH W/ BACK CUSHION	INSIDE SEAT DEPTH W/O BACK CUSHION	INSIDE BACK HEIGHT W/ SEAT & BACK CUSHIONS	INSIDE BACK HEIGHT W/ SEAT CUSHION	INSIDE BACK HEIGHT W/O SEAT OR BACK CUSHION	# OF BACK CUSHIONS	# OF SEAT CUSHIONS	ACCENT PILLOWS	ARM HEIGHT W/ SEAT CUSHION	ARM HEIGHT W/O SEAT CUSHION	ARM WIDTH	SLEEPER DEPTH OVERALL	SLEEPER DEPTH INSIDE
LUXE CORNER CHAIR	41	41	31	31	19	-	2½	17	11	27	27	36	12	12	20	2	1	0	-	-	-	-	-
CLASSIC LEFT-ARM CHAISE	34	70	31	31	19	31	2½	17	11	29	63	56	12	12	20	1	1	1	12	20	5	-	-
LUXE LEFT-ARM CHAISE	41	74	31	31	19	31	2½	17	11	36	67	60	12	12	20	1	1	1	12	20	5	-	-
CLASSIC RIGHT-ARM CHAISE	34	70	31	31	19	31	2½	17	11	29	63	56	12	12	20	1	1	1	12	20	5	-	-
LUXE RIGHT-ARM CHAISE	41	74	31	31	19	31	2½	17	11	36	67	60	12	12	20	1	1	1	12	20	5	-	-

UPHOLSTERY DIMENSIONS DIAGRAM

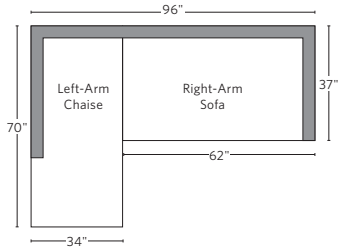
See the "Dimensions Sheet" for the measurements that correspond with the letters below.

RH

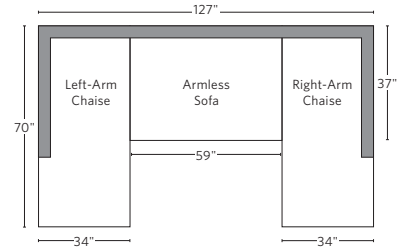


SOFA CHAISE SECTIONAL

Available in left and right-arm configurations.

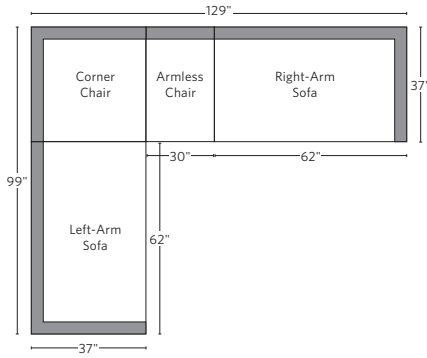


U-CHAISE SECTIONAL

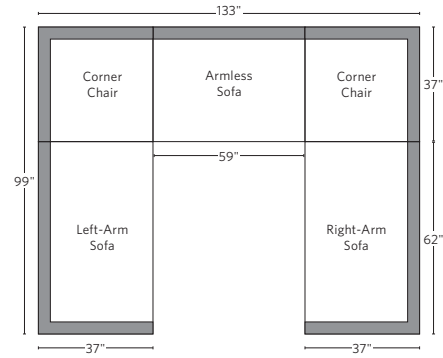


L-SECTIONAL

Available in left and right-arm configurations.

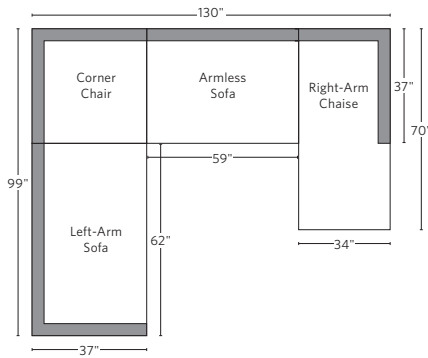


U-SOFA SECTIONAL



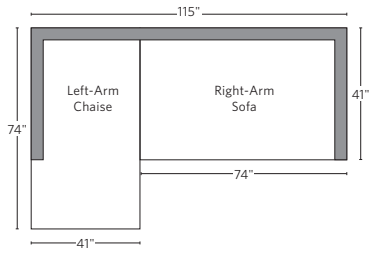
U-SOFA CHAISE SECTIONAL

Available in left and right-arm configurations.

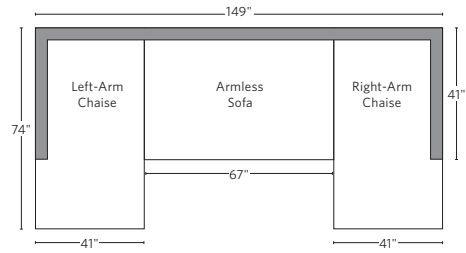


SOFA CHAISE SECTIONAL

Available in left and right-arm configurations.

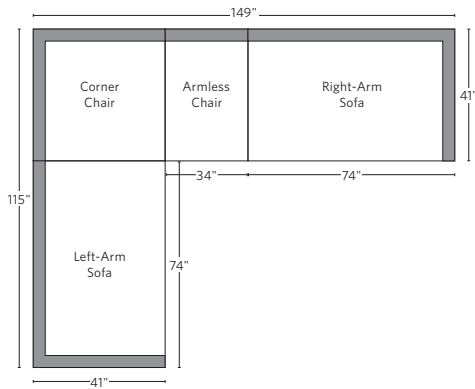


U-CHAISE SECTIONAL

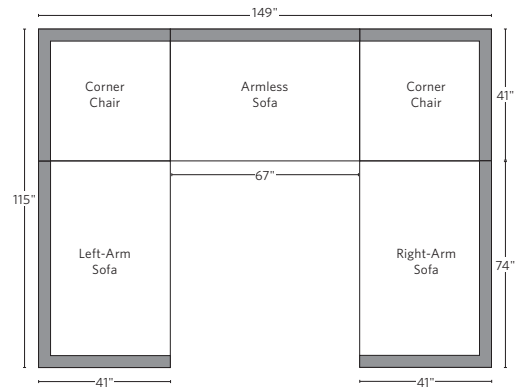


L-SECTIONAL

Available in left and right-arm configurations.



U-SOFA SECTIONAL



U-SOFA CHAISE SECTIONAL

Available in left and right-arm configurations.

