

# BELGIAN CAMELBACK COLLECTION



All dimensions are given in inches. See the attached "Dimensions Diagram" sheet for more information on the keys used in this chart.

BELGIAN CAMELBACK COLLECTION	A	B	C	D	E	F	G	H	I	J	K	L	M	N	O	P	Q	R	T	U	S	MINIMUM CLEARANCE NEEDED FOR DELIVERY
	OVERALL WIDTH	OVERALL DEPTH	OVERALL HEIGHT	FRAME HEIGHT	SEAT HEIGHT	ARM HEIGHT	FOOT HEIGHT	SEAT HEIGHT (FLOOR TO CUSHION SEAM)	SEAT HEIGHT (FLOOR TO FRAME)	INSIDE SEAT WIDTH	INSIDE SEAT DEPTH W/ BACK CUSHION	INSIDE SEAT DEPTH W/O BACK CUSHION	INSIDE BACK HEIGHT W/ SEAT & BACK CUSHIONS	INSIDE BACK HEIGHT W/ SEAT CUSHION	INSIDE BACK HEIGHT W/O SEAT OR BACK CUSHION	ARM HEIGHT W/ SEAT CUSHION ON SEAT	ARM HEIGHT W/O SEAT CUSHION	ARM WIDTH	SLEEPER DEPTH OVERALL	SLEEPER DEPTH INSIDE	DIAGONAL CLEARANCE	MINIMUM CLEARANCE NEEDED FOR DELIVERY
5' CLASSIC SOFA	60	36	33	33	20	26	2	16	12	46	27	27	13	13	21	6	15	7	-	-	26	26
5' LUXE SOFA	60	40	33	33	20	26	2	16	12	46	31	31	13	13	21	6	15	7	-	-	26	26
6' CLASSIC SOFA	72	36	33	33	20	26	2	16	12	58	27	27	13	13	21	6	15	7	-	-	26	26
6' LUXE SOFA	72	40	33	33	20	26	2	16	12	58	31	31	13	13	21	6	15	7	-	-	26	26
7' CLASSIC SOFA	84	36	33	33	20	26	2	16	12	70	27	27	13	13	21	6	15	7	-	-	26	26
7' LUXE SOFA	84	40	33	33	20	26	2	16	12	70	31	31	13	13	21	6	15	7	-	-	26	26
8' CLASSIC SOFA	96	36	33	33	20	26	2	16	12	82	27	27	13	13	21	6	15	7	-	-	26	26
8' LUXE SOFA	96	40	33	33	20	26	2	16	12	82	31	31	13	13	21	6	15	7	-	-	26	26
9' CLASSIC SOFA	108	36	33	33	20	26	2	16	12	94	27	27	13	13	21	6	15	7	-	-	26	26
9' LUXE SOFA	108	40	33	33	20	26	2	16	12	94	31	31	13	13	21	6	15	7	-	-	26	26
10' CLASSIC SOFA	120	36	33	33	20	26	2	16	12	106	27	27	13	13	21	6	15	7	-	-	26	26
10' LUXE SOFA	120	40	33	33	20	26	2	16	12	106	31	31	13	13	21	6	15	7	-	-	26	26
CLASSIC LEFT-ARM SOFA	63	36	33	33	20	26	2	16	12	56	27	27	13	13	21	6	15	7	-	-	26	26

# BELGIAN CAMELBACK COLLECTION



All dimensions are given in inches. See the attached "Dimensions Diagram" sheet for more information on the keys used in this chart.

BELGIAN CAMELBACK COLLECTION	A	B	C	D	E	F	G	H	I	J	K	L	M	N	O	P	Q	R	T	U	S	MINIMUM CLEARANCE NEEDED FOR DELIVERY
	OVERALL WIDTH	OVERALL DEPTH	OVERALL HEIGHT	FRAME HEIGHT	SEAT HEIGHT	ARM HEIGHT	FOOT HEIGHT	SEAT HEIGHT (FLOOR TO CUSHION SEAM)	SEAT HEIGHT (FLOOR TO FRAME)	INSIDE SEAT WIDTH	INSIDE SEAT DEPTH W/ BACK CUSHION	INSIDE SEAT DEPTH W/O BACK CUSHION	INSIDE BACK HEIGHT W/ SEAT & BACK CUSHIONS	INSIDE BACK HEIGHT W/ SEAT CUSHION	INSIDE BACK HEIGHT W/O SEAT OR BACK CUSHION	ARM HEIGHT W/ SEAT CUSHION ON SEAT	ARM HEIGHT W/O SEAT CUSHION	ARM WIDTH	SLEEPER DEPTH OVERALL	SLEEPER DEPTH INSIDE	DIAGONAL CLEARANCE	MINIMUM CLEARANCE NEEDED FOR DELIVERY
LUXE LEFT-ARM SOFA	71	40	33	33	20	26	2	16	12	64	31	31	13	13	21	6	15	7	-	-	26	26
CLASSIC RIGHT-ARM SOFA	63	36	33	33	20	26	2	16	12	56	27	27	13	13	21	6	15	7	-	-	26	26
LUXE RIGHT-ARM SOFA	71	40	33	33	20	26	2	16	12	64	31	31	13	13	21	6	15	7	-	-	26	26
CLASSIC CHAIR	43	36	31	31	20	26	2	16	12	29	27	27	11	11	19	6	15	7	-	-	26	26
LUXE CHAIR	43	40	31	31	20	26	2	16	12	29	31	31	11	11	19	6	15	7	-	-	26	26
CLASSIC SWIVEL CHAIR	43	36	31	31	20	26	2	16	12	29	27	27	11	11	19	6	15	7	-	-	26	26
LUXE SWIVEL CHAIR	43	40	31	31	20	26	2	16	12	29	31	31	11	11	19	6	15	7	-	-	26	26
CHAISE	43	74	33	33	20	26	2	16	12	29	65	65	11	11	19	6	15	7	-	-	26	26
CLASSIC LEFT-ARM CHAISE	34	70	31	31	20	26	2	16	12	27	62	62	11	11	19	6	15	7	-	-	26	26
LUXE LEFT-ARM CHAISE	38	74	31	31	20	26	2	16	12	31	65	65	11	11	19	6	15	7	-	-	26	26
CLASSIC RIGHT-ARM CHAISE	34	70	31	31	20	26	2	16	12	27	62	62	11	11	19	6	15	7	-	-	26	26
LUXE RIGHT-ARM CHAISE	38	74	31	31	20	26	2	16	12	31	65	65	11	11	19	6	15	7	-	-	26	26
DAYBED	96	60	33	33	20	26	2	16	12	82	51	51	13	13	21	6	15	7	-	-	26	26

# BELGIAN CAMELBACK COLLECTION



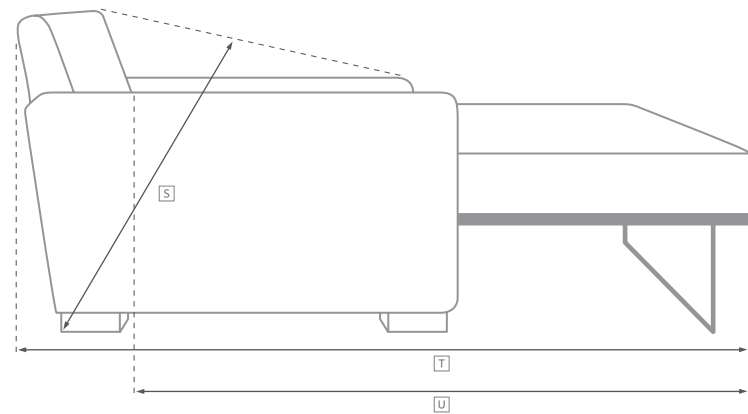
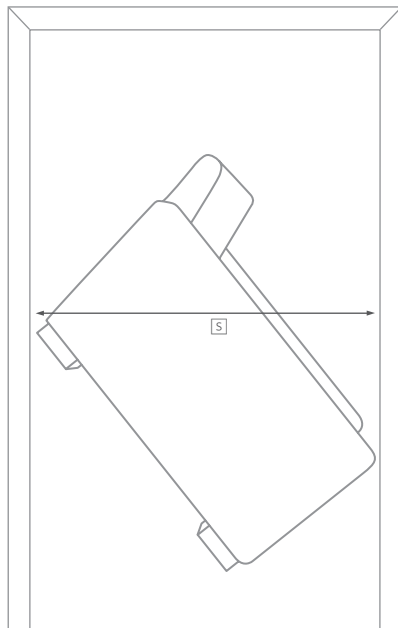
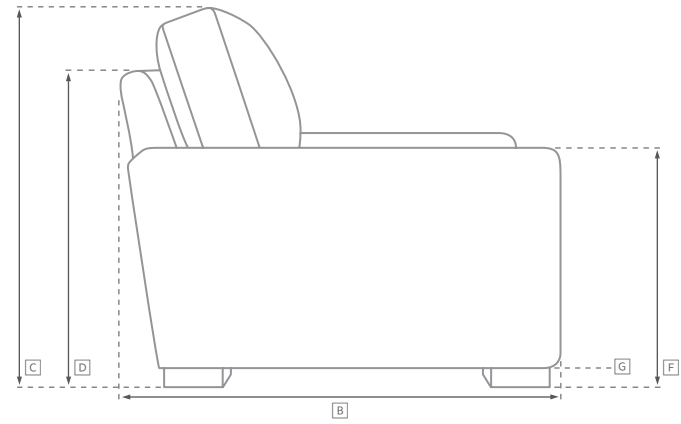
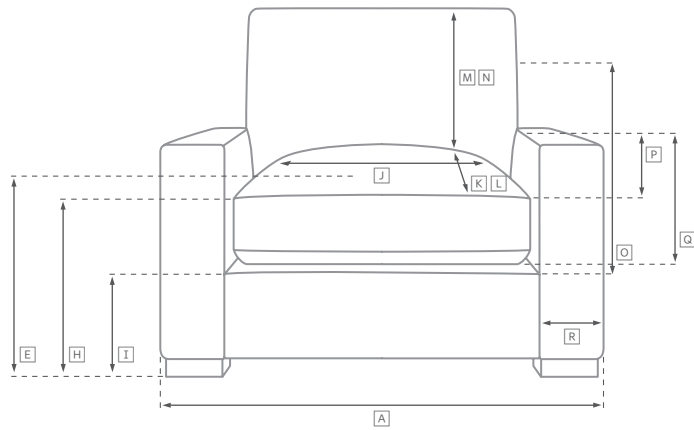
All dimensions are given in inches. See the attached "Dimensions Diagram" sheet for more information on the keys used in this chart.

BELGIAN CAMELBACK COLLECTION	A	B	C	D	E	F	G	H	I	J	K	L	M	N	O	P	Q	R	T	U	S	MINIMUM CLEARANCE NEEDED FOR DELIVERY
	OVERALL WIDTH	OVERALL DEPTH	OVERALL HEIGHT	FRAME HEIGHT	SEAT HEIGHT	ARM HEIGHT	FOOT HEIGHT	SEAT HEIGHT (FLOOR TO CUSHION SEAM)	SEAT HEIGHT (FLOOR TO FRAME)	INSIDE SEAT WIDTH	INSIDE SEAT DEPTH W/ BACK CUSHION	INSIDE SEAT DEPTH W/O BACK CUSHION	INSIDE BACK HEIGHT W/ SEAT & BACK CUSHIONS	INSIDE BACK HEIGHT W/ SEAT CUSHION	INSIDE BACK HEIGHT W/O SEAT OR BACK CUSHION	ARM HEIGHT W/ SEAT CUSHION ON SEAT	ARM HEIGHT W/O SEAT CUSHION	ARM WIDTH	SLEEPER DEPTH OVERALL	SLEEPER DEPTH INSIDE	DIAGONAL CLEARANCE	MINIMUM CLEARANCE NEEDED FOR DELIVERY
OTTOMAN	40	33	20	20	20	-	2	16	12	40	-	-	-	-	-	-	-	-	-	-	20	20
97" CLASSIC LEFT-ARM SOFA CHAISE	97	70	33	33	20	26	2	16	12	-	27	27	13	13	21	6	15	7	-	-	26	26
109" LUXE LEFT-ARM SOFA CHAISE	109	74	33	33	20	26	2	16	12	-	31	31	13	13	21	6	15	7	-	-	26	26
97" CLASSIC RIGHT-ARM SOFA CHAISE	97	70	33	33	20	26	2	16	12	-	27	27	13	13	21	6	15	7	-	-	26	26
109" LUXE RIGHT-ARM SOFA CHAISE	109	74	33	33	20	26	2	16	12	-	31	31	13	13	21	6	15	7	-	-	26	26

# DIMENSIONS DIAGRAM

See the "Dimensions Sheet" for the measurements that correspond with the letters below.

# RH



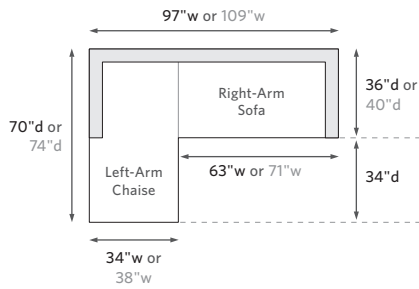
# BELGIAN CAMELBACK COLLECTION

# RH

When configuring a sectional, please choose either Luxe or Classic depth for *all* components.

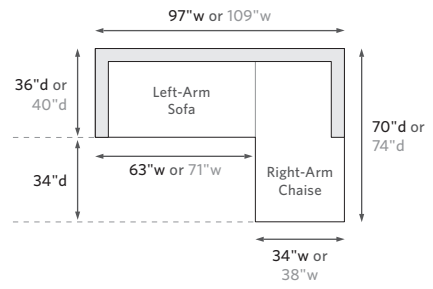
## LEFT-ARM SOFA CHAISE SECTIONAL

97" Left-Arm Sofa Chaise: 97"w x 70"d x 33"h Overall  
109" Left-Arm Sofa Chaise: 109"w x 74"d x 33"h Overall



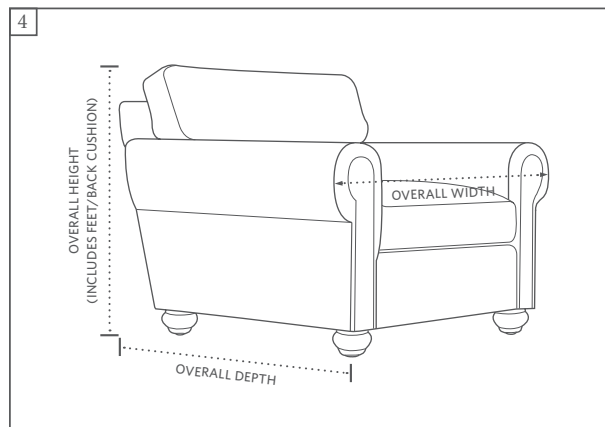
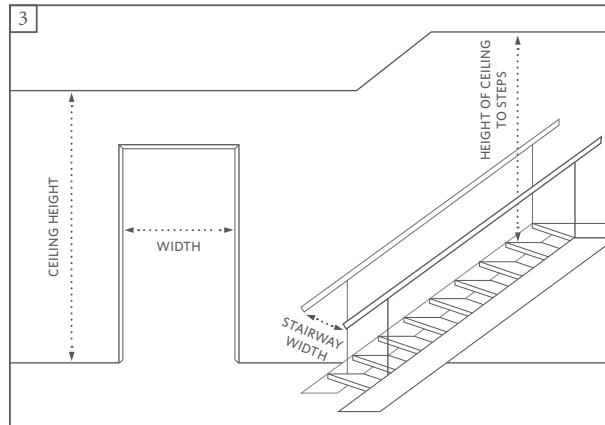
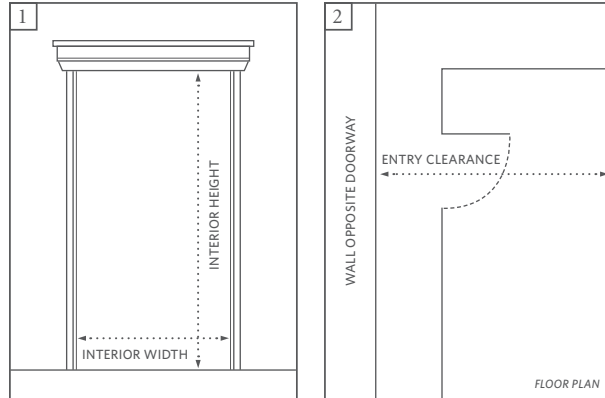
## RIGHT-ARM SOFA CHAISE SECTIONAL

97" Right-Arm Sofa Chaise: 97"w x 70"d x 33"h Overall  
109" Right-Arm Sofa Chaise: 109"w x 74"d x 33"h Overall



Before purchasing any furniture, it's important to ensure it can fit through all the entryways, elevators and stairways of your home. Follow these steps to ensure efficient delivery and avoid returns.

- Determine the best pathway from outside your home to the room where the new item will be placed.
- Make sure all access points are unobstructed and wide enough for the desired item.
- Measure the heights and widths of all entryways, including all stairways and hallways, both inside and outside your home (see 1).
- Measure the interior widths, depths and heights of all elevator doors to be used for delivery.
- Measure your entry clearance - the distance from the wall through the doorway to the opposite wall (see 2).
- Factor in all corners, ceiling height, stairways (heights, widths, angles, bannisters), and low hanging fixtures. Also account for any architectural details (see 3).
- Compare your measurements from above to the item's "minimum clearance" measurement online.
- To ensure successful delivery, the item's minimum clearance measurement must not exceed the height or width of any of the entryways (elevators and stairways included) to be used for delivery.
- Note that the furniture measurements we provide reflect overall dimensions, and overhangs, angles and outward curves will be included (see 4).



☑ Unlimited Furniture Delivery at a low flat rate based on delivery area. See a store associate or our website for details.

At Restoration Hardware, we take pride in the exceptional quality and craftsmanship of our furniture. Our attention to detail in design, material and construction is unyielding. And so is our commitment to customer satisfaction.

We carefully inspect each furniture item prior to shipment, and also require your inspection and signature upon delivery. Should you discover a defect in your furniture, however, please contact us at 800.910.9836 immediately. Furniture that is refused because it does not fit through an entryway will be refunded in merchandise or store credit only. Visit [restorationhardware.com](http://restorationhardware.com) for more information on returns.

Please call Customer Service at 800.910.9836 with any questions you may have.