

# BELGIAN SLOPE ARM COLLECTION



All dimensions are given in inches. See the attached "Dimensions Diagram" sheet for more information on the keys used in this chart.

	A	B	C	D	E	F	G	H	I	J	K	L		M	N				O	P	Q	R	S
	OVERALL WIDTH	OVERALL DEPTH	OVERALL HEIGHT	FRAME HEIGHT	SEAT HEIGHT	ARM HEIGHT	FOOT HEIGHT	SEAT HEIGHT (FLOOR TO CUSHION SEAM)	SEAT HEIGHT (FLOOR TO FRAME)	INSIDE SEAT WIDTH	INSIDE SEAT DEPTH W/ BACK CUSHION	INSIDE SEAT DEPTH W/O BACK CUSHION	INSIDE BACK HEIGHT W/ SEAT & BACK CUSHIONS	INSIDE BACK HEIGHT W/ SEAT CUSHION	INSIDE BACK HEIGHT W/O SEAT OR BACK CUSHION	# OF BACK CUSHIONS	# OF SEAT CUSHIONS	ACCENT PILLOWS	ARM HEIGHT W/ SEAT CUSHION	ARM HEIGHT W/O SEAT CUSHION	ARM WIDTH	SLEEPER DEPTH OVERALL	SLEEPER DEPTH INSIDE
5' PETTIE SOFA	60	34	28	28	16½	21½	2	14½	10	52½	20	27	11½	11½	18	1	1	-	5	11½	3¾	-	-
5' CLASSIC SOFA	60	37	31	30	19	23	2	18	12	49½	22½	30	12	11	18	1	1	-	4	11	5¾	-	-
5' LUXE SOFA	60	42	33	31	20½	24	2	18	12	49½	26	35	12½	10½	19	1	1	-	3½	12	5¾	-	-
6' PETTIE SOFA	72	34	28	28	16½	21½	2	14½	10	64½	20	27	11½	11½	18	2	1	-	5	11½	3¾	-	-
6' CLASSIC SOFA	72	37	31	30	19	23	2	18	12	61½	22½	30	12	11	18	2	1	2	4	11	5¾	-	-
6' LUXE SOFA	72	42	33	31	20½	24	2	18	12	61½	26	35	12½	10½	19	2	1	2	3½	12	5¾	-	-
7' PETTIE SOFA	84	34	28	28	16½	21½	2	14½	10	76½	20	27	11½	11½	18	2	1	-	5	11½	3¾	-	-
7' CLASSIC SOFA	84	37	31	30	19	23	2	18	12	73½	22½	30	12	11	18	2	1	2	4	11	5¾	-	-
7' CLASSIC SOFA (2 CUSHION)	84	37	31	30	19	23	2	18	12	73½	22½	30	12	11	18	2	2	2	4	11	5¾	-	-
7' LUXE SOFA	84	42	33	31	20½	24	2	18	12	73½	26	35	12½	10½	19	2	1	2	3½	12	5¾	-	-
7' LUXE SOFA (2 CUSHION)	84	42	33	31	20½	24	2	18	12	73½	26	35	12½	10½	19	2	2	2	3½	12	5¾	-	-
7' LUXE SLEEPER SOFA	84	42	33	31	20½	24	2	18	12	73½	26	35	12½	10½	19	2	1	2	3½	12	5¾	87½	61
8' PETTIE SOFA	96	34	28	28	16½	21½	2	14½	10	88½	20	27	11½	11½	18	2	1	-	5	11½	3¾	-	-
8' CLASSIC SOFA	96	37	31	30	19	23	2	18	12	85½	22½	30	12	11	18	2	1	2	4	11	5¾	-	-

# BELGIAN SLOPE ARM COLLECTION



All dimensions are given in inches. See the attached "Dimensions Diagram" sheet for more information on the keys used in this chart.

	A	B	C	D	E	F	G	H	I	J	K	L		M	N				O	P	Q	R	S
	OVERALL WIDTH	OVERALL DEPTH	OVERALL HEIGHT	FRAME HEIGHT	SEAT HEIGHT	ARM HEIGHT	FOOT HEIGHT	SEAT HEIGHT (FLOOR TO CUSHION SEAM)	SEAT HEIGHT (FLOOR TO FRAME)	INSIDE SEAT WIDTH	INSIDE SEAT DEPTH W/ BACK CUSHION	INSIDE SEAT DEPTH W/O BACK CUSHION	INSIDE BACK HEIGHT W/ SEAT & BACK CUSHIONS	INSIDE BACK HEIGHT W/ SEAT CUSHION	INSIDE BACK HEIGHT W/O SEAT OR BACK CUSHION	# OF BACK CUSHIONS	# OF SEAT CUSHIONS	ACCENT PILLOWS	ARM HEIGHT W/ SEAT CUSHION	ARM HEIGHT W/O SEAT CUSHION	ARM WIDTH	SLEEPER DEPTH OVERALL	SLEEPER DEPTH INSIDE
8' CLASSIC SOFA (2 CUSHION)	96	37	31	30	19	23	2	18	12	85½	22½	30	12	11	18	2	2	2	4	11	5¾	-	-
8' LUXE SOFA	96	42	33	31	20½	24	2	18	12	85½	26	35	12½	10½	19	2	1	2	3½	12	5¾	-	-
8' LUXE SOFA (2 CUSHION)	96	42	33	31	20½	24	2	18	12	85½	26	35	12½	10½	19	2	2	2	3½	12	5¾	-	-
8' LUXE SLEEPER SOFA	96	42	33	31	20½	24	2	18	12	85½	26	35	12½	10½	19	2	1	2	3½	12	5¾	87½	61
9' PETITE SOFA	108	34	28	28	16½	21½	2	14½	10	100½	20	27	11½	11½	18	2	1	-	5	11½	3¾	-	-
9' CLASSIC SOFA	108	37	31	30	19	23	2	18	12	97½	22½	30	12	11	18	2	1	2	4	11	5¾	-	-
9' CLASSIC SOFA (2 CUSHION)	108	37	31	30	19	23	2	18	12	97½	22½	30	12	11	18	2	2	2	4	11	5¾	-	-
9' LUXE SOFA	108	42	33	31	20½	24	2	18	12	97½	26	35	12½	10½	19	2	1	2	3½	12	5¾	-	-
9' LUXE SOFA (2 CUSHION)	108	42	33	31	20½	24	2	18	12	97½	26	35	12½	10½	19	2	2	2	3½	12	5¾	-	-
10' PETITE SOFA	120	34	28	28	16½	21½	2	14½	10	112½	20	27	11½	11½	18	2	1	-	5	11½	3¾	-	-
10' CLASSIC SOFA	120	37	31	30	19	23	2	18	12	109½	22½	30	12	11	18	2	1	2	4	11	5¾	-	-
10' LUXE SOFA	120	42	33	31	20½	24	2	18	12	109½	26	35	12½	10½	19	2	1	2	3½	12	5¾	-	-
PETITE CHAIR	31	34	28	28	16½	21½	2	14½	10	23½	20	27	11½	11½	18	1	1	-	5	11½	3¾	-	-
CLASSIC CHAIR	35	37	31	30	19	23	2	18	12	24½	22½	30	12	11	18	1	1	-	4	11	5¾	-	-

# BELGIAN SLOPE ARM COLLECTION



All dimensions are given in inches. See the attached "Dimensions Diagram" sheet for more information on the keys used in this chart.

	A	B	C	D	E	F	G	H	I	J	K	L		M	N				O	P	Q	R	S
	OVERALL WIDTH	OVERALL DEPTH	OVERALL HEIGHT	FRAME HEIGHT	SEAT HEIGHT	ARM HEIGHT	FOOT HEIGHT	SEAT HEIGHT (FLOOR TO CUSHION SEAM)	SEAT HEIGHT (FLOOR TO FRAME)	INSIDE SEAT WIDTH	INSIDE SEAT DEPTH W/ BACK CUSHION	INSIDE SEAT DEPTH W/O BACK CUSHION	INSIDE BACK HEIGHT W/ SEAT & BACK CUSHIONS	INSIDE BACK HEIGHT W/ SEAT CUSHION	INSIDE BACK HEIGHT W/O SEAT OR BACK CUSHION	# OF BACK CUSHIONS	# OF SEAT CUSHIONS	ACCENT PILLOWS	ARM HEIGHT W/ SEAT CUSHION	ARM HEIGHT W/O SEAT CUSHION	ARM WIDTH	SLEEPER DEPTH OVERALL	SLEEPER DEPTH INSIDE
LUXE CHAIR	40	42	33	31	20½	24	2	18	12	29½	26	35	12½	10½	19	1	1	-	3½	12	5¾	-	-
PETTE CHAIR-AND-HALF	50	34	28	28	16½	21½	2	14½	10	42½	20	27	11½	11½	18	1	1	-	5	11½	3¾	-	-
CLASSIC CHAIR-AND-HALF	50	37	31	30	19	23	2	18	12	39½	22½	30	12	11	18	1	1	1	4	11	5¾	-	-
LUXE CHAIR-AND-HALF	50	42	33	31	20½	24	2	18	12	39½	26	35	12½	10½	19	1	1	1	3½	12	5¾	-	-
CLASSIC SWIVEL CHAIR	35	37	31	30	19	23	-	18	12	24½	22½	30	12	11	18	1	1	-	4	11	5¾	-	-
LUXE SWIVEL CHAIR	40	42	33	31	20½	24	2	18	12	29½	26	35	12½	10½	19	1	1	-	3½	12	5¾	-	-
CHAISE	39	72	33	31	20½	24	2	18	12	29½	56	65	12½	10½	19	1	1	-	3½	12	5¾	-	-
DAYBED	96	60	33	31	20½	24	2	18	12	85½	44	53	12½	10½	19	2	1	2	3½	12	5¾	-	-
PETTE OTTOMAN	31	31	16	16	16	-	2	14	10	31	-	-	-	-	-	-	-	-	-	-	-	-	-
OTTOMAN	40	33	19	19	19	-	2	18	12	40	-	-	-	-	-	-	-	-	-	-	-	-	-
5' PETTE ARMLESS SOFA	60	34	28	28	16½	-	2	14½	10	60	20	27	11½	11½	18	2	1	-	-	-	-	-	-
5' CLASSIC ARMLESS SOFA	60	37	31	30	19	-	2	18	12	60	22½	30	12	11	18	2	1	-	-	-	-	-	-
6' PETTE ARMLESS SOFA	72	34	28	28	16½	-	2	14½	10	72	20	27	11½	11½	18	2	1	-	-	-	-	-	-
6' CLASSIC ARMLESS SOFA	72	37	31	30	19	-	2	18	12	72	22½	30	12	11	18	2	1	-	-	-	-	-	-

# BELGIAN SLOPE ARM COLLECTION



All dimensions are given in inches. See the attached "Dimensions Diagram" sheet for more information on the keys used in this chart.

	A	B	C	D	E	F	G	H	I	J	K	L		M	N				O	P	Q	R	S
	OVERALL WIDTH	OVERALL DEPTH	OVERALL HEIGHT	FRAME HEIGHT	SEAT HEIGHT	ARM HEIGHT	FOOT HEIGHT	SEAT HEIGHT (FLOOR TO CUSHION SEAM)	SEAT HEIGHT (FLOOR TO FRAME)	INSIDE SEAT WIDTH	INSIDE SEAT DEPTH W/ BACK CUSHION	INSIDE SEAT DEPTH W/O BACK CUSHION	INSIDE BACK HEIGHT W/ SEAT & BACK CUSHIONS	INSIDE BACK HEIGHT W/ SEAT CUSHION	INSIDE BACK HEIGHT W/O SEAT OR BACK CUSHION	# OF BACK CUSHIONS	# OF SEAT CUSHIONS	ACCENT PILLOWS	ARM HEIGHT W/ SEAT CUSHION	ARM HEIGHT W/O SEAT CUSHION	ARM WIDTH	SLEEPER DEPTH OVERALL	SLEEPER DEPTH INSIDE
6' LUXE ARMLESS SOFA	72	42	33	31	20½	-	2	18	12	72	26	35	12½	10½	19	2	1	-	-	-	-	-	-
7' PETITE ARMLESS SOFA	84	34	28	28	16½	-	2	14½	10	84	20	27	11½	11½	18	2	1	-	-	-	-	-	-
7' CLASSIC ARMLESS SOFA	84	37	31	30	19	-	2	18	12	84	22½	30	12	11	18	2	1	-	-	-	-	-	-
7' LUXE ARMLESS SOFA	84	42	33	31	20½	-	2	18	12	84	26	35	12½	10½	19	2	1	-	-	-	-	-	-
8' PETITE ARMLESS SOFA	96	34	28	28	16½	-	2	14½	10	96	20	27	11½	11½	18	2	1	-	-	-	-	-	-
8' CLASSIC ARMLESS SOFA	96	37	31	30	19	-	2	18	12	96	22½	30	12	11	18	2	1	-	-	-	-	-	-
8' LUXE ARMLESS SOFA	96	42	33	31	20½	-	2	18	12	96	26	35	12½	10½	19	2	1	-	-	-	-	-	-
9' PETITE ARMLESS SOFA	108	34	28	28	16½	-	2	14½	10	108	20	27	11½	11½	18	2	1	-	-	-	-	-	-
9' CLASSIC ARMLESS SOFA	108	37	31	30	19	-	2	18	12	108	22½	30	12	11	18	2	1	-	-	-	-	-	-
9' LUXE ARMLESS SOFA	108	42	33	31	20½	-	2	18	12	108	26	35	12½	10½	19	2	1	-	-	-	-	-	-
10' LUXE ARMLESS SOFA	120	42	33	31	20½	-	2	18	12	120	26	35	12½	10½	19	2	1	-	-	-	-	-	-
5' PETITE LEFT-ARM SOFA	60	34	28	28	16½	21½	2	14½	10	56¾	20	27	11½	11½	18	2	1	-	5	11½	3¾	-	-
5' PETITE RIGHT-ARM SOFA	60	34	28	28	16½	21½	2	14½	10	56¾	20	27	11½	11½	18	2	1	-	5	11½	3¾	-	-
5' CLASSIC LEFT-ARM SOFA	60	37	31	30	19	23	2	18	12	54¾	22½	30	12	11	18	2	1	-	4	11	5¾	-	-

# BELGIAN SLOPE ARM COLLECTION



All dimensions are given in inches. See the attached "Dimensions Diagram" sheet for more information on the keys used in this chart.

	A	B	C	D	E	F	G	H	I	J	K	L		M	N				O	P	Q	R	S
	OVERALL WIDTH	OVERALL DEPTH	OVERALL HEIGHT	FRAME HEIGHT	SEAT HEIGHT	ARM HEIGHT	FOOT HEIGHT	SEAT HEIGHT (FLOOR TO CUSHION SEAM)	SEAT HEIGHT (FLOOR TO FRAME)	INSIDE SEAT WIDTH	INSIDE SEAT DEPTH W/ BACK CUSHION	INSIDE SEAT DEPTH W/O BACK CUSHION	INSIDE BACK HEIGHT W/ SEAT & BACK CUSHIONS	INSIDE BACK HEIGHT W/ SEAT CUSHION	INSIDE BACK HEIGHT W/O SEAT OR BACK CUSHION	# OF BACK CUSHIONS	# OF SEAT CUSHIONS	ACCENT PILLOWS	ARM HEIGHT W/ SEAT CUSHION	ARM HEIGHT W/O SEAT CUSHION	ARM WIDTH	SLEEPER DEPTH OVERALL	SLEEPER DEPTH INSIDE
5' CLASSIC RIGHT-ARM SOFA	60	37	31	30	19	23	2	18	12	54¾	22½	30	12	11	18	2	1	-	4	11	5¾	-	-
6' PETITE LEFT-ARM SOFA	72	34	28	28	16½	21½	2	14½	10	68¾	20	27	11½	11½	18	2	1	-	5	11½	3¾	-	-
6' PETITE RIGHT-ARM SOFA	72	34	28	28	16½	21½	2	14½	10	68¾	20	27	11½	11½	18	2	1	-	5	11½	3¾	-	-
6' CLASSIC LEFT-ARM SOFA	72	37	31	30	19	23	2	18	12	66¾	22½	30	12	11	18	2	1	-	4	11	5¾	-	-
6' CLASSIC RIGHT-ARM SOFA	72	37	31	30	19	23	2	18	12	66¾	22½	30	12	11	18	2	1	-	4	11	5¾	-	-
6' LUXE LEFT-ARM SOFA	72	42	33	31	20½	24	2	18	12	66¾	26	35	12½	10½	19	2	1	-	3½	12	5¾	-	-
6' LUXE RIGHT-ARM SOFA	72	42	33	31	20½	24	2	18	12	66¾	26	35	12½	10½	19	2	1	-	3½	12	5¾	-	-
7' PETITE LEFT-ARM SOFA	84	34	28	28	16½	21½	2	14½	10	80¾	20	27	11½	11½	18	2	1	-	5	11½	3¾	-	-
7' PETITE RIGHT-ARM SOFA	84	34	28	28	16½	21½	2	14½	10	80¾	20	27	11½	11½	18	2	1	-	5	11½	3¾	-	-
7' CLASSIC LEFT-ARM SOFA	84	37	31	30	19	23	2	18	12	78¾	22½	30	12	11	18	2	1	-	4	11	5¾	-	-
7' CLASSIC RIGHT-ARM SOFA	84	37	31	30	19	23	2	18	12	78¾	22½	30	12	11	18	2	1	-	4	11	5¾	-	-
7' LUXE LEFT-ARM SOFA	84	42	33	31	20½	24	2	18	12	78¾	26	35	12½	10½	19	2	1	-	3½	12	5¾	-	-
7' LUXE RIGHT-ARM SOFA	84	42	33	31	20½	24	2	18	12	78¾	26	35	12½	10½	19	2	1	-	3½	12	5¾	-	-
8' PETITE LEFT-ARM SOFA	96	34	28	28	16½	21½	2	14½	10	92¾	20	27	11½	11½	18	2	1	-	5	11½	3¾	-	-

# BELGIAN SLOPE ARM COLLECTION



All dimensions are given in inches. See the attached "Dimensions Diagram" sheet for more information on the keys used in this chart.

	OVERALL WIDTH A	OVERALL DEPTH B	OVERALL HEIGHT C	FRAME HEIGHT D	SEAT HEIGHT E	ARM HEIGHT F	FOOT HEIGHT G	SEAT HEIGHT (FLOOR TO CUSHION SEAM) H	SEAT HEIGHT (FLOOR TO FRAME) I	INSIDE SEAT WIDTH J	INSIDE SEAT DEPTH W/ BACK CUSHION K	INSIDE SEAT DEPTH W/O BACK CUSHION L	INSIDE BACK HEIGHT W/ SEAT & BACK CUSHIONS M	INSIDE BACK HEIGHT W/ SEAT CUSHION N	# OF BACK CUSHIONS	# OF SEAT CUSHIONS	ACCENT PILLOWS	ARM HEIGHT W/ SEAT CUSHION O	ARM HEIGHT W/O SEAT CUSHION P	ARM WIDTH Q	SLEEPER DEPTH OVERALL R	SLEEPER DEPTH INSIDE S	
8' PETITE RIGHT-ARM SOFA	96	34	28	28	16½	21½	2	14½	10	92¾	20	27	11½	11½	18	2	1	-	5	11½	3¾	-	-
8' CLASSIC LEFT-ARM SOFA	96	37	31	30	19	23	2	18	12	90¾	22½	30	12	11	18	2	1	-	4	11	5¾	-	-
8' CLASSIC RIGHT-ARM SOFA	96	37	31	30	19	23	2	18	12	90¾	22½	30	12	11	18	2	1	-	4	11	5¾	-	-
8' LUXE LEFT-ARM SOFA	96	42	33	31	20½	24	2	18	12	90¾	26	35	12½	10½	19	2	1	-	3½	12	5¾	-	-
8' LUXE RIGHT-ARM SOFA	96	42	33	31	20½	24	2	18	12	90¾	26	35	12½	10½	19	2	1	-	3½	12	5¾	-	-
9' PETITE LEFT-ARM SOFA	108	34	28	28	16½	21½	2	14½	10	104¾	20	27	11½	11½	18	2	1	-	5	11½	3¾	-	-
9' PETITE RIGHT-ARM SOFA	108	34	28	28	16½	21½	2	14½	10	104¾	20	27	11½	11½	18	2	1	-	5	11½	3¾	-	-
9' CLASSIC LEFT-ARM SOFA	108	37	31	30	19	23	2	18	12	103	22½	30	12	11	18	2	1	-	4	11	5¾	-	-
9' CLASSIC RIGHT-ARM SOFA	108	37	31	30	19	23	2	18	12	103	22½	30	12	11	18	2	1	-	4	11	5¾	-	-
9' LUXE LEFT-ARM SOFA	108	42	33	31	20½	24	2	18	12	103	26	35	12½	10½	19	2	1	-	3½	12	5¾	-	-
9' LUXE RIGHT-ARM SOFA	108	42	33	31	20½	24	2	18	12	103	26	35	12½	10½	19	2	1	-	3½	12	5¾	-	-
10' LUXE LEFT-ARM SOFA	120	42	33	31	20½	24	2	18	12	115	26	35	12½	10½	19	2	1	-	3½	12	5¾	-	-
10' LUXE RIGHT-ARM SOFA	120	42	33	31	20½	24	2	18	12	115	26	35	12½	10½	19	2	1	-	3½	12	5¾	-	-
7' PETITE LEFT-ARM RETURN SOFA	84	34	28	28	16½	21½	2	14½	10	74¾	20	27	11½	11½	18	4	1	-	5	11½	3¾	-	-

# BELGIAN SLOPE ARM COLLECTION



All dimensions are given in inches. See the attached "Dimensions Diagram" sheet for more information on the keys used in this chart.

	OVERALL WIDTH A	OVERALL DEPTH B	OVERALL HEIGHT C	FRAME HEIGHT D	SEAT HEIGHT E	ARM HEIGHT F	FOOT HEIGHT G	SEAT HEIGHT (FLOOR TO CUSHION SEAM) H	SEAT HEIGHT (FLOOR TO FRAME) I	INSIDE SEAT WIDTH J	INSIDE SEAT DEPTH W/ BACK CUSHION K	INSIDE SEAT DEPTH W/O BACK CUSHION L	INSIDE BACK HEIGHT W/ SEAT & BACK CUSHIONS M	INSIDE BACK HEIGHT W/ SEAT CUSHION N	# OF BACK CUSHIONS	# OF SEAT CUSHIONS	ACCENT PILLOWS	ARM HEIGHT W/ SEAT CUSHION O	ARM HEIGHT W/O SEAT CUSHION P	ARM WIDTH Q	SLEEPER DEPTH OVERALL R	SLEEPER DEPTH INSIDE S	
7' PETITE RIGHT-ARM RETURN SOFA	84	34	28	28	16½	21½	2	14½	10	74¾	20	27	11½	11½	18	4	1	-	5	11½	3¾	-	-
7' CLASSIC LEFT-ARM RETURN SOFA	84	37	31	30	19	23	2	18	12	72	22½	30	12	11	18	4	1	-	4	11	5¾	-	-
7' CLASSIC RIGHT-ARM RETURN SOFA	84	37	31	30	19	23	2	18	12	72	22½	30	12	11	18	4	1	-	4	11	5¾	-	-
7' LUXE LEFT-ARM RETURN SOFA	84	42	33	31	20½	24	2	18	12	72	26	35	12½	10½	19	4	1	-	3½	12	5¾	-	-
7' LUXE RIGHT-ARM RETURN SOFA	84	42	33	31	20½	24	2	18	12	72	26	35	12½	10½	19	4	1	-	3½	12	5¾	-	-
8' PETITE LEFT-ARM RETURN SOFA	96	34	28	28	16½	21½	2	14½	10	86¾	20	27	11½	11½	18	4	1	-	5	11½	3¾	-	-
8' PETITE RIGHT-ARM RETURN SOFA	96	34	28	28	16½	21½	2	14½	10	86¾	20	27	11½	11½	18	4	1	-	5	11½	3¾	-	-
8' CLASSIC LEFT-ARM RETURN SOFA	96	37	31	30	19	23	2	18	12	84	22½	30	12	11	18	4	1	-	4	11	5¾	-	-
8' CLASSIC RIGHT-ARM RETURN SOFA	96	37	31	30	19	23	2	18	12	84	22½	30	12	11	18	4	1	-	4	11	5¾	-	-
8' LUXE LEFT-ARM RETURN SOFA	96	42	33	31	20½	24	2	18	12	84	26	35	12½	10½	19	4	1	-	3½	12	5¾	-	-
8' LUXE RIGHT-ARM RETURN SOFA	96	42	33	31	20½	24	2	18	12	84	26	35	12½	10½	19	4	1	-	3½	12	5¾	-	-
9' PETITE LEFT-ARM RETURN SOFA	108	34	28	28	16½	21½	2	14½	10	98¾	20	27	11½	11½	18	4	1	-	5	11½	3¾	-	-
9' PETITE RIGHT-ARM RETURN SOFA	108	34	28	28	16½	21½	2	14½	10	98¾	20	27	11½	11½	18	4	1	-	5	11½	3¾	-	-
9' CLASSIC LEFT-ARM RETURN SOFA	108	37	31	30	19	23	2	18	12	96	22½	30	12	11	18	4	1	-	4	11	5¾	-	-

# BELGIAN SLOPE ARM COLLECTION



All dimensions are given in inches. See the attached "Dimensions Diagram" sheet for more information on the keys used in this chart.

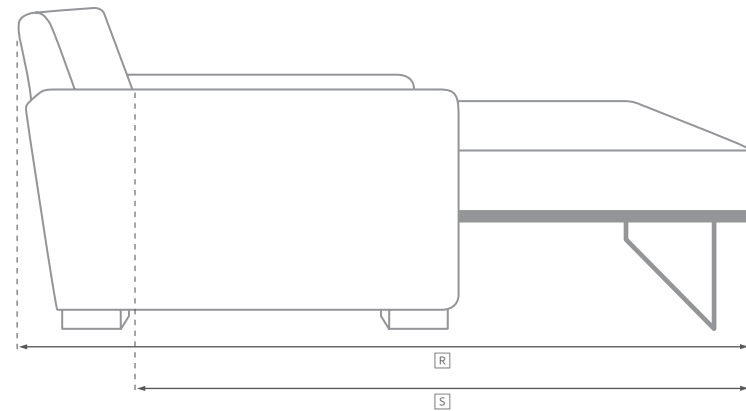
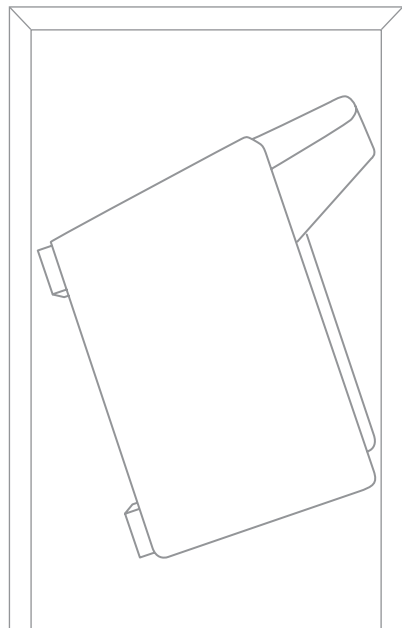
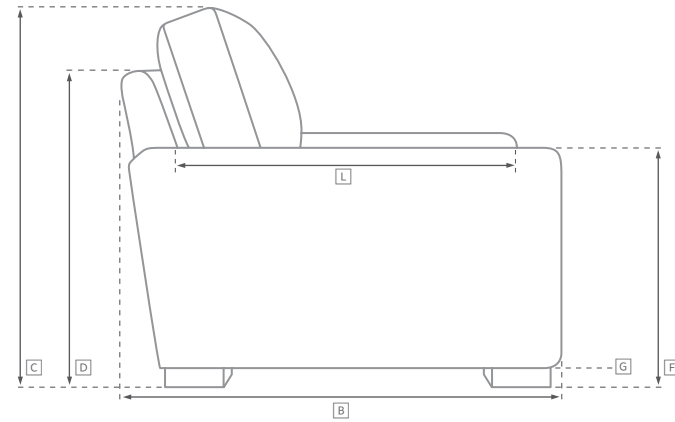
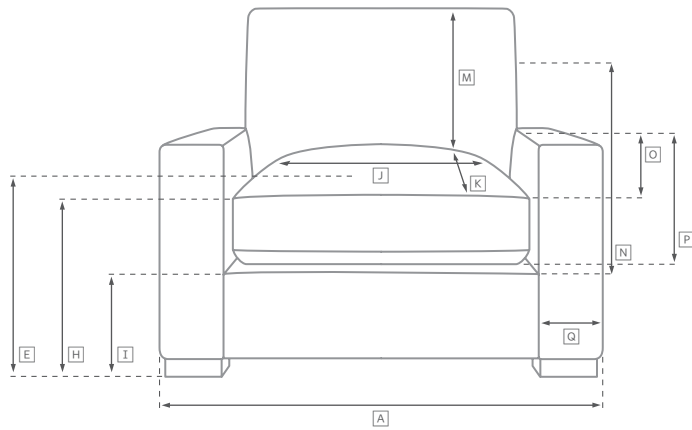
	OVERALL WIDTH [A]	OVERALL DEPTH [B]	OVERALL HEIGHT [C]	FRAME HEIGHT [D]	SEAT HEIGHT [E]	ARM HEIGHT [F]	FOOT HEIGHT [G]	SEAT HEIGHT (FLOOR TO CUSHION SEAM) [H]	SEAT HEIGHT (FLOOR TO FRAME) [I]	INSIDE SEAT WIDTH [J]	INSIDE SEAT DEPTH W/ BACK CUSHION [K]	INSIDE SEAT DEPTH W/O BACK CUSHION [L]	INSIDE BACK HEIGHT W/ SEAT & BACK CUSHIONS [M]	INSIDE BACK HEIGHT W/ SEAT CUSHION [N]	INSIDE BACK HEIGHT W/O SEAT OR BACK CUSHION [O]	# OF BACK CUSHIONS	# OF SEAT CUSHIONS	ACCENT PILLOWS	ARM HEIGHT W/ SEAT CUSHION [P]	ARM HEIGHT W/O SEAT CUSHION [Q]	ARM WIDTH [R]	SLEEPER DEPTH OVERALL [S]	SLEEPER DEPTH INSIDE
9' CLASSIC RIGHT-ARM RETURN SOFA	108	37	31	30	19	23	2	18	12	96	22½	30	12	11	18	4	1	-	4	11	5¾	-	-
9' LUXE LEFT-ARM RETURN SOFA	108	42	33	31	20½	24	2	18	12	96	26	35	12½	10½	19	4	1	-	3½	12	5¾	-	-
9' LUXE RIGHT-ARM RETURN SOFA	108	42	33	31	20½	24	2	18	12	96	26	35	12½	10½	19	4	1	-	3½	12	5¾	-	-
10' CLASSIC LEFT-ARM RETURN SOFA	120	37	31	30	19	23	2	18	12	108	22½	30	12	11	18	4	1	-	4	11	5¾	-	-
10' CLASSIC RIGHT-ARM RETURN SOFA	120	37	31	30	19	23	2	18	12	108	22½	30	12	11	18	4	1	-	4	11	5¾	-	-
10' LUXE LEFT-ARM RETURN SOFA	120	42	33	31	20½	24	2	18	12	108	26	35	12½	10½	19	4	1	-	3½	12	5¾	-	-
10' LUXE RIGHT-ARM RETURN SOFA	120	42	33	31	20½	24	2	18	12	108	26	35	12½	10½	19	4	1	-	3½	12	5¾	-	-
PETTE LEFT-ARM CHAISE	28	65	28	28	16½	21½	2	14½	10	24¾	51	58	11½	11½	18	1	1	-	5	11½	3¾	-	-
PETTE RIGHT-ARM CHAISE	28	65	28	28	16½	21½	2	14½	10	24¾	51	58	11½	11½	18	1	1	-	5	11½	3¾	-	-
CLASSIC LEFT-ARM CHAISE	34	71	31	30	19	23	2	18	12	28¾	56½	64	12	11	18	1	1	-	4	11	5¾	-	-
CLASSIC RIGHT-ARM CHAISE	34	71	31	30	19	23	2	18	12	28¾	56½	64	12	11	18	1	1	-	4	11	5¾	-	-
LUXE LEFT-ARM CHAISE	37	74	33	31	20½	24	2	18	12	31¾	58	67	12½	10½	19	1	1	-	3½	12	5¾	-	-
LUXE RIGHT-ARM CHAISE	37	74	33	31	20½	24	2	18	12	31¾	58	67	12½	10½	19	1	1	-	3½	12	5¾	-	-



# UPHOLSTERY DIMENSIONS DIAGRAM

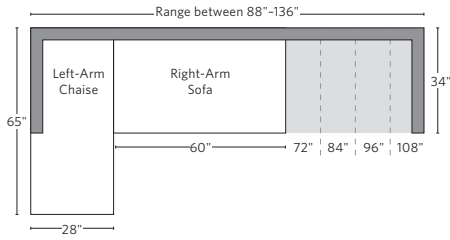
See the "Dimensions Sheet" for the measurements that correspond with the letters below.

RH

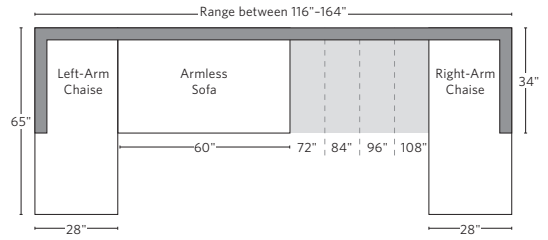


SOFA CHAISE SECTIONAL

Available in left and right-arm configurations.

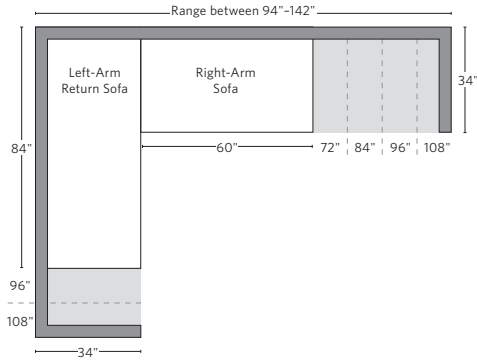


U-CHAISE SECTIONAL



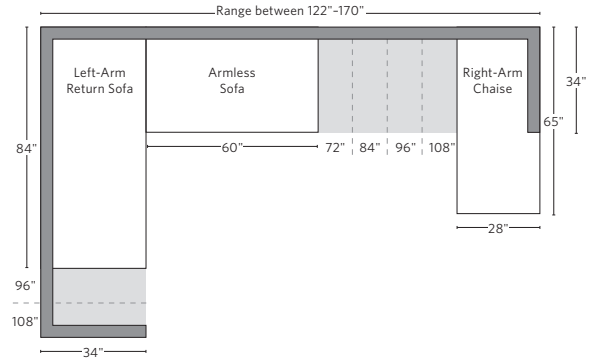
L-SECTIONAL

Available in left and right-arm configurations.

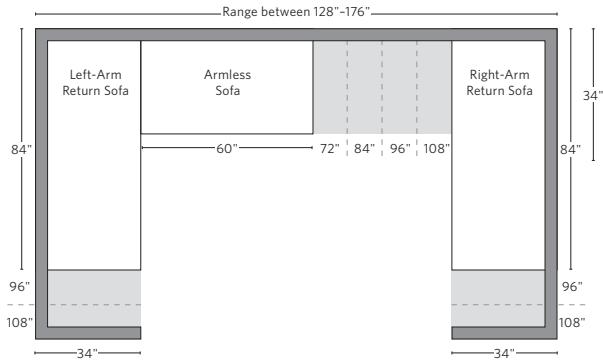


U-SOFA CHAISE SECTIONAL

Available in left and right-arm configurations.



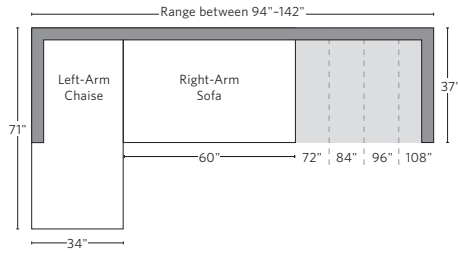
U-SOFA SECTIONAL



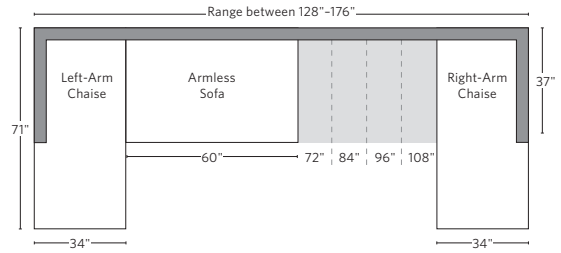
Multiple length options available.

SOFA CHAISE SECTIONAL

Available in left and right-arm configurations.

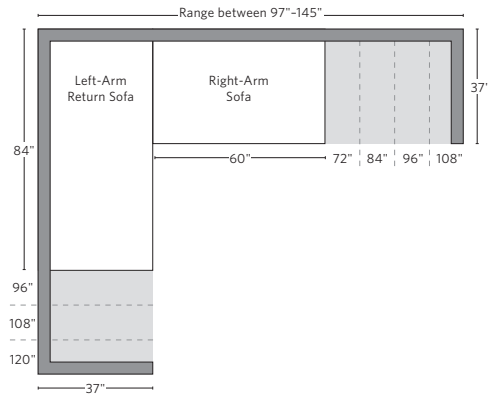


U-CHAISE SECTIONAL



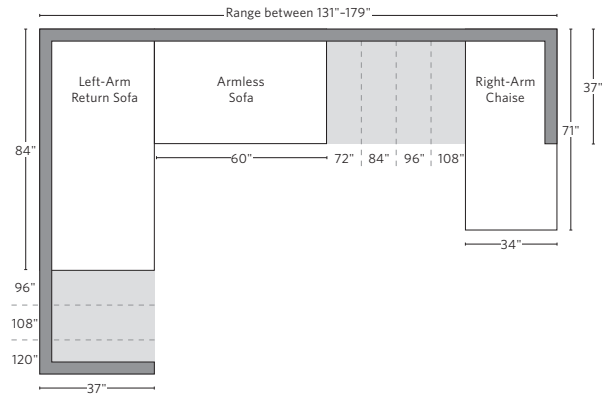
L-SECTIONAL

Available in left and right-arm configurations.

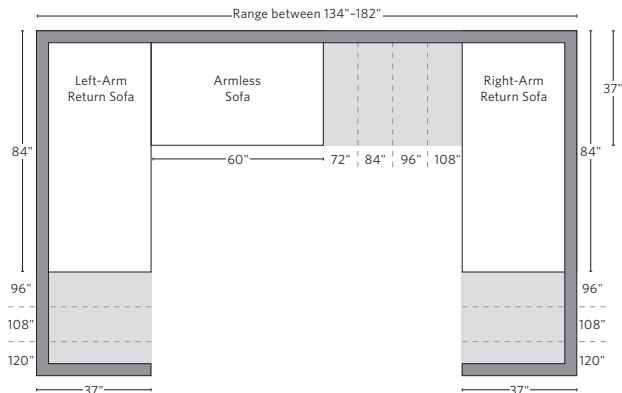


U-SOFA CHAISE SECTIONAL

Available in left and right-arm configurations.



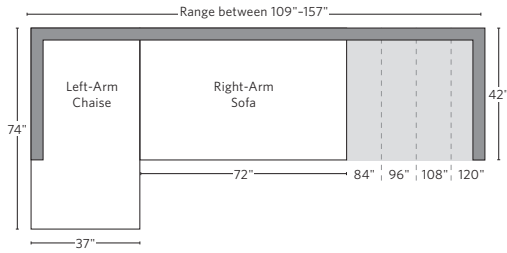
U-SOFA SECTIONAL



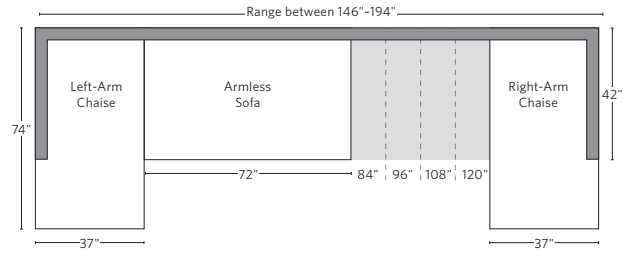
Multiple length options available.

SOFA CHAISE SECTIONAL

Available in left and right-arm configurations.

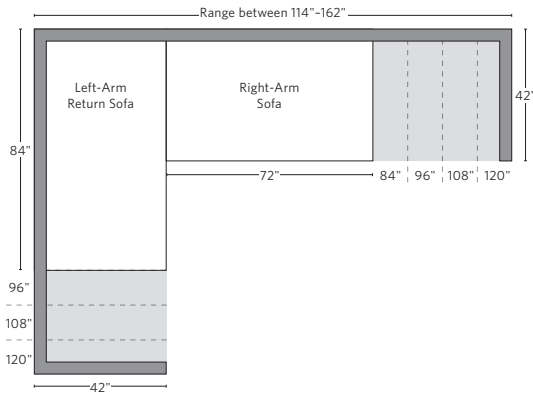


U-CHAISE SECTIONAL



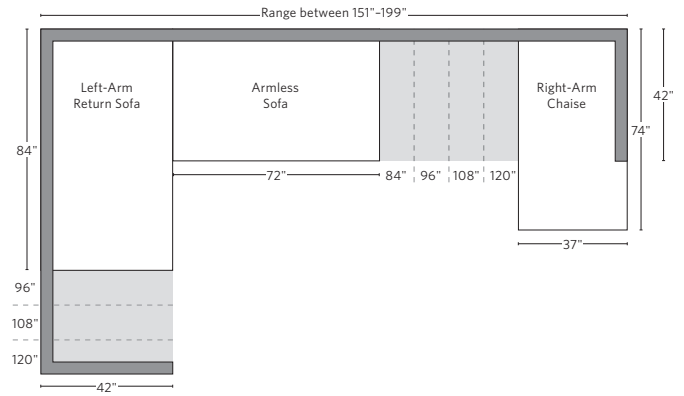
L-SECTIONAL

Available in left and right-arm configurations.

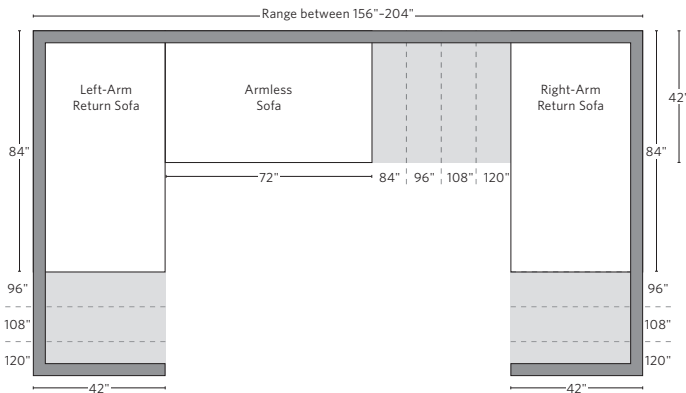


U-SOFA CHAISE SECTIONAL

Available in left and right-arm configurations.



U-SOFA SECTIONAL



Multiple length options available.