

# BELGIAN CLASSIC ROLL ARM COLLECTION



All dimensions are given in inches. See the attached "Dimensions Diagram" sheet for more information on the keys used in this chart.

	A	B	C	D	E	F	G	H	I	J	K	L		M	N				O	P	Q	R	S
	OVERALL WIDTH	OVERALL DEPTH	OVERALL HEIGHT	FRAME HEIGHT	SEAT HEIGHT	ARM HEIGHT	FOOT HEIGHT	SEAT HEIGHT (FLOOR TO CUSHION SEAM)	SEAT HEIGHT (FLOOR TO FRAME)	INSIDE SEAT WIDTH	INSIDE SEAT DEPTH W/ BACK CUSHION	INSIDE SEAT DEPTH W/O BACK CUSHION	INSIDE BACK HEIGHT W/ SEAT & BACK CUSHIONS	INSIDE BACK HEIGHT W/ SEAT CUSHION	INSIDE BACK HEIGHT W/O SEAT OR BACK CUSHION	# OF BACK CUSHIONS	# OF SEAT CUSHIONS	ACCENT PILLOWS	ARM HEIGHT W/ SEAT CUSHION	ARM HEIGHT W/O SEAT CUSHION	ARM WIDTH	SLEEPER DEPTH OVERALL	SLEEPER DEPTH INSIDE
5' CLASSIC SOFA	60	41	33	33	19	23	2	18	12	48	21	26	13	13	21	1	1	0	4	11	6	-	-
5' LUXE SOFA	60	46	36	36	20	23	2	18	12	48	27	32	16	16	27	1	1	0	3	11	6	-	-
6' CLASSIC SOFA	72	41	33	33	19	23	2	18	12	60	21	26	13	13	21	2	1	0	4	11	6	-	-
6' LUXE SOFA	72	46	36	36	20	23	2	18	12	60	27	32	16	16	27	2	1	0	3	11	6	-	-
7' CLASSIC SOFA	84	41	33	33	19	23	2	18	12	72	21	26	13	13	21	2	1	0	4	11	6	-	-
7' LUXE SOFA	84	46	36	36	20	23	2	18	12	72	27	32	16	16	27	2	1	0	3	11	6	-	-
7' LUXE SLEEPER SOFA	84	46	36	36	20	23	2	18	12	72	27	32	16	16	27	2	1	0	3	11	6	95	61
8' CLASSIC SOFA	96	41	33	33	19	23	2	18	12	84	21	26	13	13	21	3	1	0	4	11	6	-	-
8' LUXE SOFA	96	46	36	36	20	23	2	18	12	84	27	32	16	16	27	3	1	0	3	11	6	-	-
8' LUXE SLEEPER SOFA	96	46	36	36	20	23	2	18	12	84	27	32	16	16	27	3	1	0	3	11	6	95	61
9' CLASSIC SOFA	108	41	33	33	19	23	2	18	12	96	21	26	13	13	21	3	1	0	4	11	6	-	-
9' LUXE SOFA	108	46	36	36	20	23	2	18	12	96	27	32	16	16	27	3	1	0	3	11	6	-	-
10' CLASSIC SOFA	120	41	33	33	19	23	2	18	12	108	21	26	13	13	21	3	1	0	4	11	6	-	-
10' LUXE SOFA	120	46	36	36	20	23	2	18	12	108	27	32	16	16	27	3	1	0	3	11	6	-	-

# BELGIAN CLASSIC ROLL ARM COLLECTION



All dimensions are given in inches. See the attached "Dimensions Diagram" sheet for more information on the keys used in this chart.

	A	B	C	D	E	F	G	H	I	J	K	L		M	N				O	P	Q	R	S
	OVERALL WIDTH	OVERALL DEPTH	OVERALL HEIGHT	FRAME HEIGHT	SEAT HEIGHT	ARM HEIGHT	FOOT HEIGHT	SEAT HEIGHT (FLOOR TO CUSHION SEAM)	SEAT HEIGHT (FLOOR TO FRAME)	INSIDE SEAT WIDTH	INSIDE SEAT DEPTH W/ BACK CUSHION	INSIDE SEAT DEPTH W/O BACK CUSHION	INSIDE BACK HEIGHT W/ SEAT & BACK CUSHIONS	INSIDE BACK HEIGHT W/ SEAT CUSHION	INSIDE BACK HEIGHT W/O SEAT OR BACK CUSHION	# OF BACK CUSHIONS	# OF SEAT CUSHIONS	ACCENT PILLOWS	ARM HEIGHT W/ SEAT CUSHION	ARM HEIGHT W/O SEAT CUSHION	ARM WIDTH	SLEEPER DEPTH OVERALL	SLEEPER DEPTH INSIDE
CLASSIC ARMLESS SOFA	62	41	33	33	19	-	2	18	12	62	21	26	13	13	21	2	1	0	-	-	-	-	-
LUXE ARMLESS SOFA	63	46	36	36	20	-	2	18	12	63	27	32	16	16	27	2	1	0	-	-	-	-	-
CLASSIC LEFT-ARM SOFA	61	41	33	33	19	23	2	18	12	55	21	26	13	13	21	2	1	0	4	11	6	-	-
LUXE LEFT-ARM SOFA	71	46	36	36	20	23	2	18	12	65	27	32	16	16	27	2	1	0	3	11	6	-	-
CLASSIC RIGHT-ARM SOFA	61	41	33	33	19	23	2	18	12	55	21	26	13	13	21	2	1	0	4	11	6	-	-
LUXE RIGHT-ARM SOFA	71	46	36	36	20	23	2	18	12	65	27	32	16	16	27	2	1	0	3	11	6	-	-
CLASSIC CHAIR	43	41	33	33	19	23	2	18	12	31	21	26	13	13	21	1	1	0	4	11	6	-	-
LUXE CHAIR	43	46	36	36	20	23	2	18	12	31	27	32	16	16	27	1	1	0	3	11	6	-	-
CLASSIC SWIVEL CHAIR	43	41	33	33	19	23	2	18	12	31	21	26	13	13	21	1	1	0	4	11	6	-	-
LUXE SWIVEL CHAIR	43	46	36	36	20	23	2	18	12	31	27	32	16	16	27	1	1	0	3	11	6	-	-
CLASSIC CHAIR-AND-A-HALF	50	41	33	33	19	23	2	18	12	37	21	26	14	14	21	1	1	0	4	11	6	-	-
LUXE CHAIR-AND-A-HALF	50	46	36	36	20	23	2	18	12	37	27	32	16	16	24	1	1	0	3	11	6	-	-
CLASSIC ARMLESS CHAIR	38	41	33	33	19	-	2	18	12	38	21	26	13	13	21	1	1	0	-	-	-	-	-
LUXE ARMLESS CHAIR	43	46	36	36	20	-	2	18	12	43	27	32	16	16	27	1	1	0	-	-	-	-	-

# BELGIAN CLASSIC ROLL ARM COLLECTION



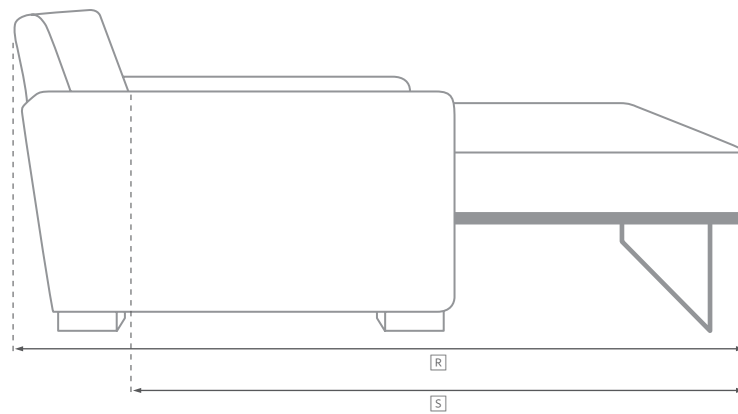
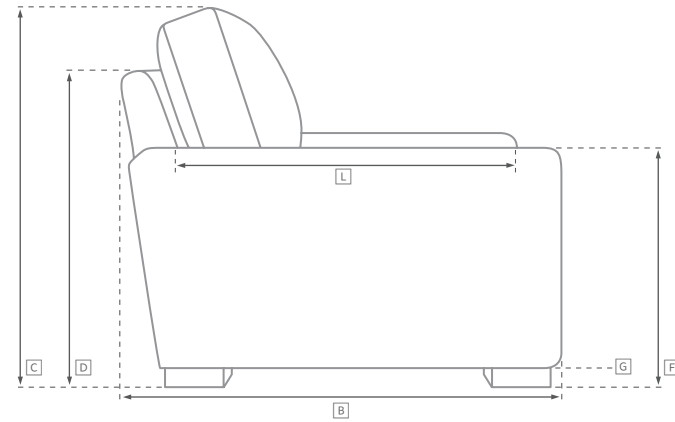
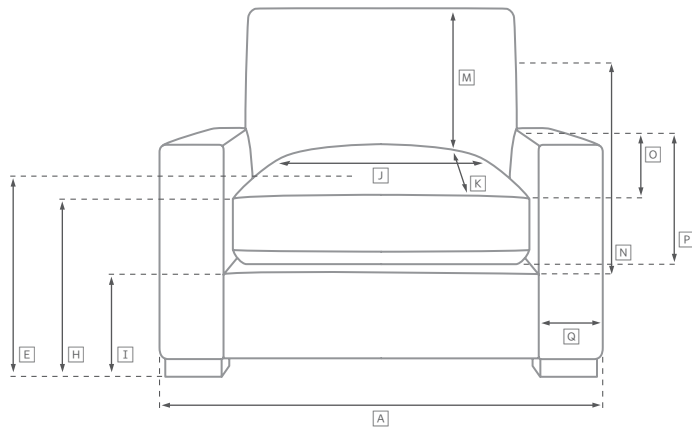
All dimensions are given in inches. See the attached "Dimensions Diagram" sheet for more information on the keys used in this chart.

	A	B	C	D	E	F	G	H	I	J	K	L		M	N				O	P	Q	R	S
	OVERALL WIDTH	OVERALL DEPTH	OVERALL HEIGHT	FRAME HEIGHT	SEAT HEIGHT	ARM HEIGHT	FOOT HEIGHT	SEAT HEIGHT (FLOOR TO CUSHION SEAM)	SEAT HEIGHT (FLOOR TO FRAME)	INSIDE SEAT WIDTH	INSIDE SEAT DEPTH W/ BACK CUSHION	INSIDE SEAT DEPTH W/O BACK CUSHION	INSIDE BACK HEIGHT W/ SEAT & BACK CUSHIONS	INSIDE BACK HEIGHT W/ SEAT CUSHION	INSIDE BACK HEIGHT W/O SEAT OR BACK CUSHION	# OF BACK CUSHIONS	# OF SEAT CUSHIONS	ACCENT PILLOWS	ARM HEIGHT W/ SEAT CUSHION	ARM HEIGHT W/O SEAT CUSHION	ARM WIDTH	SLEEPER DEPTH OVERALL	SLEEPER DEPTH INSIDE
CLASSIC CORNER CHAIR	41	41	33	33	19	-	2	18	12	41	21	26	13	13	21	2	1	0	-	-	-	-	-
LUXE CORNER CHAIR	46	46	36	36	20	-	2	18	12	46	27	32	16	16	27	2	1	0	-	-	-	-	-
CHAISE	43	72	36	36	20	23	2	18	12	31	27	32	16	16	27	1	1	0	3	11	6	-	-
CLASSIC LEFT-ARM CHAISE	35	68	33	33	19	23	2	18	12	29	21	26	13	13	21	1	1	0	4	11	6	-	-
LUXE LEFT-ARM CHAISE	40	78	36	36	20	23	2	18	12	34	27	32	16	16	27	1	1	0	3	11	6	-	-
CLASSIC RIGHT-ARM CHAISE	35	68	33	33	19	23	2	18	12	29	21	26	13	13	21	1	1	0	4	11	6	-	-
LUXE RIGHT-ARM CHAISE	40	78	36	36	20	23	2	18	12	34	27	32	16	16	27	1	1	0	3	11	6	-	-
DAYBED	96	60	36	33	19	23	2	18	12	84	27	26	13	13	21	3	1	0	3	11	6	-	-
OTTOMAN	43	29	19	19	19	-	2	18	12	43	-	-	-	-	-	0	1	0	-	-	-	-	-

# UPHOLSTERY DIMENSIONS DIAGRAM

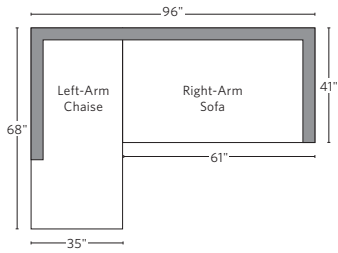
See the "Dimensions Sheet" for the measurements that correspond with the letters below.

RH

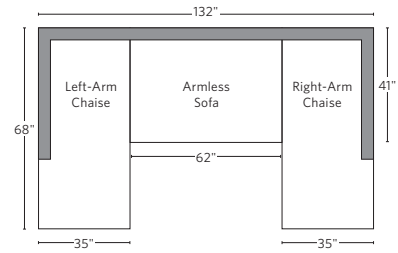


**SOFA CHAISE SECTIONAL**

Available in left and right-arm configurations.

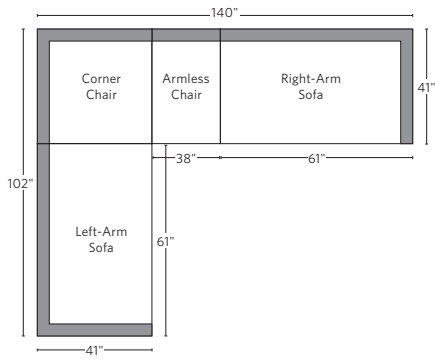


**U-CHAISE SECTIONAL**

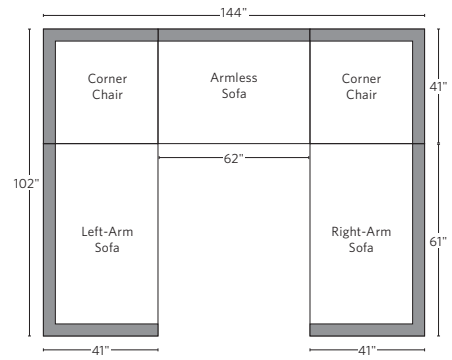


**L-SECTIONAL**

Available in left and right-arm configurations.

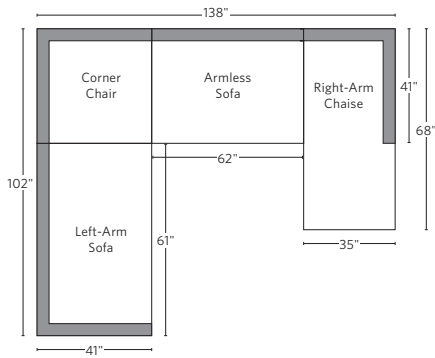


**U-SOFA SECTIONAL**



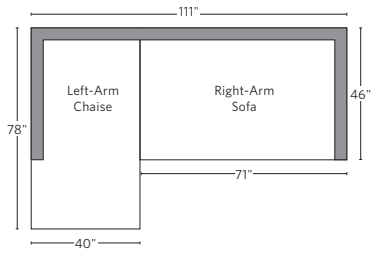
**U-SOFA CHAISE SECTIONAL**

Available in left and right-arm configurations.

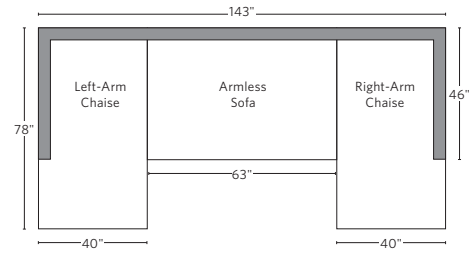


**SOFA CHAISE SECTIONAL**

Available in left and right-arm configurations.

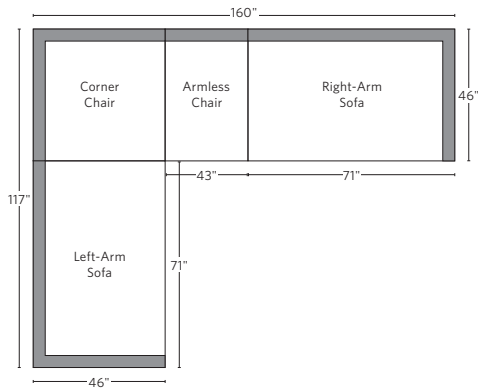


**U-CHAISE SECTIONAL**

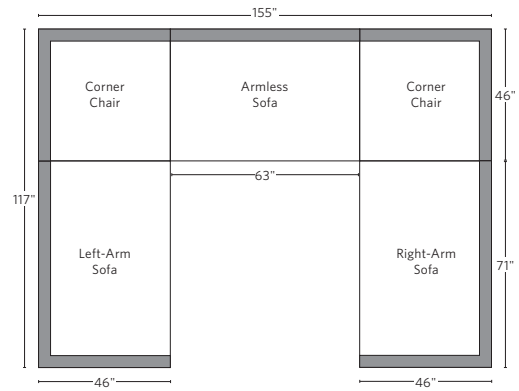


**L-SECTIONAL**

Available in left and right-arm configurations.



**U-SOFA SECTIONAL**



**U-SOFA CHAISE SECTIONAL**

Available in left and right-arm configurations.

